

Polyethylene



Disclaimer

Information in the catalog

GF Central Plastics is as diligent as possible in compiling and updating the information in its catalog. However, GF Central Plastics does not guarantee the correctness and completeness of the information provided in its catalog. Equally, GF Central Plastics does not guarantee that this information is up to date. Drawings dimensions and weights, unless otherwise noted by tolerances, should be considered for reference only and may not reflect the exact physical measurements of the parts. For questions concerning our products, their specifications and their utilization please contact your local Regional Sales Manager or Customer Service Representative of GF Central Plastics. For comments concerning the product catalog, please email gfccentralmarketing@georgfischer.com.

Conventional Fusion: General Product Information

Due to the unique material characteristics of polyethylene, heat fusion allows successful joining of pipe and fittings into a single leak-free system with no connections to corrode or loosen.

“The basic principle of heat fusion (in this case butt, saddle or socket fusion) is to heat and melt the joint surfaces and force the melted surfaces together, which causes the materials to mix and fuse into a monolithic joint.” **AWWA PE Pipe - Design and Installation, Manual of Water Supply Practices M55**

GF Central Plastics has been actively involved in the research and development of innovative joining methods for polyethylene piping systems since the early 1960's. Recognized as an industry leader in the world of manufactured Polyethylene (PE) fittings; GF Central Plastics offers our customers the broadest and most complete line of Butt, Saddle, and Socket fusion fittings. All designed, manufactured and tested in Shawnee, Oklahoma under ISO 9001 standards and serviced by an experienced staff of the most knowledgeable and customer friendly professionals you could hope to find.

Bringing unrivaled knowledge, experience and manufacturing capabilities to industries throughout the world, GF Central Plastics delivers innovative and cost effective pipe joining solutions right to your door step. Servicing the polyethylene fitting needs in natural gas, potable water, municipal wastewater, oil and gas gathering, mining, landfill, telecommunications, geothermal, irrigation and other industries; GF Central Plastics is helping to ensure that your conventional fusion job is done right - the first time.

With an extensive and state of the art in-house testing facility, GF Central Plastics performs the following tests on all of our Butt, Saddle, and Socket fittings.

- ASTM D 1599 - Minimum Hydraulic Burst Pressure Test.
- ASTM D 1598 - Sustained Pressure Test Results.
- ASTM D638 Tensile Strength Test.
- PE3408/PE4710 Fittings are tested to the requirements of AWWA C906 (where applicable)
- PE3408/PE4710 FM Tested and Approved (where applicable)

Conventional Fusion: Allowable Operating Pressures

The following charts represent the **Allowable Operating Pressure** for fittings manufactured from three grades of polyethylene resin used in our products. These values represent the most common **Standard Dimension Ratios (SDR)** used in the industries that we service and are further divided based on the design factors determined by each of their related governing authorities.

- .32 for natural gas distribution systems regardless of resin used
- .50 for water applications for PE3408 resins
- .63 for water applications for PE4710 resins

} All design factors are assuming a standard operating temperature of 73°F

NOTE: For other fluids, temperatures, chemicals and environmental considerations additional design factors may be required. (i.e. Canadian gas utilities use a .40 design factor for their natural gas applications.)

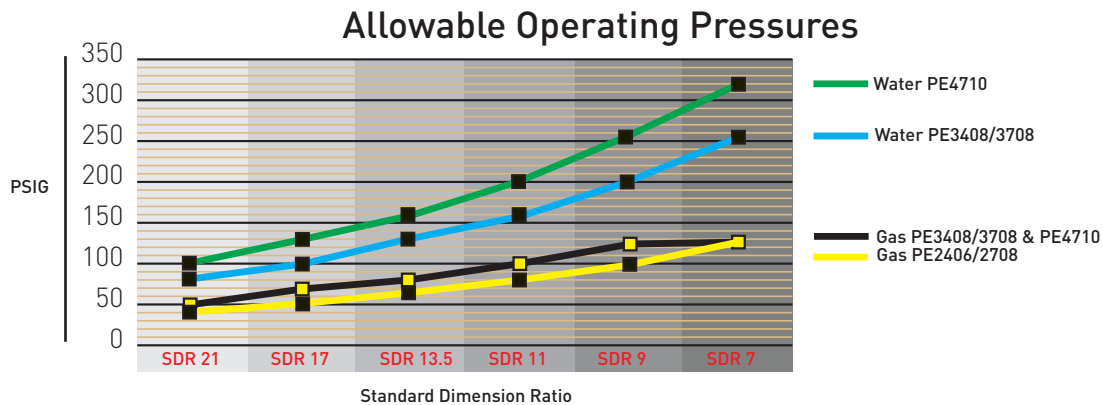
DOT Allowable Operating Pressure for Natural Gas Plastic Pipe Systems

.32 design factor @ 73°F			
SDR	PE2406/ PE2708 DOT Allowable	PE3408 DOT Allowable	PE4710 DOT Allowable
21	40	50	50
17	50	64	64
13.5	64	80	80
11	80	100	100
9	100	125**	125**
7	125**	125**	125**

** DOT Regulations only allow a 125 psig max for natural gas plastic pipe systems regardless of the materials Maximum Allowable Operating Pressure (MAOP).

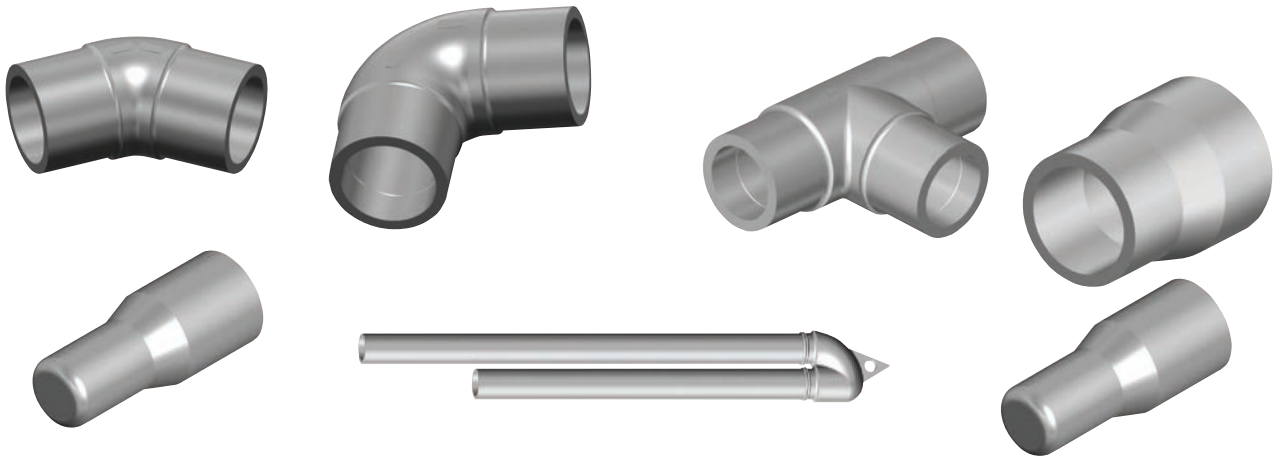
Allowable Operating Pressure for Municipal & Industrial Applications

SDR	PE3408 .50 design factor @ 73°F	PE4710 .63 design factor @ 73°F
21	80	100
17	100	130
13.5	130	160
11	160	200
9	200	255
7	265	335



NOTE: Operating Pressure for Conventional Tapping Tees and Conventional Branch Saddles are determined by the material used, the outlet SDR and the governing regulations.

Conventional Fusion: Butt Fusion Fittings



GF Central Plastics' Molded PE2406/PE2708 Butt fittings are manufactured and tested to the requirements of ASTM D2513 and ASTM D3261 and are sized for use with pipe conforming to ASTM D2513 and with Butt fittings conforming to ASTM D3261. GF Central Plastics' PE2406/PE2708 Butt fittings are molded from a virgin yellow medium density resin in accordance with the material specifications listed in ASTM D3350 with a designation of PE2406/PE2708. All GF Central Plastics' PE2406/PE2708 Butt Fittings are compatible for heat fusion with any pipe or fitting manufactured from a like or similar resin. GF Central Plastics' PE2406/PE2708 fittings have been qualified for fusion using PPI generic fusion procedures.

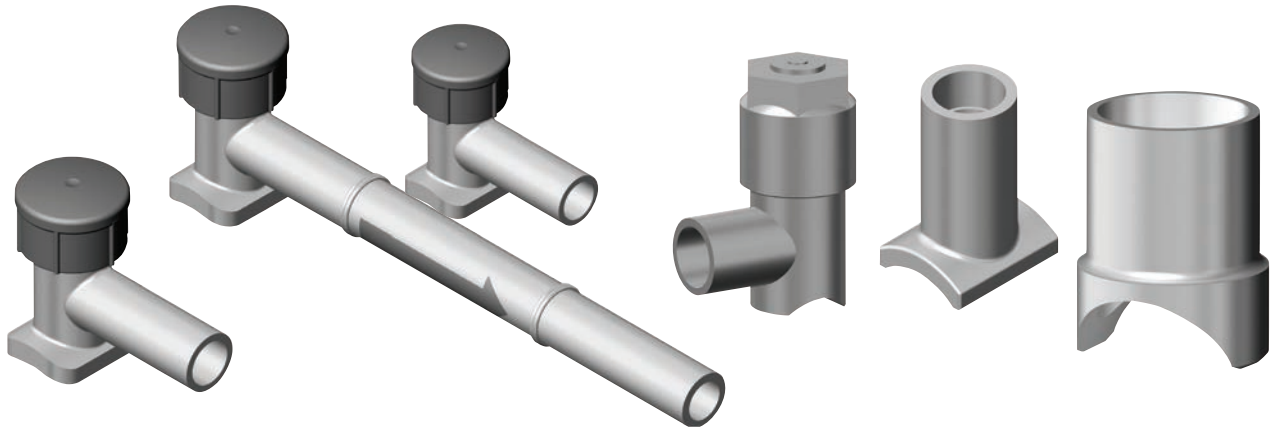
GF Central Plastics' Molded PE3408/PE4710 Butt fittings are manufactured and tested to the requirements of ASTM D2513, ASTM D3261, and ANSI/AWWA C906 for use with outside diameter controlled pipe and fittings conforming to ASTM D2513, ASTM D3035, ASTM F-714. GF Central Plastics' PE3408/PE4710 Butt fittings are molded from an NSF listed resin in accordance with the material specifications listed in ASTM D3350 with a

designation of PE3408/PE4710. GF Central Plastics' PE3408/PE4710 Butt fittings are manufactured and tested to the requirements of ASTM D2513 and ASTM D3261 (where applicable) and are compatible for heat fusion with any pipe and or fitting manufactured from a like or similar resin. GF Central Plastics' PE3408/PE4710 fittings have been qualified for fusion using PPI generic fusion procedures.

Features

- Pressure rated for natural gas and potable water applications.
- IAPMO Approved (where applicable).
- CSA Approved (where applicable).
- PE3408/PE4710 FM Approved (where applicable).
- PE3408/PE4710 fittings are tested to the requirements of AWWA C906.
- Can be joined by butt, socket, electrofusion or mechanical methods.
- Can be heat fused with all conventional and electrofusion fusion methods.

Conventional Fusion: Saddle Fusion Fittings



GF Central Plastics' Molded PE2406/PE2708 Side-Wall Tapping Tees, Service Saddles, and Branch Saddles are manufactured and tested to the requirements of ASTM D2513 and ASTM D3261 and are sized for use with pipe conforming to ASTM D2513 and with Butt fittings conforming to ASTM D3261 as applicable. GF Central Plastics' PE2406/PE2708 Side-Wall Tapping Tees, Service Saddles and Branch Saddles are molded from a virgin yellow medium density resin in accordance with the material specifications listed in ASTM D3350. All GF Central Plastics' PE2406/PE2708 Side-Wall Tapping Tees, Service Saddles and Branch Saddles are compatible for side-wall fusion with any pipe or fitting manufactured from a like or similar resin. GF Central Plastics' PE2406/PE2708 fittings have been qualified for fusion using PPI generic fusion procedures.

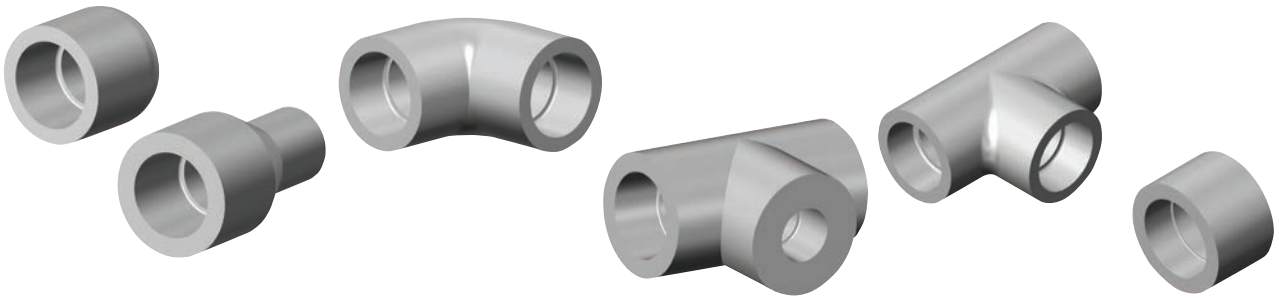
GF Central Plastics' Molded PE3408/PE4710 Side-Wall Tapping Tees, Service Saddles, and Branch Saddles are manufactured and tested to the requirements of ASTM D2513, ASTM D3261 and ANSI/AWWA C906 for use with outside diameter controlled pipe and fittings conforming to ASTM D2513, ASTM D3035, ASTM F-714 and with Butt fittings conforming to ASTM D3261. GF Central Plastics' PE3408/PE4710 Side-Wall Tapping Tees, Service Saddles and Branch Saddles are molded from an NSF listed resin

in accordance with the material specifications listed in ASTM D3350. All GF Central Plastics' PE3408/PE4710 Side-Wall Tapping Tees, Service Saddles, and Branch Saddles are manufactured and tested to the requirements of ASTM D2513 and ASTM D3261 (where applicable) and are compatible for side-wall fusion with any pipe and or fitting manufactured from a like or similar resin. GF Central Plastics' PE3408/PE4710 fittings have been qualified for fusion using PPI generic fusion procedures.

Features

- Pressure rated for natural gas and potable water applications.
- IAPMO Approved (where applicable).
- CSA Approved (where applicable).
- PE3408/PE4710 are tested to the requirements of AWWA C906.
- Can be heat fused to pipe wall using conventional side-wall fusion methods.
- Outlets can be heat fused using conventional and electrofusion fusion methods.

Conventional Fusion: Socket Fusion Fittings



GF Central Plastics' Molded PE2406/PE2708 Socket Fusion fittings are manufactured and tested to the requirements of ASTM D2513 and ASTM D2683 and are sized for use with pipe conforming to ASTM D2513. GF Central Plastics' PE2406/PE2708 Socket fittings are molded from a virgin yellow medium density resin in accordance with the material specifications listed in ASTM D3350. All GF Central Plastics' PE2406/PE2708 Socket Fusion Fittings are compatible for heat fusion with any pipe or fitting manufactured from a like or similar resin. GF Central Plastics' PE2406/PE2708 fittings have been qualified for fusion using ASTM D2657 generic fusion procedures.

GF Central Plastics' Molded PE3408/PE4710 Socket Fusion fittings are fully manufactured and tested to the requirements of ASTM D2513 and ASTM D2683 and are manufactured for use with outside diameter controlled

pipe and fittings conforming to ASTM D2513 and ASTM F-714. GF Central Plastics' PE3408/PE4710 Socket fittings are molded from a virgin black high density resin in accordance with the material specifications listed in ASTM D3350. All GF Central Plastics' PE3408/PE4710 Fusion fittings are manufactured and tested to the requirements of ASTM D2513 and ASTM D2683 and are compatible for heat fusion with any pipe and or fitting manufactured from a like or similar resin. GF Central Plastics' PE3408/PE4710 fittings have been qualified for fusion using ASTM D2657 generic fusion procedures.

Features

- Pressure ratings up to SDR7 on most sizes.
- IAPMO Approved (where applicable).
- CSA Approved (where applicable).
- Can be used with all socket fusion methods.

Conventional Fusion: PE Adapters



GF Central Plastics' PE3408/PE4710 Flange Adapters and MJ Adapters are manufactured and tested to the requirements of ASTM D3261 and ASTM D3261 and ANSI/AWWA C906 for use with pipe conforming to ASTM D2513/3035, F-714 and with Butt fittings conforming to ASTM D3261 as applicable. GF Central Plastics' PE3408/PE4710 Flange Adapters and MJ Adapters are molded from an NSF listed resin in accordance with the material specifications listed in ASTM D3350. All GF Central Plastics' PE3408/PE4710 Flange Adapters and MJ Adapters are compatible for heat fusion with any pipe or fitting manufactured from a like or similar resin.

Features

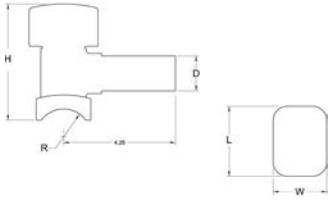
- Pressure rated for municipal and trial applications.
- PE3408/PE4710 FM Approved (where applicable)..
- PE3408/PE4710 fittings are tested to the requirements of AWWA C906.
- Can be heat fused using conventional and electrofusion fusion methods.
- Can be beveled for butterfly valves when requested.
- MJ Adapters can be provided with stiffeners when requested.

Table of Contents

Polyethylene

Side Wall Fittings		
	Tapping Tees	4
	Branch Saddles	32
Butt Fittings		
	Caps	46
	Purge Points, Geo-Loops	51
	Butt Elbows, Tees, Reducers	54
Saddle Fittings		
	Service Saddles	70
Socket Fittings		
	Couplings	80
	Elbows	81
	Tees	82
	Reducers	83
	End Caps	87
Adapters		
	Gasketed	90
	Flange	91
	MJ	100
Waterstops, Thrust Isolators, Wall Anchors		107
Line Crosses		109
Fabricated Fittings		
	Tapping Tools	112
	Flange Adapters	113
	MJ Adapters	115
	Tees, Reducers, Elbows	116
	WYE	130
Index		132

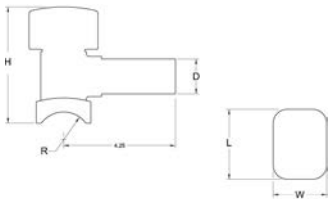
Series-B Tapping Tees



TAPPING TEES: Series-B PE3408/PE4710 Brass

- Approval: ASTM D2513/D3261
 - Approval: AWWA C906
- Please call for more information on availability, pricing, other sizes and dimensions.

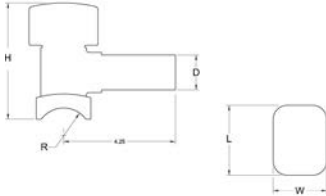
Size (inch)	GFCP Part No.	GF Part No.	weight (lb)	Box Qty
2" IPS x 1/2" CTS, .090	10011669	360 023 224	0.000	80
2" IPS x 1" CTS, .101	10005186	360 002 685	0.551	80
3" IPS x 1/2" CTS	10011668	360 023 298	0.683	80
3" IPS x 1/2" IPS	10005184	360 002 708	0.705	80
3" IPS x 1" CTS, .101	10005182	360 002 718	0.617	80
4" IPS x 1/2" IPS	10005170	360 002 734	0.705	80
4" IPS x 3/4" IPS, DR11	10009932	360 003 635	0.926	80
4" IPS x 1" CTS, .101	10007936	360 003 637	0.529	80
6" IPS x 1/2" IPS	10005119	360 002 756	0.705	80
6" IPS x 1" CTS, .101	10007935	360 003 638	0.617	80
6" DIPS x 1" IPS, DR11	10009164	360 002 755	0.705	80
8" DIPS x 1" IPS, DR11	10010065	360 004 293	0.705	80
12" IPS x 1" IPS, DR11	10010248	360 023 217	0.000	80



TAPPING TEES: Series-B PE2406/PE2708 IPS, DR9.3, Stainless

- Approval: ASTM D2513/D3261
- Please call for more information on availability, pricing, other sizes and dimensions.

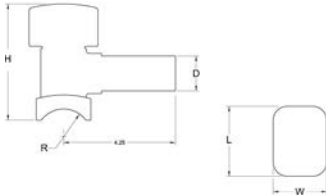
Size (inch)	GFCP Part No.	GF Part No.	weight (lb)	D (inch)	L (inch)	H (inch)	W (inch)	Box Qty
2" IPS x 1" IPS	10005965	360 002 697	0.617					80
3" IPS x 1" IPS	10005972	360 002 723	0.639					10
4" IPS x 1" IPS	10005982	360 002 746	0.639					80
6" IPS x 1/2" IPS	10011510	360 023 419	0.683					80
6" IPS x 1" IPS	10003194	360 002 770	0.595	1	3	4	2	80
6" IPS x 1-1/4" IPS (Trainer)	10001899	360 023 452	0.353					100



TAPPING TEES: Series-B
PE2406/PE2708
IPS, .097, Stainless, Emery

• Approval: ASTM D2513/D3261
 Please call for more information on availability, pricing, other sizes and dimensions.

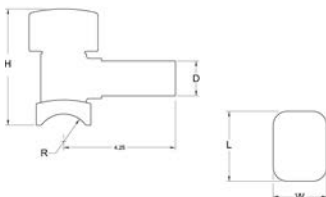
Size (inch)	GFCP Part No.	GF weight Part No.	GF weight (lb)	H (inch)	D (inch)	W (inch)	L (inch)	Box Qty
1-1/4" IPS x 3/4" CTS	10000739	360 002 657	0.683	4	1	2	3	10
2" IPS x 3/4" CTS	6930727	360 002 676	0.639	4	1	2	3	10
3" IPS x 3/4" CTS	10000855	360 002 710	0.705	4	1	2	3	10
4" IPS x 3/4" CTS	10000856	360 002 735	0.617	4	1	2	3	10
6" IPS x 3/4" CTS	10000857	360 002 757	0.551	4	1	2	3	10
8" IPS x 3/4" CTS	10003719	360 002 780	0.750	4	1	2	3	10



TAPPING TEES: Series-B
PE2406/PE2708
IPS, .101, Stainless

• Approval: ASTM D2513/D3261
 Please call for more information on availability, pricing, other sizes and dimensions.

Size (inch)	GFCP Part No.	GF weight Part No.	GF weight (lb)	L (inch)	H (inch)	W (inch)	D (inch)	Box Qty
1-1/4" IPS x 1" CTS	10000740	360 002 662	0.683	3	4	1	1	10
2" IPS x 1" CTS (Trainer)	10001894	360 023 267	0.353					100
2" IPS x 1" CTS	6931251	360 002 687	0.728					80
2" IPS x 1" CTS (Emery)	10001071	360 002 689	0.617	3	4	1	1	10
3" IPS x 1" CTS	10001072	360 002 719	0.772	3	4	1	1	10
4" IPS x 1" CTS (Trainer)	10001895	360 023 381	0.353					100
4" IPS x 1" CTS (Emery)	10001073	360 002 742	0.705	3	4	1	1	10
6" IPS x 1" CTS	10001074	360 002 766	0.750	3	4	1	1	10



TAPPING TEES: Series-B
PE3408/PE4710
IPS, .101, Stainless

• Approval: ASTM D2513/D3261
 Please call for more information on availability, pricing, other sizes and dimensions.

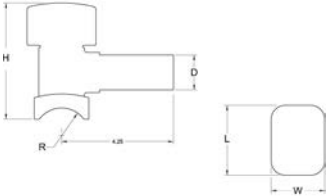
Size (inch)	GFCP Part No.	GF weight Part No.	GF weight (lb)	H (inch)	W (inch)	D (inch)	L (inch)	Box Qty
2" IPS x 1" CTS	10007297	360 002 686	0.595	4	2	1	3	75
6" IPS x 1" CTS	10005122	360 002 765	0.617					80
8" IPS x 1" CTS (Emery)	10003734	360 002 784	0.595	4	1	1	3	80



TAPPING TEES: Series-B
PE3408/PE4710
IPS, .090, Stainless

- Approval: ASTM D2513/D3261
- Please call for more information on availability, pricing, other sizes and dimensions.

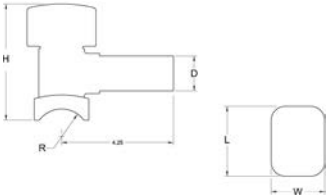
Size (inch)	GFCP Part No.	GF Part No.	weight (lb)	Box Qty
2" IPS x 1/2" CTS (Trainer)	10005210	360 023 223	0.287	100
2" IPS x 1/2" CTS	10005208	360 002 672	0.595	80



TAPPING TEES: Series-B
PE2406/PE2708
IPS, .090, Stainless

- Approval: ASTM D2513/D3261
 - Approval: CSA B137.4
- Please call for more information on availability, pricing, other sizes and dimensions.

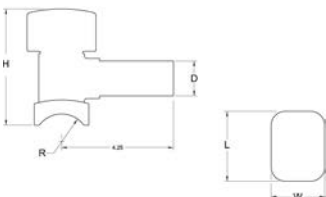
Size (inch)	GFCP Part No.	GF Part No.	weight (lb)	H (inch)	W (inch)	D (inch)	L (inch)	Box Qty
1-1/4" IPS x 1/2" CTS	10011450	360 003 159	0.507	4	2	1	3	10
2" IPS x 1/2" CTS	10011462	360 023 225	0.728					80
2" IPS x 1/2" CTS (Emery)	10000741	360 002 673	0.573	4	2	1	3	10
3" IPS x 1/2" CTS (Emery)	10000854	360 002 707	0.529	4	2	1	3	10
4" IPS x 1/2" CTS	10005976	360 002 732	0.683					80
4" IPS x 1/2" CTS (Emery)	10001070	360 002 733	0.529	4	2	1	3	10
8" IPS x 1/2" CTS (Emery)	10011658	360 023 461	0.595					80

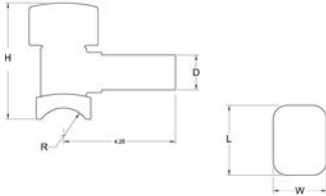


TAPPING TEES: Series-B
PE3408/PE4710
IPS, DR11, Stainless

- Approval: ASTM D2513/D3261
- Please call for more information on availability, pricing, other sizes and dimensions.

Size (inch)	GFCP Part No.	GF Part No.	weight (lb)	H (inch)	D (inch)	W (inch)	L (inch)	Box Qty
2" IPS x 3/4" IPS	10011125	360 023 249	0.617					80
2" IPS x 3/4" IPS (Emery)	10013644	360 029 116	0.617					10
2" IPS x 1" IPS	10005209	360 002 692	0.485	4	1	2	3	80
3" IPS x 3/4" IPS	10011128	360 023 316	0.617					80
3" IPS x 3/4" IPS (Emery)	10013645	360 029 118	0.617					10
3" IPS x 1" IPS	10005172	360 002 721	0.639	4	1	2	3	60
4" IPS x 3/4" IPS	10005951	360 003 634	0.661					80
4" IPS x 3/4" IPS (Emery)	10013808	360 029 120	0.617					10
6" IPS x 3/4" IPS	10011131	360 023 426	0.617					80
6" IPS x 3/4" IPS (Emery)	10013809	360 029 122	0.617					10
6" IPS x 1" CTS (Trainer)	10006198	360 023 445	0.353					80
8" IPS x 3/4" IPS	10013666	360 029 124	0.507					60
8" IPS x 3/4" IPS (Emery)	10013813	360 029 125	0.750					10





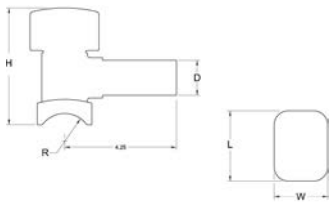
TAPPING TEES: Series-B
PE2406/PE2708
IPS, DR11, Stainless

- Approval: ASTM D2513/D3261
 - *Approval: ASTM D2513/D3261; CSA B137.4
- Please call for more information on availability, pricing, other sizes and dimensions.

<...>	Size (inch)	GFCP Part No.	GF Part No.	weight (lb)
*	1-1/4" IPS x 1" IPS	10002876	360 002 663	0.617
*	2" IPS x 3/4" IPS	10002877	360 002 681	0.551
*	2" IPS x 1" IPS (Trainer)	10001896	360 023 281	0.220
*	2" IPS x 1" IPS	6931252	360 002 694	0.683
*	2" IPS x 1" IPS (Emery)	10002878	360 002 695	0.639
*	2" IPS x 1" IPS (Stops)		360 060 028	0.000
*	3" IPS x 3/4" IPS	10005970	360 002 714	0.617
	3" IPS x 3/4" IPS (Emery)	10012757	360 023 317	0.617
*	3" IPS x 1" IPS	10005971	360 002 722	0.617
*	3" IPS x 1" IPS (Stops)		360 060 029	0.000
	4" IPS x 3/4" IPS (Trainer)	10009591	360 023 364	0.331
*	4" IPS x 3/4" IPS	10011503	360 023 365	0.617
*	4" IPS x 3/4" IPS (Emery)	10002882	360 002 739	0.551
*	4" IPS x 1" IPS (Trainer)	10001897	360 023 389	0.353
*	4" IPS x 1" IPS	10007223	360 002 745	0.750
*	4" IPS x 1" IPS (Stops)		360 060 030	0.000
	6" IPS x 3/4" IPS (Trainer)	10009592	360 023 427	0.331
	6" IPS x 3/4" IPS	10009047	360 002 761	0.529
	6" IPS x 3/4" IPS (Emery)	10012760	360 023 428	0.617
*	6" IPS x 1" IPS	10005987	360 002 769	0.617
*	6" IPS x 1" IPS (Stops)		360 060 031	0.000
	8" IPS x 3/4" IPS	10010108	360 003 577	0.507
	8" IPS x 3/4" IPS (Emery)	10012762	360 023 472	0.750
*	8" IPS x 1" IPS	10005990	360 002 787	0.705
*	8" IPS x 1" IPS (Stops)		360 060 032	0.000
*	8" IPS x 1-1/4" IPS	10001833	360 002 788	1.499

D (inch)	L (inch)	H (inch)	W (inch)	Box Qty
1	3	4	2	10
1	3	4	2	10
				100
				80
1	3	4	2	10
				10
				10
				10
				10
				10
				60
				80
1	3	4	2	10
				100
				75
				10
				60
				10
				10
				80
				10
				60

table continued on the next page



D	L	H	W	Box Qty
(inch)	(inch)	(inch)	(inch)	
				10
				80
				10
				60

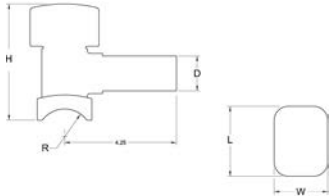
Series-C Tapping Tees



TAPPING TEES: Series-C PE2406/PE2708 IPS, .090, Stainless

- Approval: ASTM D2513
 - Approval: ASTM D3261
- Please call for more information on availability, pricing, other sizes and dimensions.

Size (inch)	GFCP Part No.	GF weight Part No.	weight (lb)
2" IPS x 1/2" CTS	10011464	360 023 227	0.507



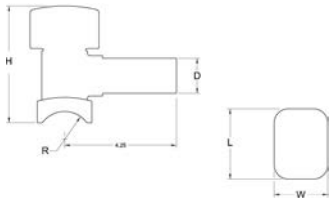
Series-G Tapping Tees

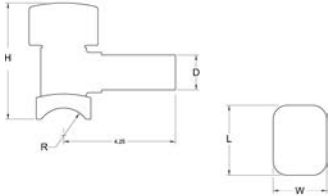


TAPPING TEES: Series-G PE2406/PE2708 IPS, .097, Stainless

- Approval: ASTM D2513/D3261
- Please call for more information on availability, pricing, other sizes and dimensions.

Size (inch)	GFCP Part No.	GF weight Part No.	weight (lb)	Box Qty
3" IPS x 3/4" CTS	10011486	360 023 312	0.000	80
4" IPS x 3/4" CTS	10011500	360 023 354	0.000	80
6" IPS x 3/4" CTS	10011514	360 023 424	0.000	80
8" IPS x 3/4" CTS	10011643	360 023 470	0.000	80

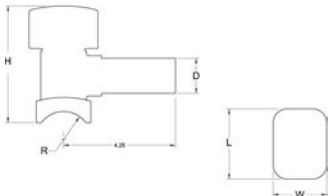




TAPPING TEES: Series-G
PE3408/PE4710
Brass

- Approval: ASTM D2513
 - Approval: ASTM D3261
 - Approval: AWWA C906
- Please call for more information on availability, pricing, other sizes and dimensions.

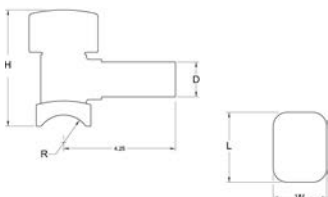
Size (inch)	GFCP Part No.	GF Part No.	GF weight (lb)	A (inch)	H (inch)	D (inch)	W (inch)	Box Qty
12" DIPS x 3/4" CTS, .097	10006031	360 023 214	0.639	3	4	1	3	80
12" DIPS x 1" CTS, .101	10006032	360 023 215	0.639	2	4	1	3	80
12" DIPS x 3/4" CTS, .097	10006033	360 023 216	0.639	3	4	1	3	80
4" DIPS x 3/4" IPS, DR11	10005169	360 023 336	0.000					80
4" DIPS x 1" CTS, .101	10005168	360 023 337	0.639	2	4	1	3	80
6" DIPS x 3/4" CTS, .097	10005115	360 023 405	0.639	3	4	1	3	80
6" DIPS x 3/4" CTS, DR11	10005116	360 023 406	0.000					80
6" DIPS x 1" CTS, .101	10005117	360 023 407	0.661	2	4	1	3	80
8" DIPS x 3/4" CTS, .097	10005133	360 023 455	0.639	3	4	1	3	80
8" DIPS x 3/4" IPS, DR11	10005134	360 023 456	0.000					80
8" DIPS x 1" CTS, .101	10005135	360 023 457	0.617	2	4	1	3	80



TAPPING TEES: Series-G
PE2406/PE2708
IPS, .121, Stainless

- Approval: ASTM D2513/D3261
- Please call for more information on availability, pricing, other sizes and dimensions.

Size (inch)	GFCP Part No.	GF Part No.	GF weight (lb)	Box Qty
3" IPS x 1" CTS	6930396	360 023 328	0.000	80
4" IPS x 1" CTS	6930405	360 023 386	0.000	80
6" IPS x 1" CTS	6930416	360 023 444	0.000	80
8" IPS x 1" CTS	6930425	360 023 485	0.000	80



TAPPING TEES: Series-G
PE2406/PE2708
IPS, .101, Stainless

- Approval: ASTM D2513/D3261
- Please call for more information on availability, pricing, other sizes and dimensions.

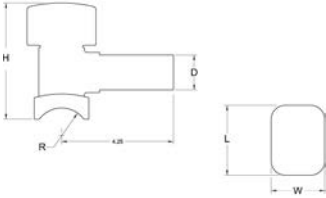
Size (inch)	GFCP Part No.	GF Part No.	GF weight (lb)	Box Qty
3" IPS x 1" CTS	6930397	360 023 326	0.000	80
4" IPS x 1" CTS	6930406	360 023 384	0.000	80
6" IPS x 1" CTS	6930417	360 023 442	0.000	80
8" IPS x 1" CTS	6930426	360 023 484	0.000	80



TAPPING TEES: Series-G
PE2406/PE2708
IPS, .090, Stainless

• Approval: ASTM D2513/D3261
 Please call for more information on availability, pricing, other sizes and dimensions.

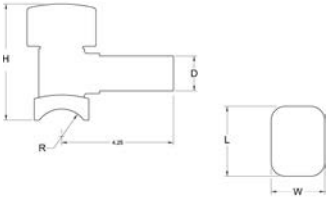
Size (inch)	GFCP Part No.	GF Part No.	weight (lb)	Box Qty
3" IPS x 1/2" CTS	10011481	360 023 304	0.000	80
4" IPS x 1/2" CTS	10011493	360 023 346	0.000	80
6" IPS x 1/2" CTS	10011508	360 023 415	0.000	80
8" IPS x 1/2" CTS	10011642	360 023 463	0.000	80



TAPPING TEES: Series-G
PE2406/PE2708
IPS, DR11, Stainless

• Approval: ASTM D2513/D3261
 Please call for more information on availability, pricing, other sizes and dimensions.

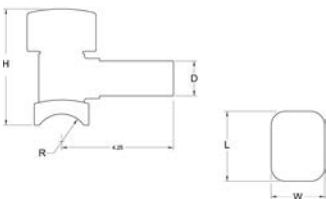
Size (inch)	GFCP Part No.	GF Part No.	weight (lb)	Box Qty
3" IPS x 3/4" IPS	10011640	360 023 319	0.000	80
3" IPS x 1" IPS	6930402	360 023 332	0.000	80
4" IPS x 3/4" IPS	10011641	360 023 368	0.000	80
4" IPS x 1" IPS	6930411	360 023 396	0.000	80
6" IPS x 3/4" IPS	10011516	360 023 432	0.617	80
6" IPS x 1" IPS	6930422	360 023 449	0.000	80
8" IPS x 3/4" IPS	10011646	360 023 474	0.000	80
8" IPS x 1" IPS	6930431	360 023 489	0.000	80



TAPPING TEES: Series-G
PE2406/PE2708
IPS, DR9.3, Stainless

• Approval: ASTM D2513/D3261
 Please call for more information on availability, pricing, other sizes and dimensions.

Size (inch)	GFCP Part No.	GF Part No.	weight (lb)	Box Qty
3" IPS x 1/2" IPS	10011484	360 023 310	0.000	80
3" IPS x 3/4" IPS	10011489	360 023 324	0.000	80
3" IPS x 1" IPS	6930401	360 023 334	0.000	80
4" IPS x 1/2" IPS	10011498	360 023 354	0.000	80
4" IPS x 3/4" IPS	10011506	360 023 375	0.000	80
4" IPS x 1" IPS	6930410	360 023 399	0.000	80
6" IPS x 1/2" IPS	10011512	360 023 421	0.000	80
6" IPS x 3/4" IPS	10011518	360 023 438	0.000	80
6" IPS x 1" IPS	6930421	360 023 451	0.000	80
8" IPS x 1/2" IPS	10011644	360 023 468	0.000	80
8" IPS x 3/4" IPS	10011645		0.000	80
8" IPS x 1" IPS	6930430	360 023 491	0.000	80



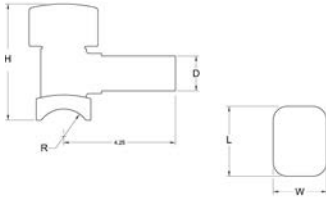
Series-D Tapping Tees



TAPPING TEES: Series-D PE3408/PE4710 IPS, DR11, Stainless

- Approval: ASTM D2513
 - Approval: ASTM D3261
- Please call for more information on availability, pricing, other sizes and dimensions.

Size (inch)	GFCP Part No.	GF Part No.	weight (lb)	Box Qty
1-1/4" IPS x 1" IPS	10013307	360 023 196	0.000	80
2" IPS x 3/4" IPS	10013288	360 023 252	0.000	80
2" IPS x 1" IPS	10007706	360 023 283	0.728	80
4" IPS x 1" IPS	10013306	360 023 392	0.529	80



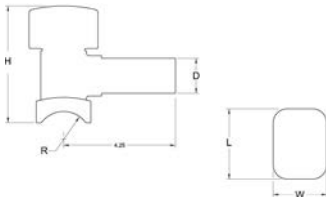
Series-E Tapping Tees



TAPPING TEES: Series-E PE2406/PE2708 IPS, .090, Stainless

- Please call for more information on availability, pricing, other sizes and dimensions.
- Approval: ASTM D2513/D3261

Size (inch)	GFCP Part No.	GF Part No.	weight (lb)
1-1/4" IPS x 1/2" CTS (Trainer)	6930672	360 023 178	0.000
1-1/4" IPS x 1/2" CTS	6930662	360 023 179	0.617
1-1/2" IPS x 1/2" CTS	10011456	360 023 204	0.000
2" IPS x 1/2" CTS	6930663	360 023 231	0.573
2" IPS x 1/2" CTS	6940262	360 023 232	0.573
3" IPS x 1/2" CTS	6932409	360 023 303	0.595
4" IPS x 1/2" CTS	6940263	360 023 345	0.573
6" IPS x 1/2" CTS	6930665	360 023 413	0.529
6" IPS x 1/2" CTS	6940264	360 023 414	0.595
8" IPS x 1/2" CTS	6930666	360 023 462	0.595

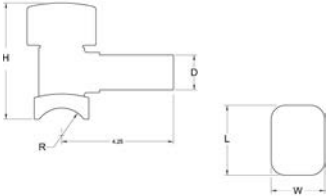


L (inch)	D (inch)	W (inch)	H (inch)	Box Qty
				100
				80
3	2	2	4	80
				80
				80
				80
				80
				80
				80
				80



TAPPING TEES: Series-E
PE3408/PE4710
IPS, .090, Stainless

• Approval: ASTM D2513/D3261
 Please call for more information on availability, pricing, other sizes and dimensions.

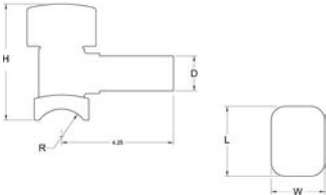


Size (inch)	GFCP Part No.	GF Part No.	weight (lb)	Box Qty
1-1/4" IPS x 1/2" CTS	10005214	360 023 177	0.573	80
1-1/4" IPS x 1/2" CTS	10011451	360 023 176	0.573	80
2" IPS x 1/2" CTS	10005201	360 023 229	0.595	80
3" IPS x 1/2" CTS	10005178	360 023 302	0.617	80
4" IPS x 1/2" CTS	10005158	360 023 343	0.573	80
6" IPS x 1/2" CTS	10005118	360 023 411	0.573	80
8" IPS x 1/2" CTS	10009197	360 003 629	0.595	80



TAPPING TEES: Series-E
PE2406/PE2708
IPS, .097, Stainless

• Approval: ASTM D2513/D3261
 Please call for more information on availability, pricing, other sizes and dimensions.

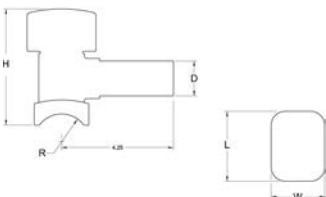


Size (inch)	GFCP Part No.	GF Part No.	weight (lb)	Box Qty
1-1/4" IPS x 3/4" CTS	10011453	360 023 183	0.000	80
1-1/2" IPS x 3/4" CTS	10011458	360 023 207	0.000	80
2" IPS x 3/4" CTS	10011471	360 023 242	0.000	80
3" IPS x 3/4" CTS	10011485	360 023 311	0.000	80
4" IPS x 3/4" CTS	10011499	360 023 355	0.000	80
6" IPS x 3/4" CTS	10011513	360 023 423	0.000	80
8" IPS x 3/4" CTS	10011647	360 023 469	0.000	80

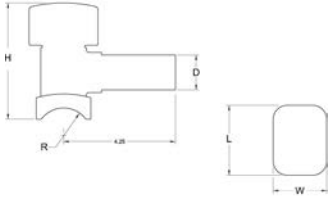


TAPPING TEES: Series-E
PE2406/PE2708
IPS, .101, Stainless

• Approval: ASTM D2513/D3261
 Please call for more information on availability, pricing, other sizes and dimensions.



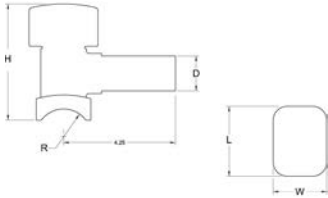
Size (inch)	GFCP Part No.	GF Part No.	weight (lb)	Box Qty
1-1/4" IPS x 1" CTS	6940265	360 023 193	0.595	80
1-1/2" IPS x 1" CTS	6930497	360 023 210	0.002	80
2" IPS x 1" CTS	6930443	360 023 269	0.507	80
3" IPS x 1" CTS	6930452	360 023 325	0.595	80
4" IPS x 1" CTS	6930461	360 023 382	0.507	50
4" IPS x 1" CTS	6940268	360 023 383	0.573	80
6" IPS x 1" CTS	6930470	360 023 441	0.595	80
8" IPS x 1" CTS	6930479	360 023 483	0.507	40



TAPPING TEES: Series-E
PE2406/PE2708
IPS, .121, Stainless

• Approval: ASTM D2513/D3261
 Please call for more information on availability, pricing, other sizes and dimensions.

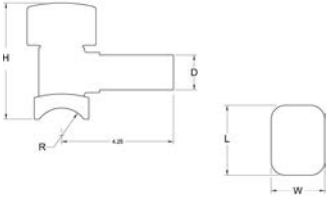
Size (inch)	GFCP Part No.	GF Part No.	weight (lb)	Box Qty
1-1/4" IPS x 1" CTS	6930487	360 023 194	0.000	80
1-1/2" IPS x 1" CTS	6930496	360 023 211	0.000	80
2" IPS x 1" CTS	6930442	360 023 273	0.000	80
3" IPS x 1" CTS	6930451	360 023 327	0.000	80
4" IPS x 1" CTS	6930460	360 023 385	0.000	80
6" IPS x 1" CTS	6930469	360 023 443	0.000	80



TAPPING TEES: Series-E
PE2406/PE2708
IPS, DR9.3, Stainless

• Approval: ASTM D2513/D3261
 Please call for more information on availability, pricing, other sizes and dimensions.

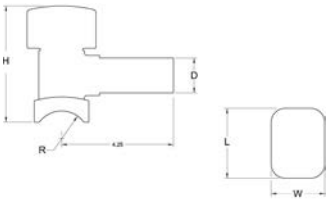
Size (inch)	GFCP Part No.	GF Part No.	weight (lb)	Box Qty
1-1/4" IPS x 1/2" IPS	10011452	360 023 182	0.000	80
1-1/4" IPS x 3/4" IPS	10011455	360 023 190	0.000	80
1-1/4" IPS x 1" IPS	6930492	360 023 200	0.000	80
1-1/2" IPS x 1/2" IPS	10011457	360 023 206	0.000	80
1-1/2" IPS x 3/4" IPS	10011460	360 023 209	0.000	80
1-1/2" IPS x 1" IPS	6930501	360 023 213	0.000	80
2" IPS x 1/2" IPS	10011469	360 023 240	0.000	80
2" IPS x 3/4" IPS	10011478	360 023 263	0.000	80
2" IPS x 1" IPS	6930447	360 023 289	0.595	80
3" IPS x 1/2" IPS	10011483	360 023 308	0.000	80
3" IPS x 3/4" IPS	10011488	360 023 323	0.000	80
3" IPS x 1" IPS	6930456	360 023 333	0.000	80
4" IPS x 1/2" IPS	10011497	360 023 353	0.000	80
4" IPS x 3/4" IPS	10011505	360 023 374	0.000	80
4" IPS x 1" IPS	6930465	360 023 398	0.000	80
6" IPS x 1/2" IPS	10011511	360 023 420	0.000	80
6" IPS x 3/4" IPS	10011517	360 023 437	0.000	80
6" IPS x 1" IPS	6930474	360 023 450	0.000	80
8" IPS x 1/2" IPS	10011570	360 023 467	0.507	80
8" IPS x 3/4" IPS	10011648	360 023 479	0.000	80
8" IPS x 1" IPS	6930483	360 023 490	0.000	80



TAPPING TEES: Series-E
PE2406/PE2708
IPS, DR11, Stainless

• Approval: ASTM D2513/D3261
 Please call for more information on availability, pricing, other sizes and dimensions.

Size (inch)	GFCP Part No.	GF Part No.	weight (lb)	Box Qty
1-1/4" IPS x 3/4" IPS	10011454	360 023 187	0.573	80
1-1/2" IPS x 1" CTS	6930488	360 023 195	0.573	40
1-1/4" IPS x 1" IPS (Trainer)	6940283	360 023 198	0.243	80
1-1/4" IPS x 1" IPS	6930493	360 023 199	0.617	80
1-1/2" IPS x 3/4" IPS	10011459	360 023 208	0.000	80
1-1/2" IPS x 1" IPS	6930502	360 023 212	0.000	80
2" IPS x 3/4" IPS	6940271	360 023 254	0.573	80
2" IPS x 1" IPS (Trainer)	6940284	360 023 285	0.287	100
2" IPS x 1" IPS	6930448	360 023 286	0.595	80
3" IPS x 3/4" IPS	6940272	360 023 318	0.000	80
3" IPS x 1" IPS	6930457	360 023 330	0.617	80
4" IPS x 3/4" IPS	6940273	360 023 367	0.000	80
4" IPS x 1" IPS	6930466	360 023 395	0.617	80
6" IPS x 3/4" IPS	6940274	360 023 431	0.595	80
6" IPS x 1" IPS	6930475	360 023 448	0.617	80
8" IPS x 3/4" IPS	10011649	360 023 473	0.000	80
8" IPS x 1" IPS	6930484	360 023 488	0.595	80



TAPPING TEES: Series-E
PE3408/PE4710
IPS, DR11, Stainless

• Approval: ASTM D2513/D3261
 Please call for more information on availability, pricing, other sizes and dimensions.

Size (inch)	GFCP Part No.	GF Part No.	weight (lb)	Box Qty
1-1/4" IPS x 1" IPS	10005216	360 023 197	0.639	80
2" IPS x 3/4" IPS	10011476	360 023 253	0.595	80
2" IPS x 1" IPS	10005200	360 023 284	0.595	80
3" IPS x 1" IPS	10005173	360 023 329	0.595	80
4" IPS x 3/4" IPS	10011504	360 023 366	0.595	80
4" IPS x 1" IPS (Trainer)	10005167	360 023 393	0.265	100
4" IPS x 1" IPS	10005157	360 023 394	0.485	80
6" IPS x 3/4" IPS	10011515	360 023 430	0.551	80
6" IPS x 1" IPS	10005128	360 023 447	0.617	80
8" IPS x 1" IPS	10005142	360 023 487	0.595	80

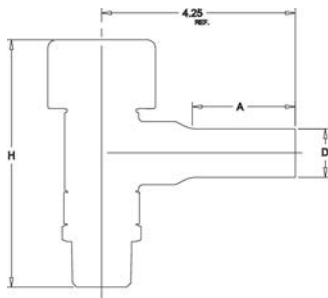
Cast Iron Tapping Tee with Brass Threads

Cast Iron Tapping Tee with Brass Thread PE3408/PE4710



SADDLE FITTINGS: Cast Iron Tapping Tee with Brass Threads
PE3408/PE4710
1 1/4" IPS

- Approval: ASTM D2513
 - Approval: ASTM D3261
- Please call for more information on availability, pricing, other sizes and dimensions.

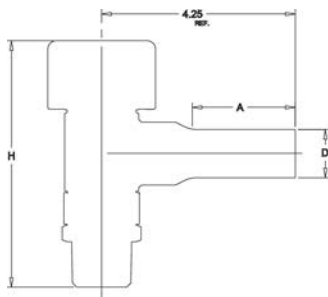


Tapping Thread Size (inch)	Tapping Thread Dia. (inch)	GFCP Part No.	GF weight Part No.	GF weight (lb)	A (inch)	H (inch)	D (inch)	Box Qty
1 1/4	1.66	10005418	360 020 847	0.992	2.25	8.26	1.66	10



SADDLE FITTINGS: Cast Iron Tapping Tee with Brass Threads
PE3408/PE4710
1 1/4" CTS

- Approval: ASTM D2513
 - Approval: ASTM D3261
 - Standard: ANSI B1.20.1
- Please call for more information on availability, pricing, other sizes and dimensions.

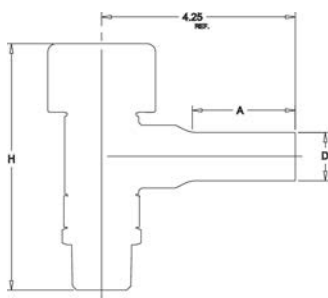


Tapping Thread Size (inch)	Tapping Thread Dia. (inch)	GFCP Part No.	GF weight Part No.	GF weight (lb)	A (inch)	H (inch)	D (inch)	Box Qty
1 1/2	1.90	10005419	360 020 854	2.624	2.25	8.26	1.375	10
2	2.37	10005421	360 020 858	2.998	2.25	8.26	1.375	10



SADDLE FITTINGS: Cast Iron Tapping Tee with Brass Threads
PE3408/PE4710
1" IPS

- Approval: ASTM D2513
 - Approval: ASTM D3261
 - Standard: ANSI B1.20.1
- Please call for more information on availability, pricing, other sizes and dimensions.



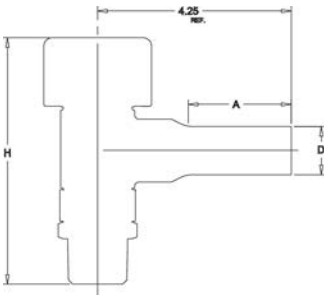
Tapping Thread Size (inch)	Tapping Thread Dia. (inch)	GFCP Part No.	GF weight Part No.	GF weight (lb)	A (inch)	H (inch)	D (inch)	Box Qty
1	1.31	10005416	360 020 838	0.000	2.25	8.26	1.315	10



SADDLE FITTINGS: Cast Iron Tapping Tee with Brass Threads
PE3408/PE4710
1" CTS

- Approval: ASTM D2513
- Approval: ASTM D3261
- Standard: ANSI B1.20.1

Please call for more information on availability, pricing, other sizes and dimensions.



Tapping Thread Size (inch)	Tapping Thread Dia. (inch)	GFCP Part No.	GF Part No.	GF weight (lb)	A (inch)	H (inch)	D (inch)	Box Qty
1 ¼	1.66	10005417	360 020 842	2.381	2.25	8.26	1.125	10
2	2.37	10005420	360 020 856	3.197	2.25	8.26	1.125	10

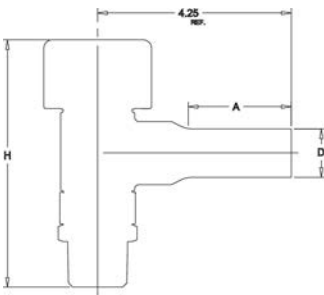
Cast Iron Tapping Tee with Brass Threads PE2406/PE2708



SADDLE FITTINGS: Cast Iron Tapping Tee with Brass Threads
PE2406/PE2708
1 1/4" IPS

- Approval: ASTM D2513
- Approval: ASTM D3261
- Standard: ANSI B1.20.1

Please call for more information on availability, pricing, other sizes and dimensions.



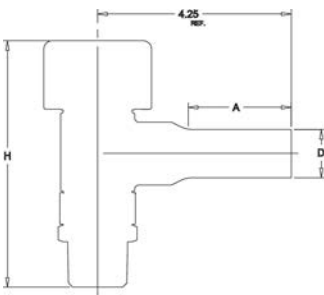
Tapping Thread Size (inch)	Tapping Thread Dia. (inch)	GFCP Part No.	GF Part No.	GF weight (lb)	A (inch)	H (inch)	D (inch)	Box Qty
1	1.31	6936556	360 020 839	0.992	2.25	8.26	1.660	10
1 ¼	1.66	6936558	360 020 848	2.491	2.25	8.26	1.660	10
2	2.37	6936586	360 020 859	0.000	2.25	8.26	1.660	10



SADDLE FITTINGS: Cast Iron Tapping Tee with Brass Threads
PE2406/PE2708
1" CTS

- Approval: ASTM D2513
- Approval: ASTM D3261
- Standard: ANSI B1.20.1

Please call for more information on availability, pricing, other sizes and dimensions.



Tapping Thread Size (inch)	Tapping Thread Dia. (inch)	GFCP Part No.	GF Part No.	GF weight (lb)	A (inch)	H (inch)	D (inch)	Box Qty
1	1.31	6936585	360 020 836	0.000	2.25	8.26	1.125	10
1 ¼	1.66	6936557	360 020 843	2.866	2.25	8.26	1.125	10
1 ½	1.90	10000618	360 020 853	0.000	2.25	8.26	1.125	10

High Volume Tapping Tee with Large Round Base

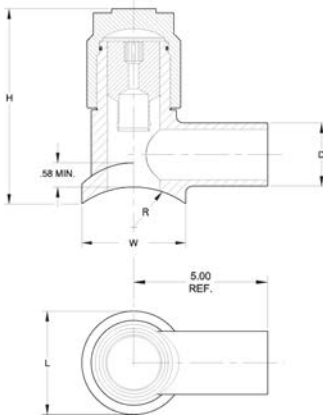
High Volume Tapping Tee with Large Round Base PE3408/PE4710 (Steel)



**SADDLE FITTINGS: High Volume Tapping Tee with Large Round Base
PE3408/PE4710
2" IPS 1.25/Steel**

- Approval: ASTM D2513
 - Approval: ASTM D3261
- Please call for more information on availability, pricing, other sizes and dimensions.

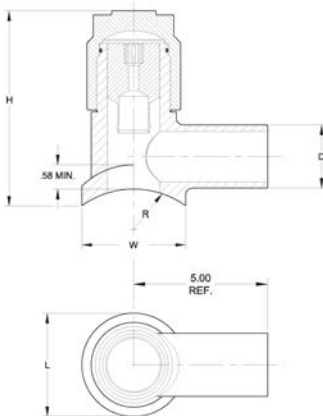
Main Size (inch)	GFCP Part No.	GF weight Part No.	H (lb)	W (inch)	D (inch)	L (inch)	Box Qty	
2	10004902	360 001 644	3.505	6.56	3.88	2.37	3.88	10



**SADDLE FITTINGS: High Volume Tapping Tee with Large Round Base
PE3408/PE4710
2" IPS 1.88/Steel**

- Approval: ASTM D2513
 - Approval: ASTM D3261
- Please call for more information on availability, pricing, other sizes and dimensions.

Main Size (inch)	GFCP Part No.	GF weight Part No.	H (lb)	W (inch)	D (inch)	L (inch)	Box Qty	
3	10004911	360 001 664	2.778	6.56	3.88	2.37	3.88	10
4	10004923	360 001 682	2.910	6.56	3.88	2.37	3.88	10
6	10004938	360 001 704	3.505	6.56	3.88	2.37	3.88	10
8	10004954	360 001 724	2.866	6.56	3.88	2.37	3.88	10
10	10004886	360 001 630	3.175	6.56	3.88	2.37	3.88	10
12	10004894	360 001 637	2.866	6.56	3.88	2.37	3.88	10

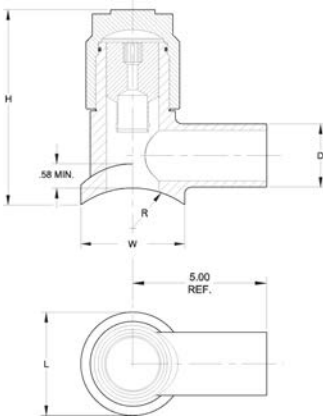


High Volume Tapping Tee with Large Round Base PE3408/PE4710 (Stainless)



SADDLE FITTINGS: High Volume Tapping Tee with Large Round Base PE3408/PE4710 2" IPS/DIPS 1.8/Stainless

- Approval: ASTM D2513
 - Approval: ASTM D3261
 - Approval: AWWA C906
- Please call for more information on availability, pricing, other sizes and dimensions.



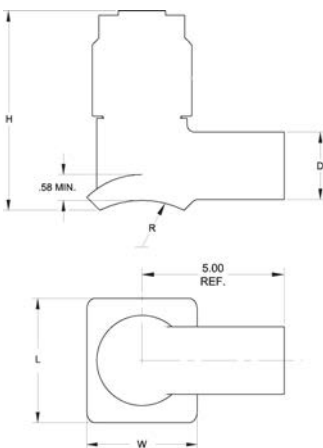
Main Size (inch)	GFCP Part No.	GF weight Part No.	(lb)	H (inch)	W (inch)	D (inch)	L (inch)	Box Qty
4	10004915	360 001 673	2.844	6.56	3.88	2.37	3.88	10
6	10004930	360 001 693	2.822	6.56	3.88	2.37	3.88	10
8	10004946	360 001 716	2.844	6.56	3.88	2.37	3.88	10
12	10004889	360 001 634	2.844	6.56	3.88	2.37	3.88	10

High Volume Tapping Tee with Square Base



SADDLE FITTINGS: High Volume Tapping Tee with Square Base PE3408/PE4710 2" IPS 1.8/Steel

- Approval: ASTM D2513
 - Approval: ASTM D3261
- Please call for more information on availability, pricing, other sizes and dimensions.

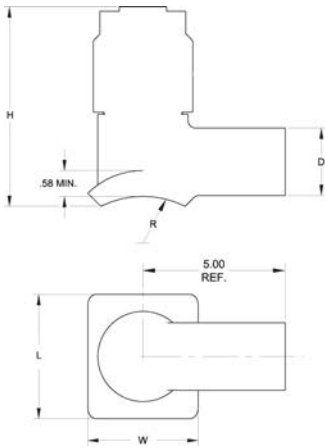


Main Size (inch)	GFCP Part No.	GF weight Part No.	(lb)	H (inch)	W (inch)	D (inch)	L (inch)	Box Qty
2	10004900	360 001 647	0.002	6.56	3.88	2.37	4.38	10



SADDLE FITTINGS: High Volume Tapping Tee with Square Base
PE3408/PE4710
2" IPS (DIPS) 1.88/Stainless

- Approval: ASTM D2513
 - Approval: ASTM D3261
 - Approval: AWWA C906
- Please call for more information on availability, pricing, other sizes and dimensions.

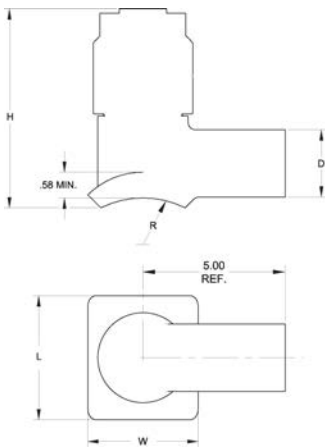


Main Size (inch)	GFCP Part No.	GF weight Part No.	GF weight (lb)	H (inch)	W (inch)	D (inch)	L (inch)	Box Qty
6	10004931	360 001 694	0.000	6.56	3.88	2.37	4.38	5



SADDLE FITTINGS: High Volume Tapping Tee with Square Base
PE2406/PE2708
2" IPS 1.88/Steel

- Approval: ASTM D2513
 - Approval: ASTM D3261
 - Approval: CSA B137.4
- Please call for more information on availability, pricing, other sizes and dimensions.



Main Size (inch)	GFCP Part No.	GF weight Part No.	GF weight (lb)	H (inch)	W (inch)	D (inch)	L (inch)	Box Qty
2	6936548	360 001 650	3.395	6.56	3.88	2.37	4.38	10

Tapping Tee Trainers

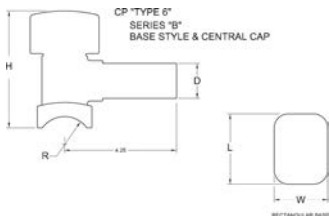
Tapping Tee Trainer with Socket Outlet PE3408/PE4710



SADDLE FITTINGS: Tapping Tee Trainer with Socket Outlet PE3408/PE4710 1" IPS

- Approval: ASTM D2513
 - Approval: ASTM D2683
- Please call for more information on availability, pricing, other sizes and dimensions.

Main Size (inch)	GFCP Part No.	GF Part No.	weight (lb)	Box Qty
2	10005189	360 023 278	0.353	100
4	10005146	360 023 387	0.353	100



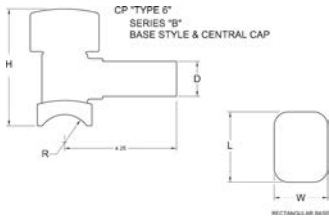
Tapping Tee Trainer with Butt Outlet PE3408/PE4710



SADDLE FITTINGS: Tapping Tee Trainer with Butt Outlet PE3408/PE4710 1/2" CTS

- Approval: ASTM D2513
 - Approval: ASTM D3261
- Please call for more information on availability, pricing, other sizes and dimensions.

Main Size (inch)	GFCP Part No.	GF Part No.	weight (lb)	Box Qty
2	10005210	360 023 223	0.287	100



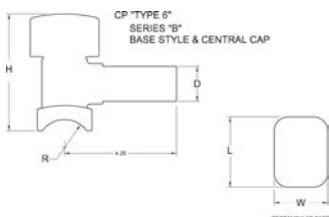
Tapping Tee Trainer with Socket Outlet PE2406/PE2708



SADDLE FITTINGS: Tapping Tee Trainer with Socket Outlet PE2406/PE2708 1" IPS

- Approval: ASTM D2513
 - Approval: ASTM D2683
 - Approval: CSA B137.4
- Please call for more information on availability, pricing, other sizes and dimensions.

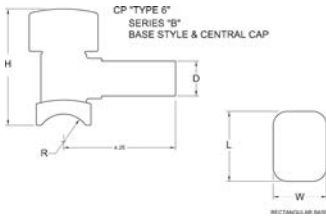
Main Size (inch)	GFCP Part No.	GF Part No.	weight (lb)	Box Qty
2	10001887	360 023 280	0.331	100
4	10001888	360 023 388	0.353	100
6	10001889	360 023 446	0.353	100





SADDLE FITTINGS: Tapping Tee Trainer with Socket Outlet
PE2406/PE2708
1/2" CTS

- Approval: ASTM D2513
 - Approval: ASTM D2683
 - Approval: CSA B137.4
- Please call for more information on availability, pricing, other sizes and dimensions.

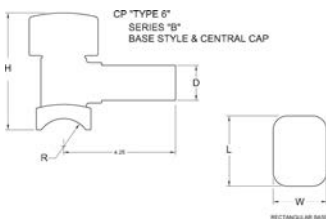


Main Size (inch)	GFCP Part No.	GF Part No.	weight (lb)	Box Qty
1 1/2	10001885	360 023 171	0.353	100
2	10001886	360 023 219	0.353	100
4	10001900	360 023 338	0.353	100



SADDLE FITTINGS: Tapping Tee Trainer with Socket Outlet
PE2406/PE2708
1" CTS

- Approval: ASTM D2513
 - Approval: ASTM D2683
 - Approval: CSA B137.4
- Please call for more information on availability, pricing, other sizes and dimensions.



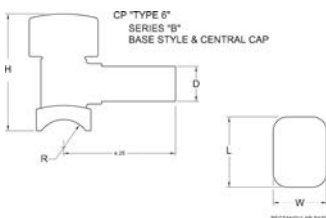
Main Size (inch)	GFCP Part No.	GF Part No.	weight (lb)	Box Qty
2	10001892	360 023 266	0.309	100
4	10001893	360 023 377	0.353	100

Tapping Tee Trainer with Butt Outlet PE2406/PE2708



SADDLE FITTINGS: Tapping Tee Trainer with Butt Outlet
PE2406/PE2708
1" IPS

- Approval: ASTM D2513
 - Approval: ASTM D3261
 - Approval: CSA B137.4
- Please call for more information on availability, pricing, other sizes and dimensions.



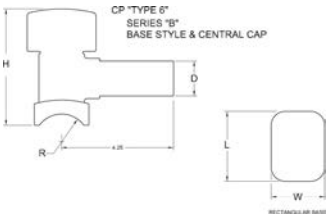
Main Size (inch)	GFCP Part No.	GF Part No.	weight (lb)	Box Qty
2	10001896	360 023 281	0.220	100
4	10001897	360 023 389	0.353	100



SADDLE FITTINGS: Tapping Tee Trainer with Butt Outlet
PE2406/PE2708
1" CTS

- Approval: ASTM D2513
 - Approval: ASTM D3261
- Please call for more information on availability, pricing, other sizes and dimensions.

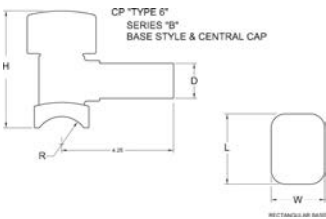
Main Size (inch)	GFCP Part No.	GF Part No.	weight (lb)	Box Qty
2	10001894	360 023 267	0.353	100
4	10001895	360 023 381	0.353	100



SADDLE FITTINGS: Tapping Tee Trainer with Butt Outlet
PE2406/PE2708
3/4" IPS

- Approval: ASTM D2513
 - Approval: ASTM D3261
 - Approval: CSA B137.4
- Please call for more information on availability, pricing, other sizes and dimensions.

Main Size (inch)	GFCP Part No.	GF Part No.	weight (lb)	Box Qty
2	10000796	360 023 250	0.331	60



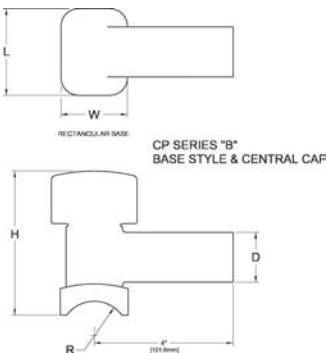
Tapping Tee with Rectangular Base and Socket Outlet



SADDLE FITTINGS: Tapping Tee with Rectangular Base and Socket Outlet
PE2406/PE2708
1 1/4" IPS 0.8/Steel

- Approval: ASTM D2513
 - Approval: ASTM D2683
 - Approval: CSA B137.4
- Please call for more information on availability, pricing, other sizes and dimensions.

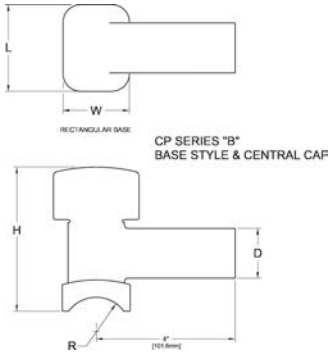
Main Size (inch)	GFCP Part No.	GF Part No.	weight (lb)	H (inch)	W (inch)	D (inch)	L (inch)	Box Qty
1 1/4	6932611	360 023 201	1.411	4.16	1.91	2.25	2.50	10
2	6932612	360 002 701	1.477	4.16	1.91	2.25	2.50	10
3	6932613	360 002 726	1.698	4.16	1.91	2.25	2.50	10
4	6932614	360 002 749	1.698	4.16	1.91	2.25	2.50	10
6	6932615	360 002 773	19.511	4.16	1.91	2.25	2.50	10
8	6932616	360 002 789	1.499	4.16	1.91	2.25	2.50	10





**SADDLE FITTINGS: Tapping Tee with Rectangular Base and Socket Outlet
PE2406/PE2708
1" CTS 0.08/Steel**

- Approval: ASTM D2513
 - Approval: ASTM D2683
 - Approval: CSA B137.4
- Please call for more information on availability, pricing, other sizes and dimensions.

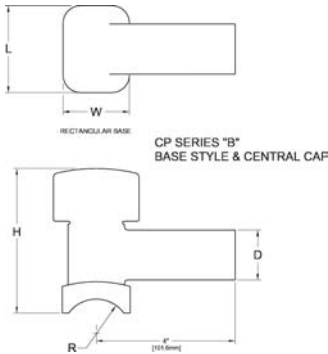


Main Size (inch)	GFCP Part No.	GF Part No.	GF weight (lb)	H (inch)	W (inch)	D (inch)	L (inch)	Box Qty
1 1/4	10002694	360 023 192	1.102	4.16	1.91	1.66	2.50	10
2	10002695	360 002 684	0.904	4.16	1.91	1.66	2.50	10
3	10002696	360 002 716	0.882	4.16	1.91	1.66	2.50	10
4	10002697	360 023 378	1.102	4.16	1.91	1.66	2.50	10
6	10002698	360 002 763	0.882	4.16	1.91	1.66	2.50	10
8	10002699	360 023 481	0.882	4.16	1.91	1.66	2.50	10



**SADDLE FITTINGS: Tapping Tee with Rectangular Base and Socket Outlet
PE2406/PE2708
3/4" IPS**

- Approval: ASTM D2513
 - Approval: ASTM D3261
 - Approval: CSA B137.4
- Please call for more information on availability, pricing, other sizes and dimensions.



Main Size (inch)	GFCP Part No.	GF Part No.	GF weight (lb)	H (inch)	W (inch)	D (inch)	L (inch)	Box Qty
1 1/4	6932621	360 002 659	0.750	4.16	1.91	1.13	2.50	10
2	6932622	360 002 679	1.036	4.16	1.91	1.13	2.50	10
3	6932623	360 002 712	0.904	4.16	1.91	1.13	2.50	10
4	6932624	360 002 736	0.904	4.16	1.91	1.13	2.50	10
6	6932625	360 002 759	1.058	4.16	1.91	1.13	2.50	10
8	6932626	360 002 781	1.058	4.16	1.91	1.13	2.50	10

**SADDLE FITTINGS: Tapping Tee with Rectangular Base and Socket Outlet
PE2406/PE2708
1/2" IPS 0.8/Steel**

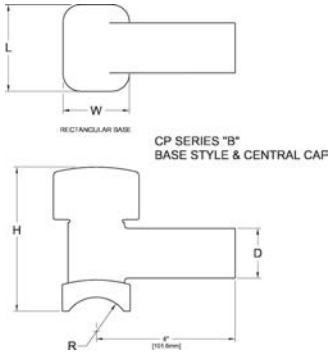
- Approval: ASTM D2513
 - Approval: ASTM D2683
 - Approval: CSA B137.4
- Please call for more information on availability, pricing, other sizes and dimensions.

Main Size (inch)	GFCP Part No.	GF Part No.	GF weight (lb)	H (inch)	W (inch)	D (inch)	L (inch)	Box Qty
1 1/4	10002689	360 023 180	1.102	4.16	1.91	1.38	2.50	10
2	10002690	360 002 674	1.102	4.16	1.91	1.38	2.50	10
3	10002691	360 023 350	1.102	4.16	1.91	1.38	2.50	10
4	10002692	360 002 709	1.102	4.16	1.91	1.38	2.50	10
6	10002693	360 023 417	1.102	4.16	1.91	1.38	2.50	10



SADDLE FITTINGS: Tapping Tee with Rectangular Base and Socket Outlet
PE2406/PE2708
1/2" CTS

- Approval: ASTM D2513
 - Approval: ASTM D2683
 - Approval: CSA B137.4
- Please call for more information on availability, pricing, other sizes and dimensions.

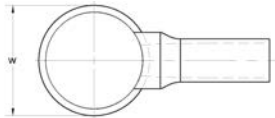


Main Size (inch)	GFCP Part No.	GF Part No.	GF weight (lb)	H (inch)	W (inch)	D (inch)	L (inch)	Box Qty
1 1/4	10002684	360 023 173	1.102	4.16	1.91	0.99	2.50	10
2	10002685	360 002 670	0.794	4.16	1.91	0.99	2.50	10
3	10002686	360 023 300	0.816	4.16	1.91	0.99	2.50	10
4	10002687	360 002 730	1.102	4.16	1.91	0.99	2.50	10
6	10002688	360 023 409	1.102	4.16	1.91	0.99	2.50	10
8	10007998	360 002 777	0.088	4.16	1.91	0.99	2.50	10

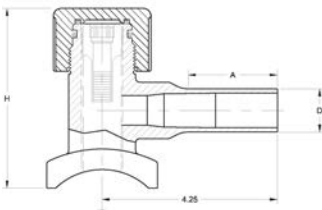
Tapping Tee with Round Base and Butt Outlet

SADDLE FITTINGS: Tapping Tee with Round Base and Butt Outlet
PE3408/PE4710
1" CTS 0.8/Brass

- Approval: ASTM D2513
 - Approval: ASTM D3261
 - Approval: AWWA C906
- Please call for more information on availability, pricing, other sizes and dimensions.



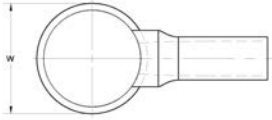
Main Size (inch)	GFCP Part No.	GF Part No.	GF weight (lb)	A (inch)	H (inch)	W (inch)	D (inch)	Box Qty
4	10005168	360 023 337	0.639	2.11	4.40	2.69	1.12	80
6	10005117	360 023 407	0.661	2.11	4.40	2.69	1.12	80
8	10005135	360 023 457	0.617	2.11	4.40	2.69	1.12	80
12	10006032	360 023 215	0.639	2.11	4.40	2.69	1.12	80



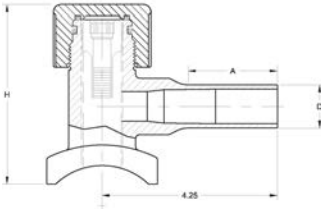


SADDLE FITTINGS: Tapping Tee with Round Base and Butt Outlet
PE3408/PE4710
3/4" CTS 0.8/Brass

- Approval: ASTM D2513
 - Approval: ASTM D3261
 - Approval: AWWA C906
- Please call for more information on availability, pricing, other sizes and dimensions.



Main Size (inch)	GFCP Part No.	GF weight Part No.	GF weight (lb)	A (inch)	H (inch)	W (inch)	D (inch)	Box Qty
6	10005115	360 023 405	0.639	2.50	4.40	2.69	0.87	80
8	10005133	360 023 455	0.639	2.50	4.40	2.69	0.87	80
12	10006031	360 023 214	0.639	2.50	4.40	2.69	0.87	80



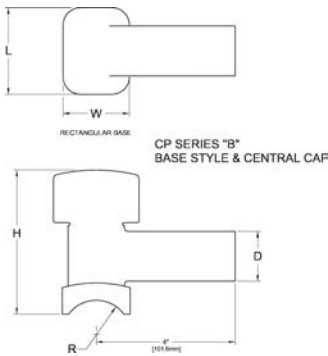
Tapping Tee with Rectangular Base and Butt Outlet

Tapping Tee with Rectangular Base and Butt Outlet PE3408/PE4710



SADDLE FITTINGS: Tapping Tee with Rectangular Base and Butt Outlet
PE3408/PE4710
1" CTS 0.8/Steel

- Approval: ASTM D2513
 - Approval: ASTM D3261
- Please call for more information on availability, pricing, other sizes and dimensions.



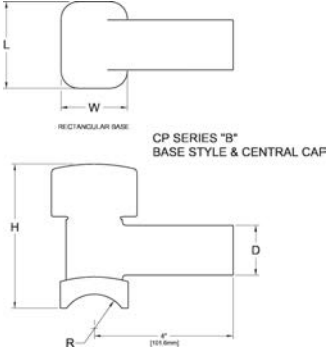
Main Size (inch)	GFCP Part No.	GF weight Part No.	GF weight (lb)	H (inch)	W (inch)	D (inch)	L (inch)	Box Qty
2	10007297	360 002 686	0.595	4.16	1.91	1.13	2.50	75



**SADDLE FITTINGS: Tapping Tee with Rectangular Base and Butt Outlet
PE3408/PE4710
1" IPS 0.8/Steel**

- Approval: ASTM D2513
 - Approval: ASTM D3261
- Please call for more information on availability, pricing, other sizes and dimensions.

Main Size (inch)	GFCP Part No.	GF weight Part No.	GF weight (lb)	H (inch)	W (inch)	D (inch)	Box Qty
2	10005209	360 002 692	0.485	4.16	1.91	1.31	80
3	10005172	360 002 721	0.639	4.16	1.91	1.31	60



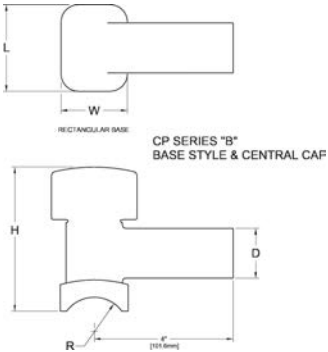
Tapping Tee with Rectangular Base and Butt Outlet PE2406/PE2708



**SADDLE FITTINGS: Tapping Tee with Rectangular Base and Butt Outlet
PE2406/PE2708
3/4" IPS 0.8/Steel**

- Approval: ASTM D2513
 - Approval: ASTM D3261
 - Approval: CSA B137.4
- Please call for more information on availability, pricing, other sizes and dimensions.

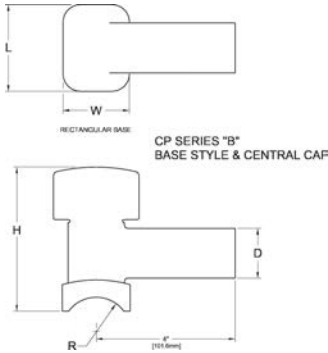
Main Size (inch)	GFCP Part No.	GF weight Part No.	GF weight (lb)	H (inch)	W (inch)	D (inch)	L (inch)	Box Qty
2	10002877	360 002 681	0.551	4.16	1.91	1.05	2.50	10
4	10002882	360 002 739	0.551	4.16	1.91	1.05	2.50	10





SADDLE FITTINGS: Tapping Tee with Rectangular Base and Butt Outlet
PE2406/PE2708
1" CTS 0.8/Steel

- Approval: ASTM D2513
 - Approval: ASTM D3261
 - Approval: CSA B137.4
- Please call for more information on availability, pricing, other sizes and dimensions.

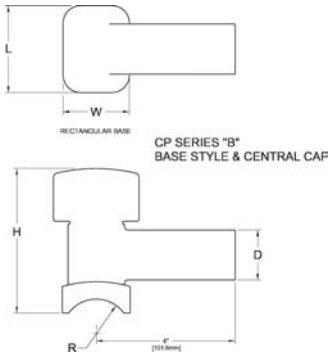


Main Size (inch)	GFCP Part No.	GF weight Part No.	GF weight (lb)	H (inch)	W (inch)	D (inch)	L (inch)	Box Qty
1 ¼	10000740	360 002 662	0.683	4.16	1.19	1.13	2.50	10
2	10001071	360 002 689	0.617	4.16	1.19	1.13	2.50	10
3	10001072	360 002 719	0.772	4.16	1.19	1.13	2.50	10
4	10001073	360 002 742	0.705	4.16	1.19	1.13	2.50	10
6	10001074	360 002 766	0.750	4.16	1.19	1.13	2.50	10
8	10003734	360 002 784	0.595	4.16	1.19	1.13	2.50	10



SADDLE FITTINGS: Tapping Tee with Rectangular Base and Butt Outlet
PE2406/PE2708
1" IPS 0.8/Steel

- Approval: ASTM D2513
 - Approval: ASTM D3261
 - Approval: CSA B137.4
- Please call for more information on availability, pricing, other sizes and dimensions.

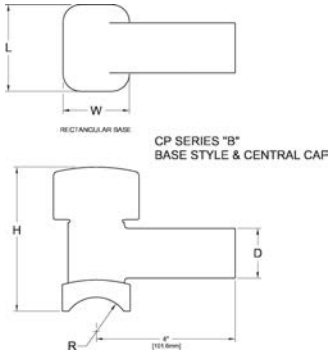


Main Size (inch)	GFCP Part No.	GF weight Part No.	GF weight (lb)	H (inch)	W (inch)	D (inch)	L (inch)	Box Qty
1 ¼	10002876	360 002 663	0.617	4.16	1.91	1.31	2.50	10
2	10002878	360 002 695	0.639	4.16	1.91	1.31	2.50	10
6	10003194	360 002 770	0.595	4.16	1.91	1.31	2.50	10



SADDLE FITTINGS: Tapping Tee with Rectangular Base and Butt Outlet
PE2406/PE2708
1 1/4" IPS 0.8/Steel

- Approval: ASTM D2513
 - Approval: ASTM D2683
 - Approval: CSA B137.4
- Please call for more information on availability, pricing, other sizes and dimensions.

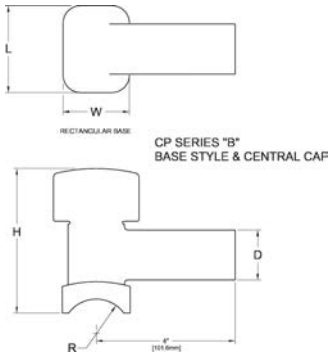


Main Size (inch)	GFCP Part No.	GF Part No.	GF weight (lb)	H (inch)	W (inch)	D (inch)	L (inch)	Box Qty
2	10001075	360 002 705	0.683	4.16	1.91	1.66	2.50	10
3	10001076	360 002 728	0.595	4.16	1.91	1.66	2.50	10
4	10001077	360 002 754	0.683	4.16	1.91	1.66	2.50	10
6	10001078	360 002 775	0.617	4.16	1.91	1.66	2.50	10



SADDLE FITTINGS: Tapping Tee with Rectangular Base and Butt Outlet
PE2406/PE2708
1/2" CTS 0.8 Steel

- Approval: ASTM D2513
 - Approval: ASTM D3261
 - Approval: CSA B137.4
- Please call for more information on availability, pricing, other sizes and dimensions.

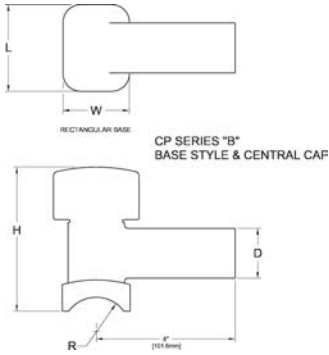


Main Size (inch)	GFCP Part No.	GF Part No.	GF weight (lb)	H (inch)	W (inch)	D (inch)	L (inch)	Box Qty
2	10000741	360 002 673	0.573	4.16	1.91	0.62	2.50	10
3	10000854	360 002 707	0.529	4.16	1.91	0.62	2.50	10
4	10001070	360 002 733	0.529	4.16	1.91	0.62	2.50	10



SADDLE FITTINGS: Tapping Tee with Rectangular Base and Butt Outlet
PE2406/PE2708
3/4" CTS 0.8/Steel

- Approval: ASTM D2513
 - Approval: ASTM D3261
- Please call for more information on availability, pricing, other sizes and dimensions.



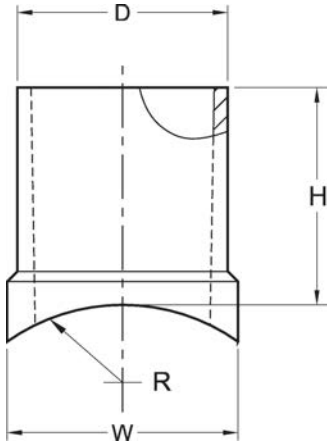
Main Size (inch)	GFCP Part No.	GF weight Part No. (lb)	H (inch)	W (inch)	D (inch)	L (inch)	Box Qty	
1 ¼	10000739	360 002 657	0.683	4.16	1.91	0.87	2.50	10
2	6930727	360 002 676	0.639	4.16	1.91	0.87	2.50	10
3	10000855	360 002 710	0.705	4.16	1.91	0.87	2.50	10
4	10000856	360 002 735	0.617	4.16	1.91	0.87	2.50	10
6	10000857	360 002 757	0.551	4.16	1.91	0.87	2.50	10
8	10003719	360 002 780	0.750	4.16	1.91	0.87	2.50	10

Branch Saddle PE2406/PE2708 IPS x IPS



SADDLE FITTINGS: Round Base Branch Saddle PE2406/PE2708 IPS x IPS, 2", DR11

- Approval: ASTM D2513
 - Approval: ASTM D3261
- Please call for more information on availability, pricing, other sizes and dimensions.

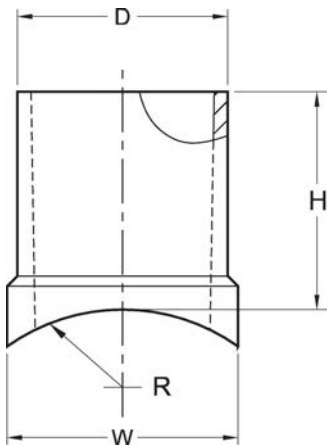


Main Size (inch)	GFCP Part No.	GF Part No.	weight (lb)	H (inch)	W (inch)	D (inch)	Box Qty
2	6920344	360 004 276	0.243	3.00	2.63	2.37	30
3	6920330	360 000 573	0.220	3.00	2.63	2.37	30
4	6920342	360 000 587	0.198	3.00	2.63	2.37	30
6	6920337	360 000 602	0.265	3.00	2.63	2.37	30
8	6920407	360 000 615	0.265	3.00	2.63	2.37	30
10	6921046	360 003 535	0.243	3.00	2.63	2.37	30
12	6920689	360 003 536	0.265	3.00	2.63	2.37	30



SADDLE FITTINGS: Round Base Branch Saddle PE2406/PE2708 IPS x IPS, 3", DR11

- Approval: ASTM D2513
 - Approval: ASTM D3261
- Please call for more information on availability, pricing, other sizes and dimensions.



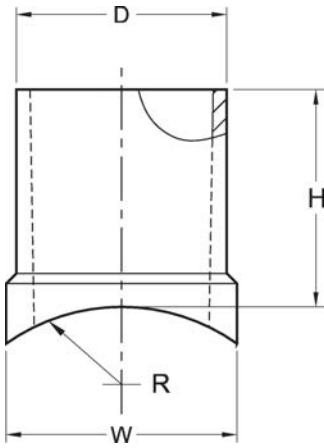
Main Size (inch)	GFCP Part No.	GF Part No.	weight (lb)	H (inch)	W (inch)	D (inch)	Box Qty
3	6920398	360 000 579	0.926	4.00	3.88	3.50	18
4	692040320000	360 003 537	0.639	4.00	3.88	3.50	18
6	692060320000	360 003 538	0.705	4.00	3.88	3.50	18
12	6920912	360 003 539	0.617	4.00	3.88	3.50	18



SADDLE FITTINGS: Round Base Branch Saddle
PE2406/PE2708
IPS x IPS, 4", DR11

- Approval: ASTM D2513
 - Approval: ASTM D3261
- Please call for more information on availability, pricing, other sizes and dimensions.

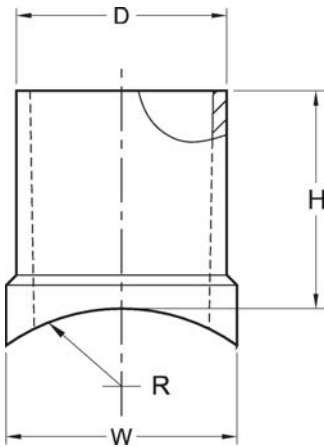
Main Size (inch)	GFCP Part No.	GF weight Part No.	(lb)	H (inch)	W (inch)	D (inch)	Box Qty
4	6920343	360 000 594	1.190	4.00	4.80	4.50	10
6	692060420000	360 003 540	1.102	4.00	4.80	4.50	10
8	6920211	360 000 623	0.882	4.00	4.80	4.50	10
12	6920690	360 003 542	0.992	4.00	4.80	4.50	10



SADDLE FITTINGS: Round Base Branch Saddle
PE2406/PE2708
IPS x IPS, 6", DR11

- Approval: ASTM D2513
 - Approval: ASTM D3261
- Please call for more information on availability, pricing, other sizes and dimensions.

Main Size (inch)	GFCP Part No.	GF weight Part No.	(lb)	H (inch)	W (inch)	D (inch)	Box Qty
12	6920913	360 003 544	2.910	5.13	6.81	6.62	5

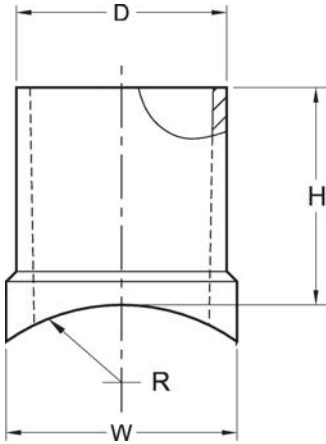




SADDLE FITTINGS: Round Base Branch Saddle
PE2406/PE2708
IPS x IPS, 6", DR11/11.5

- Approval: ASTM D2513
 - Approval: ASTM D3261
- Please call for more information on availability, pricing, other sizes and dimensions.

Main Size (inch)	GFCP Part No.	GF weight Part No.	GF weight (lb)	H (inch)	W (inch)	D (inch)	Box Qty
12	10000301	360 000 627	2.998	5.13	6.81	6.62	5



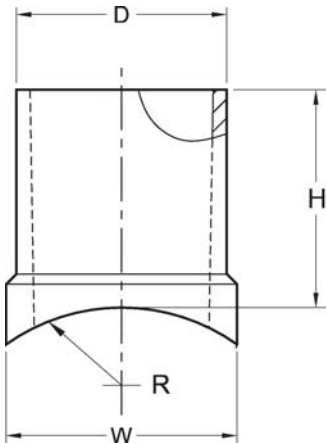
Branch Saddle PE3408/PE4710 IPS x IPS



SADDLE FITTINGS: Round Base Branch Saddle
PE3408/PE4710
IPS x IPS, 2", DR9.3

- Approval: ASTM D2513
 - Approval: ASTM D3261
 - Approval: AWWA C906
 - Approval: NSF-61
- Please call for more information on availability, pricing, other sizes and dimensions.

Main Size (inch)	GFCP Part No.	GF weight Part No.	GF weight (lb)	H (inch)	W (inch)	D (inch)	Box Qty
6	10004880	360 000 605	0.220	3.00	2.63	2.37	30
8	10005110	360 000 618	0.220	3.00	2.63	2.37	30
18	10005065	360 003 588	0.220	3.00	2.63	2.37	30

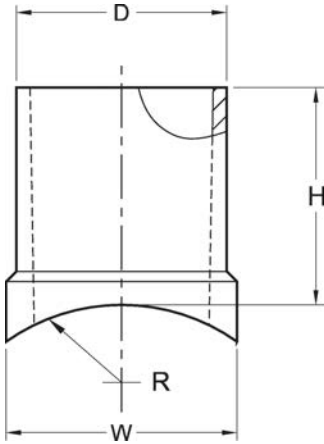




SADDLE FITTINGS: Round Base Branch Saddle
PE3408/PE4710
IPS X IPS, 2", DR11

- Approval: ASTM D2513
- Approval: ASTM D3261
- Approval: AWWA C906
- Approval: NSF-61

Please call for more information on availability, pricing, other sizes and dimensions.



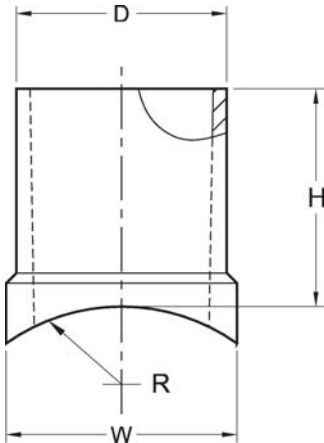
Main Size (inch)	GFCP Part No.	GF Part No.	weight (lb)	H (inch)	W (inch)	D (inch)	Box Qty
2	10004876	360 003 581	0.265	3.00	2.63	2.37	30
3	10005086	360 000 572	0.220	3.00	2.63	2.37	30
4	10005094	360 000 586	0.220	3.00	2.63	2.37	30
6	10005102	360 000 601	0.220	3.00	2.63	2.37	30
8	10005108	360 000 614	0.220	3.00	2.63	2.37	30
10	10005025	360 003 583	0.198	3.00	2.63	2.37	30
12	10005037	360 003 049	0.198	3.00	2.63	2.37	30
14	10005045	360 003 586	0.198	3.00	2.63	2.37	30
16	10005054	360 003 587	0.220	3.00	2.63	2.37	30
18	10005064	360 003 589	0.220	3.00	2.63	2.37	30
24	10005079	360 000 565	0.198	3.00	2.63	2.37	30



SADDLE FITTINGS: Round Base Branch Saddle
PE3408/PE4710
IPS x IPS, 2", DR17

- Approval: ASTM D2513
- Approval: ASTM D3261
- Approval: AWWA C906
- Approval: NSF-61

Please call for more information on availability, pricing, other sizes and dimensions.



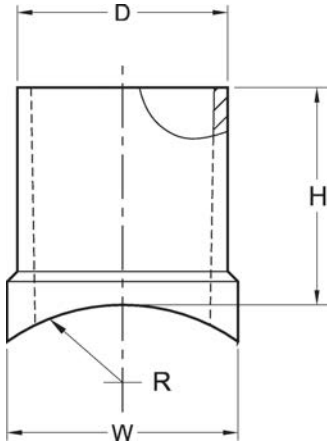
Main Size (inch)	GFCP Part No.	GF Part No.	weight (lb)	H (inch)	W (inch)	D (inch)	Box Qty
4	10005096	360 000 590	0.198	3.00	2.63	2.37	30



SADDLE FITTINGS: Round Base Branch Saddle
PE3408/PE4710
IPS x IPS, 3", DR11

- Approval: ASTM D2513
- Approval: ASTM D3261
- Approval: AWWA C906
- Approval: NSF-61

Please call for more information on availability, pricing, other sizes and dimensions.



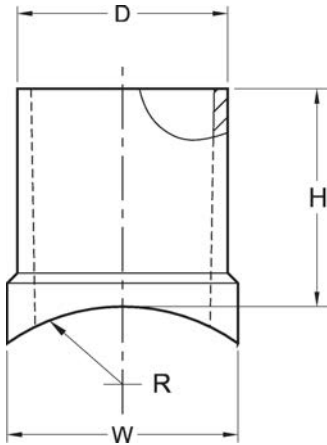
Main Size (inch)	GFCP Part No.	GF Part No.	GF weight (lb)	H (inch)	W (inch)	D (inch)	Box Qty
4	10004878	360 000 592	0.683	4.00	3.88	3.50	10
6	10005103	360 000 607	0.617	4.00	3.88	3.50	10
8	10005111	360 000 620	0.639	4.00	3.88	3.50	10
10	10005027	360 003 590	0.639	4.00	3.88	3.50	10
12	10005039	360 003 592	0.617	4.00	3.88	3.50	10
14	10005046	360 003 594	0.639	4.00	3.88	3.50	10
16	10005055	360 003 595	0.705	4.00	3.88	3.50	10
18	10005066	360 003 596	0.595	4.00	3.88	3.50	10
20	10005073	360 003 597	0.705	4.00	3.88	3.50	10
24	10005080	360 000 566	0.617	4.00	3.88	3.50	10



SADDLE FITTINGS: Round Base Branch Saddle
PE3408/PE4710
IPS x IPS, 3", DR17

- Approval: ASTM D2513
- Approval: ASTM D3261
- Approval: AWWA C906
- Approval: NSF-61

Please call for more information on availability, pricing, other sizes and dimensions.



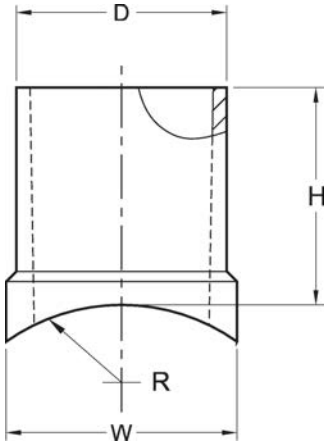
Main Size (inch)	GFCP Part No.	GF Part No.	GF weight (lb)	H (inch)	W (inch)	D (inch)	Box Qty
10	10005028	360 003 591	0.661	4.00	3.88	3.50	10
12	10005040	360 003 593	0.661	4.00	3.88	3.50	10



SADDLE FITTINGS: Round Base Branch Saddle
PE3408/PE4710
IPS x IPS, 4", DR9.3

- Approval: ASTM D2513
- Approval: ASTM D3261
- Approval: AWWA C906
- Approval: NSF-61

Please call for more information on availability, pricing, other sizes and dimensions.



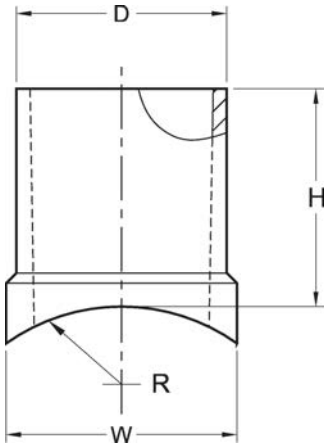
Main Size (inch)	GFCP Part No.	GF Part No.	weight (lb)	H (inch)	W (inch)	D (inch)	Box Qty
4	10004879	360 000 595	1.168	4.00	4.80	4.50	10
16	10005057	360 003 603	1.102	4.00	4.80	4.50	10
26	10005085	360 000 571	1.609	4.00	4.80	4.50	10



SADDLE FITTINGS: Round Base Branch Saddle
PE3408/PE4710
IPS x IPS, 4", DR11

- Approval: ASTM D2513
- Approval: ASTM D3261
- Approval: AWWA C906
- Approval: NSF-61

Please call for more information on availability, pricing, other sizes and dimensions.

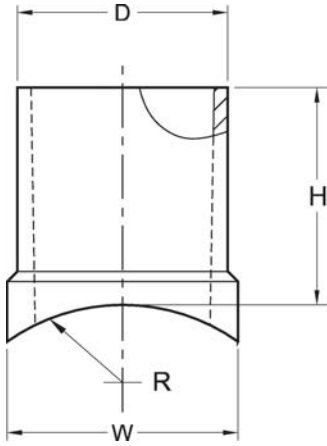


Main Size (inch)	GFCP Part No.	GF Part No.	weight (lb)	H (inch)	W (inch)	D (inch)	Box Qty
6	10005104	360 000 609	0.948	4.00	4.80	4.50	10
8	10005112	360 000 622	1.102	4.00	4.80	4.50	10
10	10005029	360 003 599	1.080	4.00	4.80	4.50	10
12	10005041	360 003 600	1.257	4.00	4.80	4.50	10
14	10005047	360 003 602	1.036	4.00	4.88	4.50	10
16	10005056	360 003 604	1.168	4.00	4.88	4.50	10
18	10005067	360 003 605	1.058	4.00	4.88	4.50	10
20	10005074	360 003 606	0.992	4.00	4.88	4.50	10
24	10005081	360 000 567	2.006	4.00	4.88	4.50	10
30	10005088	360 000 580	2.006	4.00	4.88	4.50	10
36	10005091	360 000 583	2.006	4.00	4.88	4.50	10
48	10005098	360 000 597	1.984	4.00	4.88	4.50	10



SADDLE FITTINGS: Round Base Branch Saddle
PE3408/PE4710
IPS x IPS, 4", DR17

- Approval: ASTM D2513
 - Approval: ASTM D3261
 - Approval: AWWA C906
 - Approval: NSF-61
- Please call for more information on availability, pricing, other sizes and dimensions.

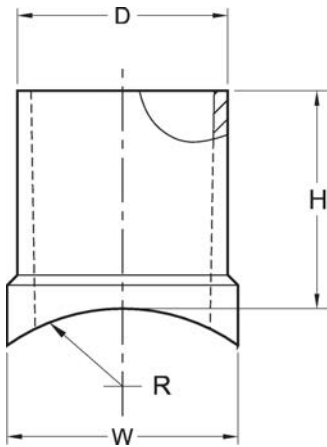


Main Size (inch)	GFCP Part No.	GF weight Part No.	H (lb)	H (inch)	W (inch)	D (inch)	Box Qty
8	10005113	360 000 624	0.970	4.00	4.80	4.50	10



SADDLE FITTINGS: Round Base Branch Saddle
PE3408/PE4710
IPS x IPS, 6", DR11

- Approval: ASTM D2513
 - Approval: ASTM D3261
 - Approval: AWWA C906
 - Approval: NSF-61
- Please call for more information on availability, pricing, other sizes and dimensions.



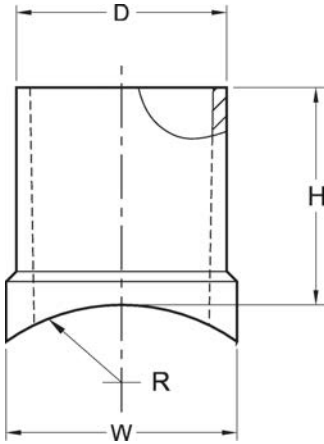
Main Size (inch)	GFCP Part No.	GF weight Part No.	H (lb)	H (inch)	W (inch)	D (inch)	Box Qty
8	10004881	360 000 626	0.529	5.13	6.81	6.62	5
10	10005030	360 003 607	3.042	5.13	6.81	6.62	5
12	10005042	360 003 608	2.822	5.13	6.81	6.62	5
14	10005048	360 003 610	3.197	5.13	6.81	6.62	5
16	10005058	360 003 613	2.888	5.13	6.81	6.62	5
18	10005068	360 003 615	2.844	5.13	6.81	6.62	5
20	10005075	360 003 616	2.998	5.13	6.81	6.62	5
22	10005077	360 000 563	2.998	5.13	6.81	6.62	5
24	10005082	360 000 568	2.844	5.13	6.81	6.62	5
30	10005089	360 000 581	2.998	5.13	6.81	6.62	5
36	10005092	360 000 584	2.998	5.13	6.81	6.62	5



SADDLE FITTINGS: Round Base Branch Saddle
PE3408/PE4710
IPS x IPS, 6", DR17

- Approval: ASTM D2513
- Approval: ASTM D3261
- Approval: AWWA C906
- Approval: NSF-61

Please call for more information on availability, pricing, other sizes and dimensions.



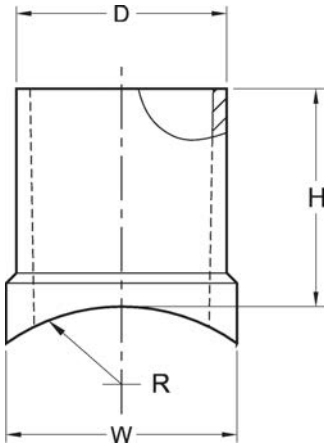
Main Size (inch)	GFCP Part No.	GF weight Part No.	GF weight (lb)	H (inch)	W (inch)	D (inch)	Box Qty
8	10005114	360 000 629	2.998	5.13	6.81	6.62	5
10	10005031	360 003 048	2.998	5.13	6.81	6.62	5
14	10005049	360 003 611	2.910	5.13	6.81	6.62	5
16	10005059	360 003 614	3.064	5.13	6.81	6.62	5



SADDLE FITTINGS: Round Base Branch Saddle
PE3408/PE4710
IPS x IPS, 8", DR9

- Approval: ASTM D2513
- Approval: ASTM D3261
- Approval: AWWA C906
- Approval: NSF-61

Please call for more information on availability, pricing, other sizes and dimensions.



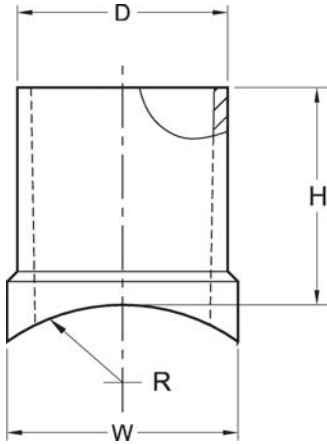
Main Size (inch)	GFCP Part No.	GF weight Part No.	GF weight (lb)	H (inch)	W (inch)	D (inch)	Box Qty
12	10005044	360 003 618	8.003	7.97	9.00	8.62	5



SADDLE FITTINGS: Round Base Branch Saddle
PE3408/PE4710
IPS x IPS, 8", DR11

- Approval: ASTM D2513
- Approval: ASTM D3261
- Approval: AWWA C906
- Approval: NSF-61

Please call for more information on availability, pricing, other sizes and dimensions.



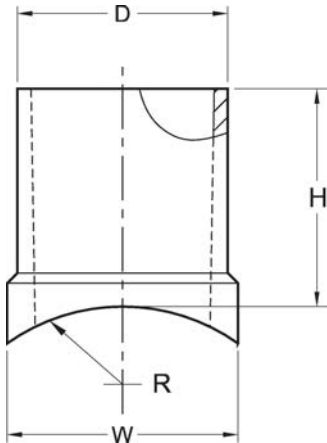
Main Size (inch)	GFCP Part No.	GF Part No.	GF weight (lb)	H (inch)	W (inch)	D (inch)	Box Qty
10	10005032	360 003 617	7.209	7.97	9.00	8.62	5
12	10005043	360 003 619	7.319	7.97	9.00	8.62	5
14	10005050	360 003 620	7.363	7.97	9.00	8.62	5
16	10005060	360 003 621	7.893	7.97	9.00	8.62	5
18	10005069	360 003 622	7.033	7.97	9.00	8.62	5
20	10005076	360 000 562	7.077	7.97	9.00	8.62	5
24	10005083	360 000 569	6.900	7.97	9.00	8.62	5
36	10005093	360 000 585	7.606	7.97	9.00	8.62	5
48	10005100	360 000 599	7.496	7.97	9.00	8.62	5



SADDLE FITTINGS: Round Base Branch Saddle
PE3408/PE4710
IPS x IPS, 12", DR11

- Approval: ASTM D2513
- Approval: ASTM D3261
- Approval: AWWA C906
- Approval: NSF-61

Please call for more information on availability, pricing, other sizes and dimensions.



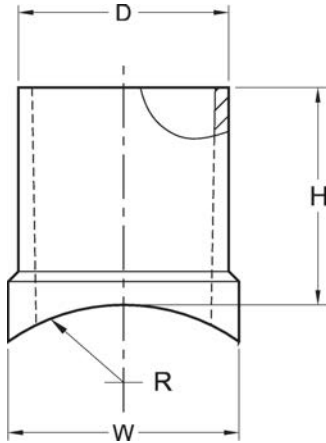
Main Size (inch)	GFCP Part No.	GF Part No.	GF weight (lb)	H (inch)	W (inch)	D (inch)	Box Qty
16	10005053	360 003 623	19.996	9.47	13.35	12.75	1
18	10005063	360 003 624	19.996	9.47	13.35	12.75	1
20	10005072	360 003 625	19.996	9.47	13.35	12.75	1
24	10005078	360 000 564	19.996	9.47	13.35	12.75	1
36	10005090	360 000 582	19.798	9.47	13.35	12.75	1
48	10005097	360 000 596	19.709	9.47	13.35	12.75	1

Branch Saddle PE3408/PE4710 IPS x DIPS



SADDLE FITTINGS: Round Base Branch Saddle
PE3408/PE4710
IPS x DIPS, 2", DR11

- Approval: ASTM D3261
 - Approval: AWWA C906
 - Approval: NSF-61
- Please call for more information on availability, pricing, other sizes and dimensions.

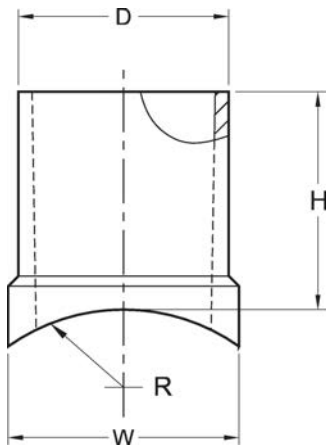


Main Size (inch)	GFCP Part No.	GF weight Part No.	GF weight (lb)	H (inch)	W (inch)	D (inch)	Box Qty
12	10005033	360 004 278	0.243	3.00	2.66	2.37	30



SADDLE FITTINGS: Round Base Branch Saddle
PE3408/PE4710
IPS x DIPS, 3", DR11

- Approval: ASTM D3261
 - Approval: AWWA C906
 - Approval: NSF-61
- Please call for more information on availability, pricing, other sizes and dimensions.

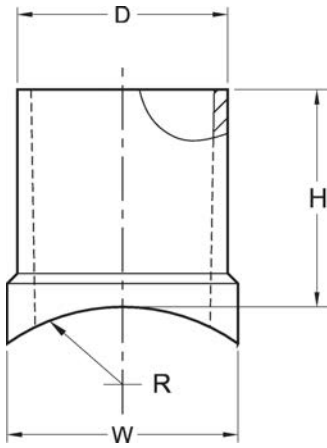


Main Size (inch)	GFCP Part No.	GF weight Part No.	GF weight (lb)	H (inch)	W (inch)	D (inch)	Box Qty
10	10005021	360 004 279	0.661	4.00	3.88	3.50	10



SADDLE FITTINGS: Round Base Branch Saddle
PE3408/PE4710
IPS x DIPS, 4", DR11

- Approval: ASTM D3261
 - Approval: AWWA C906
 - Approval: NSF-61
- Please call for more information on availability, pricing, other sizes and dimensions.

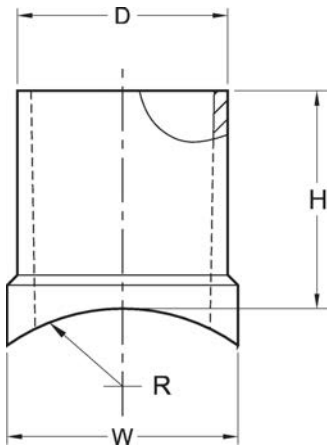


Main Size (inch)	GFCP Part No.	GF weight Part No.	GF weight (lb)	H (inch)	W (inch)	D (inch)	Box Qty
6	10005101	360 000 600	2.006	4.00	4.80	4.50	10
8	10005106	360 000 612	2.006	4.00	4.80	4.50	10
10	10005022	360 004 280	2.006	4.00	4.80	4.50	10
12	10005034	360 004 281	1.962	4.00	4.80	4.50	10



SADDLE FITTINGS: Round Base Branch Saddle
PE3408/PE4710
IPS x DIPS, 6", DR11

- Approval: ASTM D3261
 - Approval: AWWA C906
 - Approval: NSF-61
- Please call for more information on availability, pricing, other sizes and dimensions.



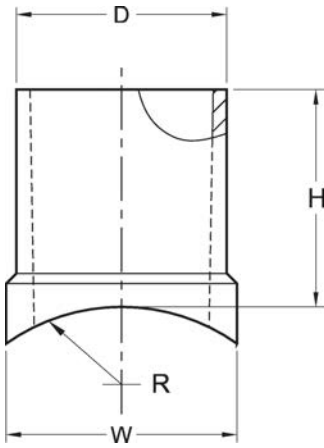
Main Size (inch)	GFCP Part No.	GF weight Part No.	GF weight (lb)	H (inch)	W (inch)	D (inch)	Box Qty
8	10005107	360 000 613	2.998	5.13	6.81	6.62	5
10	10005023	360 004 282	2.998	5.13	6.81	6.62	5
12	10005035	360 004 283	2.954	5.13	6.81	6.62	5
16	10005051	360 004 284	2.954	5.13	6.81	6.62	5
18	10005061	360 004 285	2.866	5.13	6.81	6.62	5
20	10005070	360 004 286	2.866	5.13	6.81	6.62	5



SADDLE FITTINGS: Round base Branch Saddle
PE3408/PE4710
IPS x DIPS, 8", DR11

- Approval: ASTM D3261
- Approval: AWWA C906
- Approval: NSF-61

Please call for more information on availability, pricing, other sizes and dimensions.



Main Size (inch)	GFCP Part No.	GF weight Part No.	GF weight (lb)	H (inch)	W (inch)	D (inch)	Box Qty
10	10005024	360 004 287	0.000	7.97	9.00	8.62	5
12	10005036	360 004 288	0.000	7.97	9.00	8.62	5
16	10005052	360 004 289	0.000	7.97	9.00	8.62	5
18	10005062	360 004 290	0.000	7.97	9.00	8.62	5
20	10005071	360 004 291	0.000	7.97	9.00	8.62	5

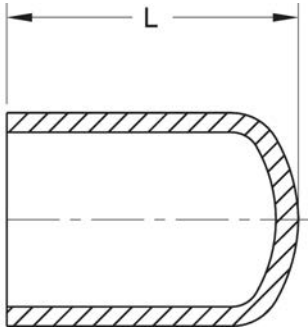
End Caps

End Caps, PE2406/PE2708



BUTT FITTINGS: End Cap
PE2406/PE2708
CTS, Cap Style 1

- Approval: ASTM D2513
 - Approval: ASTM D3261
 - *Approval: CSA B137.4
- Please call for more information on availability, pricing, other sizes and dimensions.



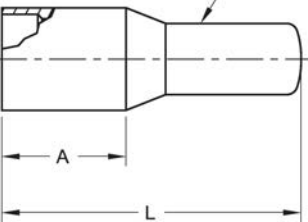
<...>	Size (inch)	WALL	GFCP Part No.	GF Part No.	GF weight (lb)	L (inch)	Box Qty
*	½	.090	6911497	360 000 310	0.022	1.65	100
	1	.101	6912470	360 000 317	0.022	2.18	100
	¾	.090	6912138	360 000 313	0.022	2.14	100



BUTT FITTINGS: End Cap
PE2406/PE2708
IPS, Cap Style 2

- Approval: ASTM D2513
 - Approval: ASTM D3261
 - *Approval: CSA B137.4
 - **Approval: IAPMO & CSA B137.4
- Please call for more information on availability, pricing, other sizes and dimensions.

Note: This end not machined to a nominal pipe diameter unless requested.

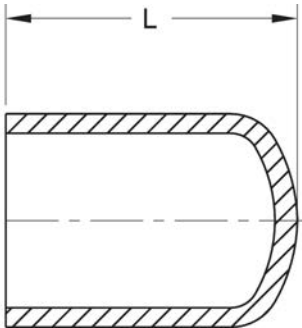


<...>	Size (inch)	SDR	GFCP Part No.	GF Part No.	GF weight (lb)	A (inch)	L (inch)	Box Qty
**	2	11	69102220000	360 002 879	0.331	3.13	7.0	100
**	3	11	69103220000	360 003 406	0.904	2.88	7.4	10
**	4	11	69104220000	360 000 344	1.367	3.00	7.8	10
	4	13.5	6910624	360 000 345	1.455	3.00	7.8	10
**	6	11/11.5	69106220000	360 003 407	4.189	4.22	10.3	5
	6	13.5	6910452	360 000 354	4.034	4.22	10.3	5
**	8	11	69108220000	360 003 409	7.826	5.14	12.4	6
*	8	13.5	6910453	360 000 366	7.804	5.14	12.4	6



BUTT FITTINGS: End Cap
PE2406/PE2708
IPS, Cap Style 1

- Approval: ASTM D2513
 - Approval: ASTM D3261
 - *Approval: CSA B137.4
- Please call for more information on availability, pricing, other sizes and dimensions.



<...>	Size (inch)	SDR	GFCP Part No.	GF Part No.	weight (lb)	L (inch)	Box Qty
	½	9.3	6910631	360 000 311	0.022	2.07	100
*	¾	11	6910221	360 000 315	0.044	2.04	100
*	1	11	6910220	360 000 319	0.044	2.09	100
*	1 ¼	10	6910052	360 000 320	0.110	3.25	50
	1 ½	11	6910225	360 000 323	0.110	2.58	50
	12	11	10010605	360 019 914	18.651	11.93	1
	12	13.5	10010606	360 003 493	17.924	11.93	1

End Caps, PE3408/PE4710

BUTT FITTINGS: Machined End Cap
PE3408/PE4710
IPS

- Approval: AWWA C906
 - Approval: NSF-61
 - **Approval: ASTM D3261
- Please call for more information on availability, pricing, other sizes and dimensions.

<...>	Size (inch)	SDR	GFCP Part No.	GF Part No.	weight (lb)
	10	11	ECI1000110	360 015 443	11.574
	12	9	ECI1200090	360 015 446	16.513
	12	17	ECI1200170	360 015 448	11.266
*	14	11	ECI1400110	360 015 450	20.141
	16	11	ECI1600110	360 015 453	31.747
*	18	9	ECI1800090	360 015 455	42.086
	18	11	ECI1800110	360 015 456	40.367
	18	17	ECI1800170	360 015 457	31.614
	20	11	ECI2000110	360 015 459	51.368
*	20	17	ECI2000170	360 015 460	50.376
	24	11	ECI2400110	360 015 465	90.279
	24	17	ECI2400170	360 015 466	72.532
	28	17	ECI280000S	360 015 468	75.993
	30	11	ECI300000S	360 015 469	142.000

BUTT FITTINGS: Machined End Cap
PE3408/PE4710
DIPS

- Approval: AWWA C906
 - Approval: NSF-61
 - **Approval: ASTM D3261
- Please call for more information on availability, pricing, other sizes and dimensions.

<...>	Size (inch)	SDR	GFCP Part No.	GF Part No.	weight (lb)
	4	11	ECD0400110	360 015 411	1.653
	6	11	ECD0600110	360 015 413	3.329
	8	11	ECD0800110	360 015 416	5.930

table continued on the next page

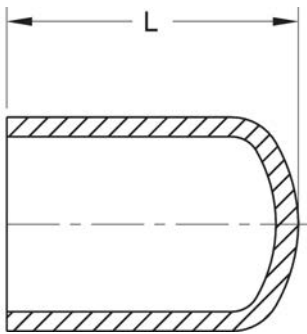
<...>	Size (inch)	SDR	GFCP Part No.	GF Part No.	weight (lb)
*	8	17	ECD0800170	360 015 417	5.688
*	10	11	ECD1000110	360 015 418	12.346
	12	11	ECD1200110	360 015 420	17.461
*	14	17	ECD1400170	360 015 423	0.000
	16	11	ECD1600110	360 015 424	38.890
	18	11	ECD1800110	360 015 426	48.832
*	20	11	ECD2000110	360 015 428	73.149



BUTT FITTINGS: End Cap
PE3408/PE4710
CTS, Style 1

- Approval: ASTM D2513
- Approval: ASTM D3261
- Approval: AWWA C906
- Approval: NSF-61

Please call for more information on availability, pricing, other sizes and dimensions.



Size (inch)	WALL	GFCP Part No.	GF Part No.	weight (lb)	L (inch)	Box Qty
½	.090	10004157	360 004 277	0.000	1.65	100
1	.101	10003122	360 000 316	0.044	2.18	100

BUTT FITTINGS: End Cap
PE3408/PE4710
IPS, Style 1

- Approval: ASTM D2513
- Approval: ASTM D3261
- Approval: AWWA C906
- Approval: NSF-61

Please call for more information on availability, pricing, other sizes and dimensions.

Size (inch)	SDR	GFCP Part No.	GF Part No.	weight (lb)	L (inch)	Box Qty
¾	11	10003713	360 000 314	0.022	2.04	100
1	11	10003837	360 000 318	0.044	2.09	100
1 ¼	11	10001876	360 000 321	0.066	2.25	50
1 ½	9.3	10003942	360 003 578	0.176	3.50	50
1 ½	11	10004159	360 000 322	0.088	2.58	50
2	7	10011771	360 019 920	0.243	2.93	10
2	11	10004165	360 000 334	0.154	2.95	40
6	11	10007786	360 000 352	2.579	6.40	5
6	17	10008768	360 003 442	2.337	6.40	5
8	17	10010818	360 003 500	5.556	7.95	6
12	11	10009510	360 003 454	19.643	11.95	1

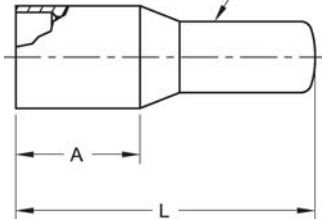


BUTT FITTINGS: End Cap
PE3408/PE4710
IPS, Style 2

- Approval: ASTM D2513
- Approval: ASTM D3261
- Approval: AWWA C906
- Approval: NSF-61

Please call for more information on availability, pricing, other sizes and dimensions.

Note: This end not machined to a nominal pipe diameter unless requested.



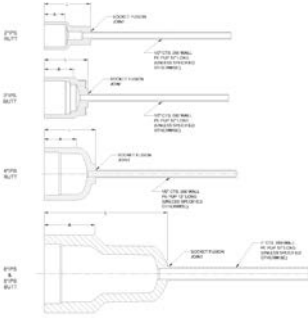
Size (inch)	SDR	GFCP Part No.	GF Part No.	weight (lb)	A (inch)	L (inch)	Box Qty
2	11	10007419	360 000 333	0.353		7.00	100
3	9.3	10003671	360 000 341	0.573	2.88	7.43	10
3	11	10002937	360 000 338	0.794	2.88	7.43	10
3	17	10004168	360 000 339	0.838	2.88	7.43	10
3	7	10011772	360 019 923	1.235	2.88	7.43	10
4	7	10011773	360 019 928	1.764	3.00	7.75	10
4	9	10004173	360 000 351	2.116	3.00	10.70	10
4	11	10002938	360 000 343	1.367	3.00	7.43	10
4	17	10004171	360 000 347	1.279	3.00	7.75	10
6	7	10011774	360 019 931	4.696	4.22	10.25	5
6	9	10004179	360 000 361	3.109	4.22	10.25	5
8	9	10004184	360 000 371	8.289	5.14	12.41	6

Purge Caps



BUTT FITTINGS: Fusion Purge Cap with Pup PE2406/PE2708 DR11

- Approval: ASTM D2513
 - Approval: ASTM D3261
- Please call for more information on availability, pricing, other sizes and dimensions.



(PURGE CAPS WITH PUP SHOWN CAN ALSO BE MADE AVAILABLE WITHOUT PUP/PUP FUSION)

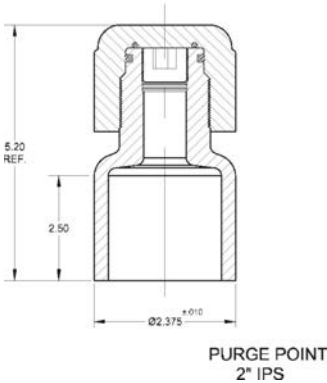
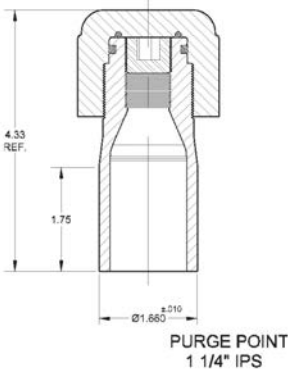
Size (inch)	Outlet Size (inch)	GFCP Part No.	GF Part No.	weight (lb)	A (inch)	L (inch)	Box Qty
6	½	10003240	360 003 038	3.748	4.08	10.46	10

Purge Points



BUTT FITTINGS: Purge Point
PE2406/PE2708
IPS

- Approval: ASTM D2513
 - Approval: ASTM D3261
- Please call for more information on availability, pricing, other sizes and dimensions.



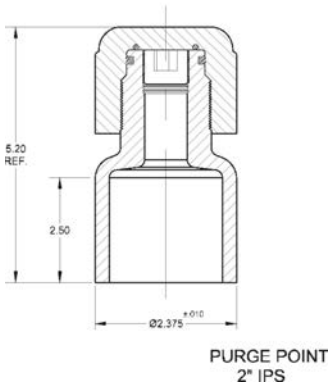
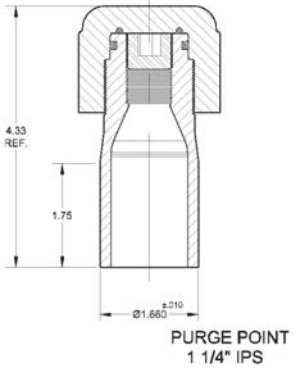
Size (inch)	SDR	GFCP Part No.	GF Part No.	weight (lb)	Box Qty
1 1/4	10	6911803	360 002 053	0.375	10
2	11	6912107	360 002 056	0.485	40



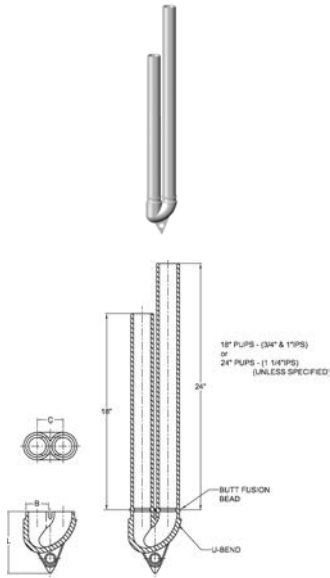
BUTT FITTINGS: Purge Point
PE3408/PE4710
IPS, DR11

- Approval: ASTM D2513
 - Approval: ASTM D3261
- Please call for more information on availability, pricing, other sizes and dimensions.

Size (inch)	GFCP Part No.	GF Part No.	weight (lb)	Box Qty
1 1/4	10004308	360 002 054	0.507	10
2	10004307	360 002 055	0.485	40



Geo-Loops (U-Bends)



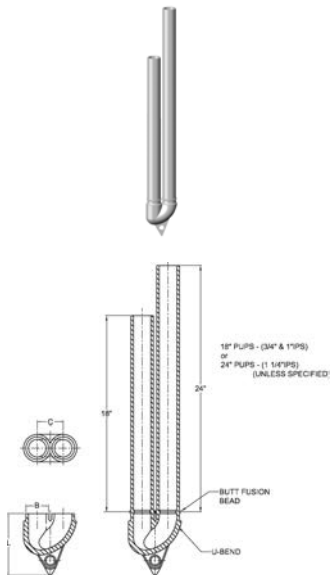
BUTT FITTINGS: Geo-Loop (U-Bend) PE3408/PE4710 with 18" & 24" Pups, DR11

- Available in PE3408/PE4710 only.
Please call for more information on availability, pricing, other sizes and dimensions.

Size (inch)	GFCP Part No.	GF weight Part No.	GF weight (lb)	B (inch)	C (inch)	L (inch)	Box Qty
3/4	10004317	360 002 798	1.235	1.05	1.75	3.84	15
1	10004318	360 002 796	1.433	1.31	1.82	3.84	15
1 1/4	10004319	360 002 794	1.830	1.66	1.91	4.55	15

BUTT FITTINGS: Geo-Loop (U-Bend) PE3408/PE4710

- Available in PE3408/PE4710 only.
Please call for more information on availability, pricing, other sizes and dimensions.



Size (inch)	SDR	GFCP Part No.	GF weight Part No.	GF weight (lb)	B (inch)	C (inch)	L (inch)	Box Qty
3/4	11	10004311	360 002 793	0.132	1.05	1.75	3.84	100
1	11	10004310	360 002 792	0.132	1.31	1.82	3.84	100
1 1/4	9.3	10004309	360 002 791	0.287	1.66	1.91	4.55	100

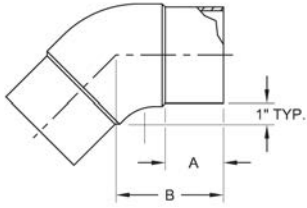
Butt Elbow

45° Butt Elbow PE2406/PE2708 IPS



BUTT FITTINGS: 45° Butt Elbow PE2406/PE2708 IPS, DR11/11.5

- Approval: ASTM D2513
 - Approval: ASTM D3261
 - *Approval: CSA B137.4
- Please call for more information on availability, pricing, other sizes and dimensions.

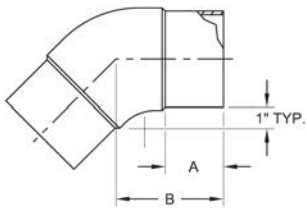


<...>	Size (inch)	GFCP Part No.	GF Part No.	weight (lb)	A (inch)	B (inch)	Box Qty
	3	6910559	360 000 188	1.609	3.13	5.00	10
*	4	6911483	360 000 195	2.668	3.00	5.00	10
	6	10014452	360 029 220	8.598	4.96	9.00	2
	8	10014471		18.630	6.56	11.50	2



BUTT FITTINGS: 45° Butt Elbow PE2406/PE2708 IPS, DR13.5

- Approval: ASTM D2513
 - Approval: ASTM D3261
- Please call for more information on availability, pricing, other sizes and dimensions.

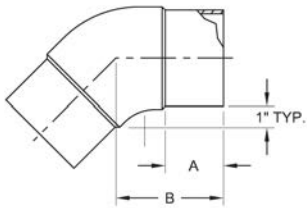


Size (inch)	GFCP Part No.	GF Part No.	weight (lb)	A (inch)	B (inch)	Box Qty
4	6911526	360 000 197	2.513	3.00	5.00	10
6	10014453		4.700	4.96	9.00	2
8	10014472		18.400	6.56	11.50	2
10	6910964	360 000 170	36.509	6.00	13.25	1
12	6910967	360 000 181	60.495	7.50	15.75	1



BUTT FITTINGS: 45° Butt Elbow PE2406/PE2708 IPS, DR11

- Approval: ASTM D2513
 - Approval: ASTM D3261
- Please call for more information on availability, pricing, other sizes and dimensions.



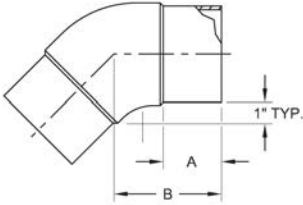
Size (inch)	GFCP Part No.	GF Part No.	weight (lb)	A (inch)	B (inch)	Box Qty
10	6910954	360 000 168	36.509	6.00	13.25	1
12	6910960	360 000 179	61.399	7.50	15.75	1

45° Butt Elbow PE3408/PE4710 IPS



BUTT FITTINGS: 45° Butt Elbow PE3408/PE4710 IPS, DR7

- Approval: ASTM D2513
 - Approval: ASTM D3261
 - Approval: AWWA C906
- Please call for more information on availability, pricing, other sizes and dimensions.

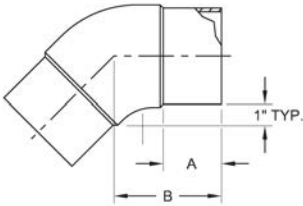


Size (inch)	GFCP Part No.	GF Part No.	weight (lb)	A (inch)	B (inch)	Box Qty
2	10007359	360 000 187	1.323			10
3	10011752	360 019 860	1.852	3.13	5.00	10
4	10011753	360 019 864	3.307	3.00	5.00	10
6	10011754	360 019 866	8.995	4.38	7.00	2
8	10011755	360 019 871	23.810	6.00	11.00	2



BUTT FITTINGS: 45° Butt ELbow PE3408/PE4710 IPS, DR9

- Approval: ASTM D2513
 - Approval: ASTM D3261
 - Approval: AWWA C906
- Please call for more information on availability, pricing, other sizes and dimensions.

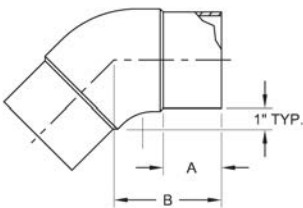


Size (inch)	GFCP Part No.	GF Part No.	weight (lb)	A (inch)	B (inch)	Box Qty
6	10004101	360 000 216	7.430	4.38	7.00	2
8	10004107	360 000 227	24.008	6.00	11.00	2
10	10004074	360 000 175	42.990	6.00	13.25	1
12	10004083	360 000 186	67.991	7.50	15.75	1



BUTT FITTINGS: 45° Butt Elbow PE3408/PE4710 IPS, DR9/9.3

- Approval: ASTM D2513
 - Approval: ASTM D3261
 - Approval: AWWA C906
- Please call for more information on availability, pricing, other sizes and dimensions.

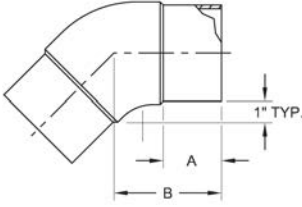


Size (inch)	GFCP Part No.	GF Part No.	weight (lb)	A (inch)	B (inch)	Box Qty
3	10004087	360 000 019	1.808	3.13	5.00	10
4	10004094	360 000 203	2.800	3.00	5.00	10



BUTT FITTINGS: 45° Butt Elbow
PE3408/PE4710
IPS, DR11

- Approval: ASTM D2513
 - Approval: ASTM D3261
 - Approval: AWWA C906
- Please call for more information on availability, pricing, other sizes and dimensions.

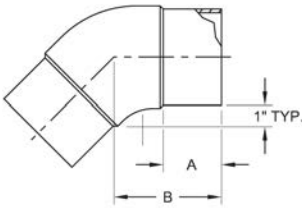


Size (inch)	GFCP Part No.	GF Part No.	weight (lb)	A (inch)	B (inch)	Box Qty
3	10002941	360 000 048	1.609	3.13	5.00	10
4	10009504	360 029 039	3.020	3.88	5.00	10
6	10009505	360 028 266	8.620	4.96	7.00	2
8	10009506	360 019 868	18.629	6.56	11.00	2
10	10004070	360 000 052	41.491	6.00	13.25	1
12	10004078	360 000 178	60.010	7.50	15.75	1



BUTT FITTINGS: 45° Butt Elbow
PE3408/PE4710
IPS, DR17

- Approval: ASTM D2513
 - Approval: ASTM D3261
 - Approval: AWWA C906
 - *Approval: NSF-61
- Please call for more information on availability, pricing, other sizes and dimensions.



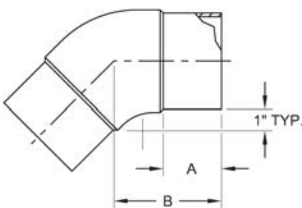
<...>	Size (inch)	GFCP Part No.	GF Part No.	weight (lb)	A (inch)	B (inch)	Box Qty
	3	10004085	360 000 189	1.521	3.13	5.00	10
*	4	10013398	360 029 042	2.535	3.90	7.10	10
*	6	10013377	360 029 044	8.047	4.96	9.00	2
*	8	10013372	360 028 219	17.725	6.56	11.45	2
	10	10004073	360 000 173	38.008	6.00	13.25	1
	12	10004082	360 000 184	58.996	7.50	15.75	1

45° Butt Elbow PE3408/PE4710 DIPS



BUTT FITTINGS: 45° Butt Elbow
PE3408/PE4710
DIPS, DR11

- Approval: ASTM D2513
 - Approval: ASTM D3261
 - Approval: AWWA C906
- Please call for more information on availability, pricing, other sizes and dimensions.



Size (inch)	GFCP Part No.	GF Part No.	weight (lb)	A (inch)	B (inch)	Box Qty
4	10004088	360 000 192	3.109	4.10	6.05	10
6	10004095	360 000 204	8.885	5.10	7.16	2
8	10004103	360 000 217	14.771	5.17	8.32	2
10	10004069	360 000 166	42.990	6.00	13.25	1
12	10004076	360 000 176	67.991	7.50	15.75	1

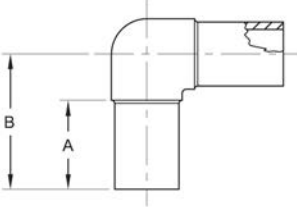
90° Butt Elbow PE2406/PE2708 CTS & IPS



BUTT FITTINGS: 90° Butt Elbow PE2406/PE2708 CTS, .101 Wall

- Approval: ASTM D2513
 - Approval: ASTM D3261
- Please call for more information on availability, pricing, other sizes and dimensions.

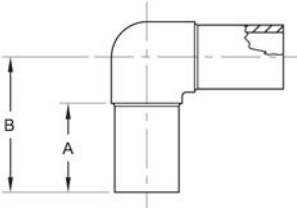
Size (inch)	GFCP Part No.	GF weight Part No.	GF weight (lb)	A (inch)	B (inch)	Box Qty
1	6912014	360 000 233	0.110	2.25	3.69	100



BUTT FITTINGS: 90° Butt Elbow PE2406/PE2708 IPS, DR9.3

- Approval: ASTM D2513
 - Approval: ASTM D3261
 - *Approval: IAPMO
 - **Approval: IAPMO & CSA B137.4
- Please call for more information on availability, pricing, other sizes and dimensions.

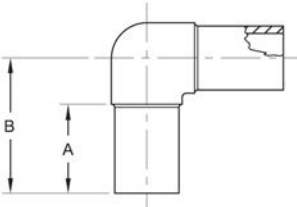
<...>	Size (inch)	GFCP Part No.	GF weight Part No.	GF weight (lb)	A (inch)	B (inch)	Box Qty
*	3/4	6910068	360 000 231	0.132	2.63	4.00	100
	1	6910067	360 000 237	0.198	2.63	4.00	100
**	1 1/4	6910056	360 000 240	0.287	2.63	4.00	100
*	1 1/2	6910265	360 000 244	0.397	2.63	4.00	80



BUTT FITTINGS: 90° Butt Elbow PE2406/2708 IPS, DR11

- Approval: ASTM D2513
 - Approval: ASTM D3261
 - *Approval: CSA B137.4
 - **Approval: IAPMO
- Please call for more information on availability, pricing, other sizes and dimensions.

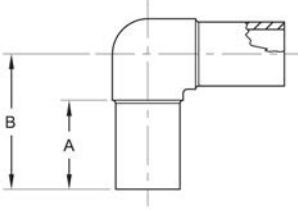
<...>	Size (inch)	GFCP Part No.	GF weight Part No.	GF weight (lb)	A (inch)	B (inch)	Box Qty
*	3/4	6916262	360 000 229	0.088	2.63	4.00	100
*	1	6911354	360 000 235	0.132	1.75	3.19	100
*	1 1/2	6911356	360 000 242	0.331	2.33	4.00	10
**	2	6912133	360 000 267	0.683	2.81	4.68	10
	10	6910952	360 000 247	36.509	6.00	13.25	1
	12	6910958	360 000 258	57.298	7.50	15.88	1





BUTT FITTINGS: 90° Butt Elbow
PE2406/PE2708
IPS, DR11/11.5

- Approval: ASTM D2513
 - Approval: ASTM D3261
 - *Approval: CSA B137.4
 - **Approval: IAPMO & CSA B137.4
- Please call for more information on availability, pricing, other sizes and dimensions.

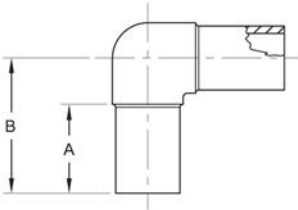


<...>	Size (inch)	GFCP Part No.	GF Part No.	weight (lb)	A (inch)	B (inch)	Box Qty
**	3	6911433	360 000 270	1.631	3.00	5.13	10
**	4	6912158	360 000 276	3.109	3.00	6.86	10
	6	10009792	360 000 286	7.848	4.64	9.18	2
*	8	6910480	360 000 300	20.900	6.00	12.00	2



BUTT FITTINGS: 90° Butt Elbow
PE2406/PE2708
IPS, DR13.5

- Approval: ASTM D2513
 - Approval: ASTM D3261
 - *Approval: CSA B137.4
- Please call for more information on availability, pricing, other sizes and dimensions.



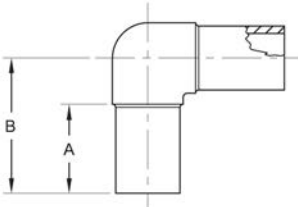
<...>	Size (inch)	GFCP Part No.	GF Part No.	weight (lb)	A (inch)	B (inch)	Box Qty
	4	6911424	360 000 277	3.064	3.00	6.86	10
	6	6910455	360 000 287	10.009	4.64	9.18	2
*	8	6910499	360 000 302	20.900	6.00	12.00	2
	10	6910963	360 000 249	33.995	6.00	13.25	1
	12	6910966	360 000 260	55.005	7.50	15.88	1

90° Butt Elbow PE3408/PE4710 IPS



BUTT FITTINGS: 90° Butt Elbow
PE3408/PE4710
IPS, DR7

- Approval: ASTM D2513
 - Approval: ASTM D3261
 - Approval: AWWA C906
 - Approval: NSF-61
- Please call for more information on availability, pricing, other sizes and dimensions.



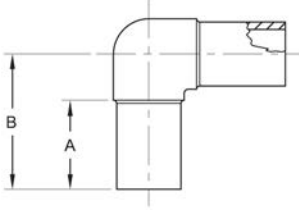
Size (inch)	GFCP Part No.	GF Part No.	weight (lb)	A (inch)	B (inch)	Box Qty
2	10011756	360 003 514	0.816	2.81	4.50	10
3	10011757	360 019 890	1.874	3.00	5.13	10
4	10011758	360 019 897	3.748	3.00	5.75	10
6	10011759	360 019 901	10.803	4.38	9.00	2
8	10011760	360 019 905	25.000	6.00	12.00	2



BUTT FITTINGS: 90° Butt Elbow
PE3408/PE4710
IPS, DR9

- Approval: ASTM D2513
- Approval: ASTM D3261
- Approval: AWWA C906
- Approval: NSF-61

Please call for more information on availability, pricing, other sizes and dimensions.



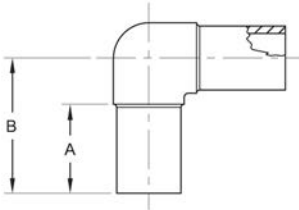
Size (inch)	GFCP Part No.	GF Part No.	weight (lb)	A (inch)	B (inch)	Box Qty
8	10004155	360 000 309	24.01	6.00	12.00	2
10	10004121	360 000 255	43.50	6.00	13.25	1
12	10003928	360 000 266	63.01	7.50	15.88	1



BUTT FITTINGS: 90° Butt Elbow
PE3408/PE4710
IPS, DR9/9.3

- Approval: ASTM D2513
- Approval: ASTM D3261
- Approval: AWWA C906
- Approval: NSF-61

Please call for more information on availability, pricing, other sizes and dimensions.



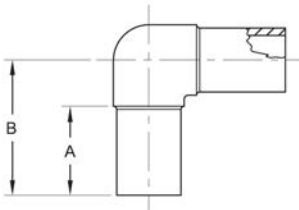
Size (inch)	GFCP Part No.	GF Part No.	weight (lb)	A (inch)	B (inch)	Box Qty
2	10004131	360 000 020	0.683	2.81	4.50	10
3	10004133	360 000 021	2.116	3.00	5.13	10
4	10004137	360 000 281	3.616	3.00	5.75	10
6	10004148	360 000 295	9.965	4.38	9.00	2



BUTT FITTINGS: 90° Butt Elbow
PE3408/PE4710
IPS, DR9.3

- Approval: ASTM D2513
- Approval: ASTM D3261
- Approval: AWWA C906
- Approval: NSF-61

Please call for more information on availability, pricing, other sizes and dimensions.

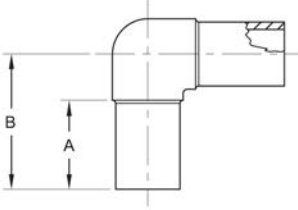


Size (inch)	GFCP Part No.	GF Part No.	weight (lb)	A (inch)	B (inch)	Box Qty
¾	10004110	360 000 230	0.154	2.63	4.00	100
1	10003813	360 000 236	0.198	2.63	4.00	100
1 ¼	10004112	360 000 239	0.309	2.63	4.00	100
1 ½	10004114	360 000 243	0.375	2.63	4.00	80



BUTT FITTINGS: 90° Butt Elbow
PE3408/PE4710
IPS, DR11

- Approval: ASTM D2513
 - Approval: ASTM D3261
 - Approval: AWWA C906
 - Approval: NSF-61
- Please call for more information on availability, pricing, other sizes and dimensions.

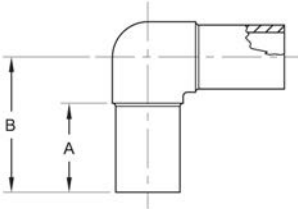


Size (inch)	GFCP Part No.	GF Part No.	weight (lb)	A (inch)	B (inch)	Box Qty
¾	10004109	360 000 228	0.088	1.75	3.06	100
1	10004111	360 000 234	0.132	1.75	3.19	100
1 ¼	10002945	360 000 238	0.265	1.80	3.38	100
1 ½	10004113	360 000 241	0.331	2.33	4.02	40
2	10002946	360 000 040	0.661	2.81	4.68	10
3	10007745	360 000 041	1.631	3.16	5.99	10
4	10013935	360 029 251	3.241	3.87	6.90	10
6	10007785	360 000 043	7.848	4.64	9.18	2
8	10007788	360 000 044	17.240	6.33	11.95	2
10	10004116	360 000 045	35.803	6.00	13.25	1
12	10003853	360 000 046	59.701	7.50	15.88	1



BUTT FITTINGS: 90° Butt Elbow
PE3408/PE4710
IPS, DR17

- Approval: ASTM D2513
 - Approval: ASTM D3261
 - Approval: AWWA C906
 - Approval: NSF-61
- Please call for more information on availability, pricing, other sizes and dimensions.



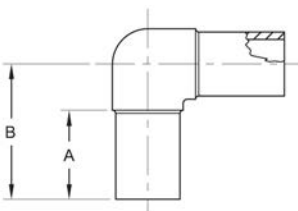
Size (inch)	GFCP Part No.	GF Part No.	weight (lb)	A (inch)	B (inch)	Box Qty
2	10004130	360 000 268	0.529	2.81	4.50	10
3	10008763	360 000 271	1.521	3.16	5.99	10
4	10003465	360 000 022	3.395	3.16	6.87	10
6	10008764	360 000 289	7.297	4.64	9.18	2
8	10008766	360 000 304	16.006	6.33	11.95	2
10	10004119	360 000 252	33.003	6.00	13.25	1
12	10004127	360 000 263	52.007	7.50	15.88	1

90° Butt Elbow PE3408/PE4710 DIPS



BUTT FITTINGS: 90° Butt Elbow
PE3408/PE4710
DIPS, DR11

- Approval: ASTM D2513
 - Approval: ASTM D3261
 - Approval: AWWA C906
 - Approval: NSF-61
- Please call for more information on availability, pricing, other sizes and dimensions.



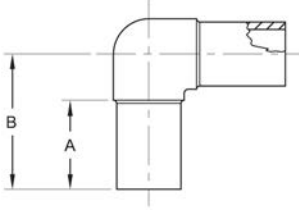
Size (inch)	GFCP Part No.	GF Part No.	weight (lb)	A (inch)	B (inch)	Box Qty
4	10004134	360 000 273	4.299	4.10	7.82	10
6	10004139	360 000 282	8.995	5.10	9.67	1
8	10004149	360 000 296	19.004	5.17	11.58	2
10	10004115	360 000 245	39.000	6.00	13.25	1
12	10004123	360 000 256	62.501	7.50	15.88	1



BUTT FITTINGS: 90° Butt Elbow
PE3408/PE4710
DIPS, DR17

- Approval: ASTM D2513
- Approval: ASTM D3261
- Approval: AWWA C906
- Approval: NSF-61

Please call for more information on availability, pricing, other sizes and dimensions.



Size (inch)	GFCP Part No.	GF Part No.	weight (lb)	A (inch)	B (inch)	Box Qty
6	10004140	360 000 283	10.494	5.10	9.67	2
8	10004150	360 000 297	21.010	5.17	11.58	

Butt Tee

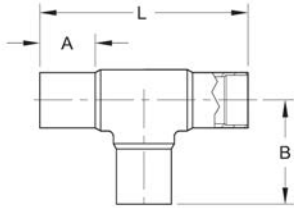
Butt Tee, PE2406/PE2708, CTS & IPS



BUTT FITTINGS: Butt Tee PE2406/PE2708 IPS, DR11

- Approval: ASTM D2513
- Approval: ASTM D3261
- **Approval: IAPMO & CSA B137.4
- *Approval: CSA B137.4

Please call for more information on availability, pricing, other sizes and dimensions.



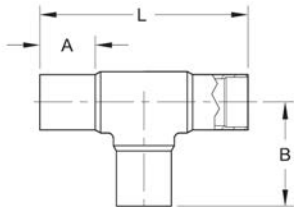
<...>	Size (inch)	GFCP Part No.	GF Part No.	weight (lb)	A (inch)	B (inch)	L (inch)	Box Qty
*	3/4	6910216	360 000 478	0.132	1.75	3.06	6.12	50
*	1	6910217	360 000 483	0.198	1.75	3.19	6.38	100
*	1 1/2	6910226	360 000 488	0.485	2.30	4.25	8.50	40
**	2	6912135	360 000 515	0.882	2.54	4.61	9.28	10
	10	6910950	360 000 494	51.500	6.00	13.25	26.50	1
	12	6910956	360 000 505	80.998	7.50	15.88	31.75	1



BUTT FITTINGS: Butt Tee PE2406/PE2708 IPS, DR11/11.5

- Approval: ASTM D2513
- Approval: ASTM D3261
- **Approval: IAPMO & CSA B137.4
- *Approval: CSA B137.4.1

Please call for more information on availability, pricing, other sizes and dimensions.



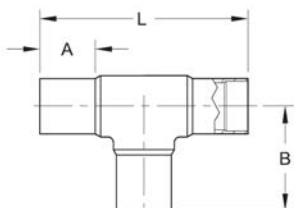
<...>	Size (inch)	GFCP Part No.	GF Part No.	weight (lb)	A (inch)	B (inch)	L (inch)	Box Qty
**	3	6911434	360 000 520	2.161	2.90	5.13	10.26	10
	4	10012423	360 029 209	4.740	3.90	7.30	14.60	8
**	6	691060624000	360 000 539	13.007	4.30	9.00	18.00	1
*	8	6910476	360 000 552	29.299	6.00	12.00	24.00	1



BUTT FITTINGS: Butt Tee PE2406/PE2708 IPS, DR13.5

- Approval: ASTM D2513
- Approval: ASTM D3261
- *Approval: CSA B137.4

Please call for more information on availability, pricing, other sizes and dimensions.



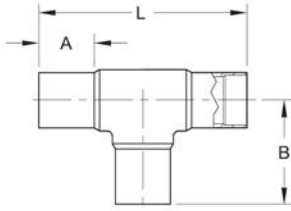
<...>	Size (inch)	GFCP Part No.	GF Part No.	weight (lb)	A (inch)	B (inch)	L (inch)	Box Qty
	4	10014253		4.500	3.90	7.30	14.60	8
	6	6910454	360 000 540	13.691	4.30	9.00	18.00	1
*	8	6910569	360 000 554	30.292	6.00	12.00	24.00	1
	10	6910962	360 000 496	49.494	6.00	13.25	26.50	1
	12	6910965	360 000 507	75.508	7.50	15.88	31.75	1



BUTT FITTINGS: Butt Tee
PE2406/PE2708
CTS

- Approval: ASTM D2513
- Approval: ASTM D3261
- *Approval: CSA B137.4

Please call for more information on availability, pricing, other sizes and dimensions.



<...>	Size (inch)	GFCP Part No.	GF Part No.	weight (lb)	A (inch)	B (inch)	L (inch)	Box Qty
*	1/2	6911493	360 000 474	0.044	1.75	2.85	5.70	100
	3/4	6912139	360 000 476	0.132	2.25	3.56	7.12	100
	1	6911790	360 000 480	0.154	2.25	3.62	7.25	50

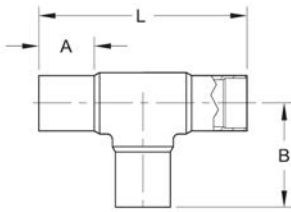
Butt Tee, PE 3408/PE4710, IPS/CTS



BUTT FITTINGS: Butt Tee
PE3408/PE4710
IPS, DR7

- Approval: ASTM D2513
- Approval: ASTM D3261
- Approval: AWWA C906
- Approval: NSF-61

Please call for more information on availability, pricing, other sizes and dimensions.



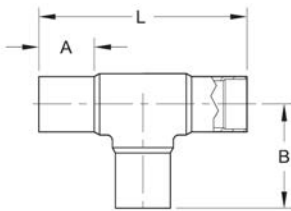
Size (inch)	GFCP Part No.	GF Part No.	weight (lb)	A (inch)	B (inch)	L (inch)	Box Qty
2	10011761	360 020 015	1.102	2.81	4.75	9.36	10
3	10011762	360 020 019	2.690	3.00	5.13	10.26	10
4	10011763	360 020 025	4.652	3.00	5.60	11.60	10
6	10011764	360 020 030	15.168	4.38	9.00	18.00	1
8	10011765	360 020 036	34.877	6.00	12.00	24.00	1



BUTT FITTINGS: Butt Tee
PE3408/PE4710
IPS, DR9

- Approval: ASTM D2513
- Approval: ASTM D3261
- Approval: AWWA C906
- Approval: NSF-61

Please call for more information on availability, pricing, other sizes and dimensions.

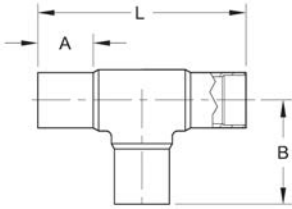


Size (inch)	GFCP Part No.	GF Part No.	weight (lb)	A (inch)	B (inch)	L (inch)	Box Qty
4	10002073	360 000 534	4.453	3.00	5.60	11.20	10
6	10004263	360 000 547	15.102	4.38	9.00	18.00	1
8	10004273	360 000 560	34.106	6.00	12.00	24.00	1
10	10004238	360 000 501	58.996	6.00	13.25	26.50	1
12	10004247	360 000 513	91.007	7.50	15.88	31.75	1



BUTT FITTINGS: Butt Tee
PE3408/PE4710
IPS, DR9/9.3

- Approval: ASTM D2513
 - Approval: ASTM D3261
 - Approval: AWWA C906
 - Approval: NSF-61
- Please call for more information on availability, pricing, other sizes and dimensions.

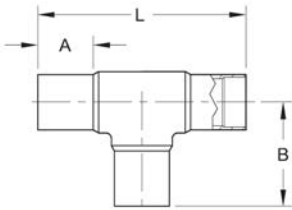


Size (inch)	GFCP Part No.	GF Part No.	GF weight (lb)	A (inch)	B (inch)	L (inch)	Box Qty
2	10004250	360 000 038	0.904	2.81	4.75	9.36	10
3	10004253	360 000 523	2.315	2.90	5.13	10.26	10
6	10004263		15.100	4.38	9.00	18.00	1



BUTT FITTINGS: Butt Tee
PE3408/PE4710
IPS, DR11

- Approval: ASTM D2513
 - Approval: ASTM D3261
 - Approval: AWWA C906
 - Approval: NSF-61
 - *Approval: FM 1613; FM CL150; NSF-61
- Please call for more information on availability, pricing, other sizes and dimensions.

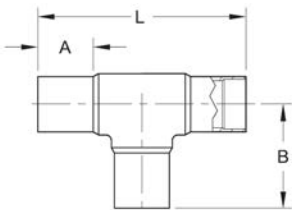


<...>	Size (inch)	GFCP Part No.	GF Part No.	GF weight (lb)	A (inch)	B (inch)	L (inch)	Box Qty
	3/4	10003969	360 000 477	0.044	1.75	3.06	6.12	50
	1	10003838	360 000 482	0.198	1.75	3.19	6.38	100
	1 1/4	10003815	360 000 486	0.419	1.88	3.38	6.76	50
	1 1/2	10004230	360 000 487	0.419	2.30	4.25	8.50	40
	2	10002956	360 000 514	0.904	2.54	4.61	9.28	10
	3	10007746	360 000 519	2.205	3.16	5.99	11.98	10
	4	10012422	360 029 052	4.762	3.90	7.30	14.60	8
	* 6	10007787	360 000 538	10.560	4.89	9.00	18.00	1
	8	10007789	360 000 551	29.895	6.19	12.00	24.00	1
	10	10004233	360 000 053	50.001	6.00	13.25	26.50	1
	12	10004242	360 000 504	77.007	7.50	15.88	31.75	1



BUTT FITTINGS: Butt Tee
PE3408/PE4710
IPS, DR17

- Approval: ASTM D2513
 - Approval: ASTM D3261
 - Approval: AWWA C906
 - Approval: NSF-61
- Please call for more information on availability, pricing, other sizes and dimensions.



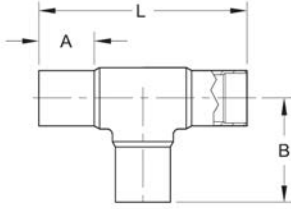
Size (inch)	GFCP Part No.	GF Part No.	GF weight (lb)	A (inch)	B (inch)	L (inch)	Box Qty
2	10004249	360 000 517	0.992	2.54	4.61	9.28	10
3	10008631	360 000 521	2.094	3.16	5.99	11.98	10
4	10014249		4.390	3.90	7.30	14.60	8
6	10008765	360 000 542	13.492	4.89	9.00	18.00	1
8	10008767	360 000 555	22.994	6.19	12.00	24.00	1
10	10004237	360 000 499	46.495	6.00	13.25	26.50	1
12	10004246	360 000 510	71.011	7.50	15.88	31.75	1



BUTT FITTINGS: Butt Tee
PE3408/PE4710
CTS

- Approval: ASTM D2513
- Approval: ASTM D3261
- Approval: AWWA C906
- Approval: NSF-61

Please call for more information on availability, pricing, other sizes and dimensions.



Size (inch)	GFCP Part No.	GF Part No.	weight (lb)	A (inch)	B (inch)	L (inch)	Box Qty
½	10004229	360 000 473	0.066	1.75	2.85	5.7	100
1	10002906	360 000 479	0.154	2.25	3.62	7.25	50

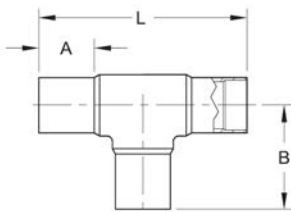
Butt Tee, PE3408/PE4710, DIPS



BUTT FITTINGS: Butt Tee
PE3408/PE4710
DIPS, DR11

- Approval: AWWA C906
- Approval: NSF-61

Please call for more information on availability, pricing, other sizes and dimensions.



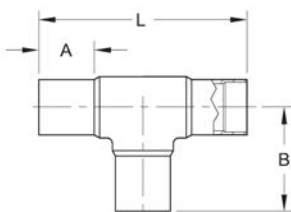
Size (inch)	GFCP Part No.	GF Part No.	weight (lb)	A (inch)	B (inch)	L (inch)	Box Qty
4	10004254	360 000 524	6.195	4.10	7.85	15.63	5
6	10004257	360 000 535	13.007	5.10	9.67	19.34	1
8	10004266	360 000 548	30.005	5.17	11.58	23.15	1
10	10004232	360 000 492	53.991	6.00	13.25	26.50	
12	10004240	360 000 502	88.009	7.50	15.88	31.75	



BUTT FITTINGS: Butt Tee
PE3408/PE4710
DIPS, DR17

- Approval: AWWA C906
- Approval: NSF-61

Please call for more information on availability, pricing, other sizes and dimensions.



Size (inch)	GFCP Part No.	GF Part No.	weight (lb)	A (inch)	B (inch)	L (inch)	Box Qty
6	10004258	360 000 536	15.146	5.10	9.67	19.34	1
8	10004267	360 000 549	27.690	5.17	11.58	23.15	1

Butt Reducers

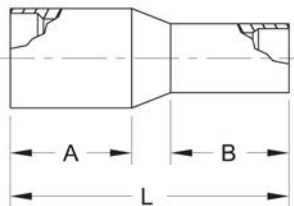
Butt Reducer PE2406/PE2708 IPS/CTS



BUTT FITTINGS: Butt Reducer PE2406/PE2708 CTS and IPS

- Approval: ASTM D2513
- Approval: ASTM D3261
- *Approval: CSA B137.4
- **Approval: IAPMO

Please call for more information on availability, pricing, other sizes and dimensions.



<...>	Size	GFCP Part No.	GF Part No.	weight (lb)	A (inch)	B (inch)	L (inch)	Box Qty
	1" CTS x 1/2" CTS	6911789	360 000 374	0.044	1.79	2.00	4.00	100
	1" IPS x 1/2" CTS	6911893	360 000 377	0.044	1.60	1.80	4.58	100
	1" IPS x 1/2" IPS	6911248	360 000 379	0.066		1.25	4.00	100
	1" IPS x 3/4" CTS	6911234	360 000 381	0.066		1.74	4.50	100
	1" IPS x 3/4" IPS	6910223	360 000 383	0.088		1.75	4.50	100
	1" IPS x 1" CTS	6911238	360 000 385	0.088		2.25	4.50	100
	1" IPS x 1" CTS	6911719	360 000 386	0.088		2.25	4.50	100
	1-1/4" CTS x 1" IPS	6911245	360 000 388	0.066		1.50	3.75	100
	1-1/4" IPS x 1" CTS	10000725	360 000 389	0.088		2.00	2.34	30
	1-1/4" IPS x 1" IPS	6910218	360 000 390	0.110		1.92	4.25	100
	1-1/2" IPS x 3/4" IPS	6910073	360 000 398	0.198		2.40	5.69	100
*	1-1/2" IPS x 1" IPS	6910227	360 000 394	0.176		2.28	5.75	100
	1-1/2" IPS x 1-1/4" IPS	6911809	360 000 396	0.198		2.58	6.05	100
	2" IPS x 1" IPS	10009614	360 003 460	0.287		2.88	6.94	100
	2" IPS x 1-1/4" CTS	6912314	360 000 417	0.220		2.88	6.31	100
**	2" IPS x 1-1/4" IPS	6910022	360 000 419	0.309		2.56	6.44	100
*	2" IPS x 1-1/2" IPS	6910228	360 000 423	0.331		2.72	6.00	50
**	4" IPS x 2" IPS	6910025	360 000 433	1.014		2.75	7.16	10
	4" IPS x 2" IPS	6910625	360 000 434	0.948		2.75	7.16	10
	4" IPS x 3" IPS	10014958	360 000 435	1.036		2.50	7.63	10
	6" IPS x 4" IPS	6911477	360 000 449	2.998		3.75	9.13	5
	6" IPS x 4" IPS	6911600	360 000 450	3.086		3.75	9.13	5
	8" IPS x 6" IPS	6912389	360 000 461	5.864		4.69	10.84	6
	8" IPS x 6" IPS	6911107	360 000 462	5.997		4.69	10.84	6
*	8" IPS x 6" IPS	6910451	360 000 464	5.313		4.69	10.84	6

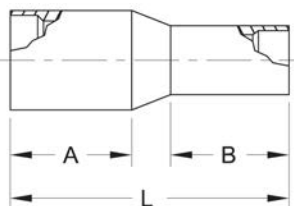
Butt Reducer PE3408/PE4710 IPS/CTS



BUTT FITTINGS: Butt Reducer PE3408/PE4710 CTS and IPS

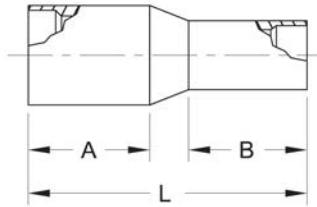
- Approval: AWWA C906
- Approval: NSF-61

Please call for more information on availability, pricing, other sizes and dimensions.



Size	SDR	GFCP Part No.	GF Part No.	weight (lb)	A (inch)	B (inch)	L (inch)	Box Qty
1" CTS x 1/2" CTS	.101 x .090	10004187	360 000 373	0.044	1.79	2.00	4.00	100
1" IPS x 1/2" CTS	DR9.3 x .090	10004189	360 000 376	0.044	1.60	1.80	4.58	50
1" IPS x 3/4" CTS	DR9.3 x .090	10004191	360 000 380	0.066	1.50	1.74	4.50	100
1" IPS x 1" CTS	DR9.3 x .090	10004194	360 000 384	0.088	1.60	2.25	4.50	100
1" IPS x 1" CTS	DR9.3 x .121	10004195	360 003 047	0.000	1.60	2.25	4.50	100
3/4" IPS x 3/4" CTS	DR11 x .090	10004186	360 000 372	0.000	1.79	2.00	4.00	100
1" IPS x 3/4" CTS	DR11 x .090	10004188	360 000 375	0.066	1.50	1.80	4.50	100
2" IPS x 1-1/4" CTS	DR11 x .090	10004200	360 000 416	0.287	2.49	2.88	6.31	10

table continued on the next page



Size	SDR	GFCP Part No.	GF Part No.	weight (lb)	A (inch)	B (inch)	L (inch)	Box Qty
1" IPS x 1/2" IPS	DR9.3	10004190	360 000 378	0.066	1.50	1.25	4.00	100
1" IPS x 3/4" IPS	DR9.3	10004192	360 000 382	0.088	1.50	1.75	4.50	100
1-1/2" IPS x 1" IPS	DR9.3	10004199	360 000 399	0.176	2.50	2.28	5.75	100
3" IPS x 2" IPS	DR9	10004208	360 000 429	1.213	3.13	3.13	9.37	10
3" IPS x 2" IPS	DR9/9.3	10004209	360 000 430	1.146	3.13	3.13	9.37	10
4" IPS x 2" IPS	DR9/9.3	10004215	360 000 445	2.072	3.00	3.00	11.53	10
4" IPS x 3" IPS	DR9/9.3	10004216	360 000 446	1.742	3.13	3.13	8.62	10
6" IPS x 4" IPS	DR9	10004221	360 000 458	3.660	4.22	3.75	9.13	5
8" IPS x 6" IPS	DR9	10004227	360 000 472	7.694	5.00	4.64	10.70	6
10" IPS x 8" IPS	DR9	10000627	360 000 405	19.268	6.00	6.00	16.00	1
12" IPS x 10" IPS	DR9	10000628	360 000 412	27.315	6.63	6.25	14.88	1
1-1/4" IPS x 1" IPS	DR11	10004197	360 000 391	0.110	1.86	1.92	4.25	100
1-1/2" IPS x 1" IPS	DR11	10004198	360 000 393	0.154	2.50	2.28	5.75	100
4" IPS x 3" IPS	DR11	10007482	360 000 069	1.323	3.13	3.13	8.62	10
8" IPS x 6" IPS	DR11	10007483	360 000 068	7.011	6.00	6.00	11.81	6
12" IPS x 8" IPS	DR11	10013268	360 029 046	18.298				1
4" IPS x 2" IPS	DR17	10004212	360 000 440	0.882	3.13	3.13	7.88	10
4" IPS x 3" IPS	DR17	10010540	360 003 490	1.190	3.13	3.13	8.62	10
6" IPS x 4" IPS	DR17	10008769	360 000 035	2.756	4.38	3.75	9.50	5
8" IPS x 6" IPS	DR17	10010690	360 003 497	5.997	5.06	4.75	11.81	6
10" IPS x 8" IPS	DR17	10010907	360 019 962	12.610	6.62	6.25	14.86	1
12" IPS x 8" IPS	DR17	10013883	360 029 050	16.667				1
12" IPS x 10" IPS	DR17	10013670	360 029 049	17.924	6.63	6.25	15.00	1

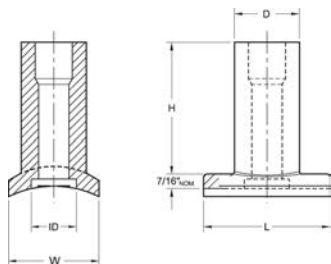
Service Saddle with Combo Outlet

Service Saddle with Combo Outlet PE2406/PE2708



SADDLE FITTINGS: Service Saddle with Combo Outlet PE2406/PE2708 3/4" IPS BUTT, 1/2" IPS Socket

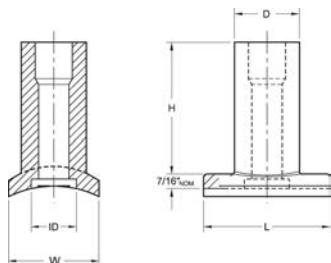
- Also available with 12" sleeves.
 - Approval: ASTM D2513
 - Approval: ASTM D3261
 - Approval: ASTM D2683
- Please call for more information on availability, pricing, other sizes and dimensions.



Base Size (inch)	GFCP Part No.	GF weight Part No.	GF weight (lb)	H (inch)	W (inch)	ID (inch)	D (inch)	L (inch)	Box Qty
1 1/2	6920263	360 002 258	0.110	2.83	2.00	1.06	1.05	2.44	100
2	6920265	360 003 552	0.110	2.83	2.00	1.06	1.05	2.44	100
3	6920267	360 003 553	0.110	2.83	2.00	1.06	1.05	2.44	100
4	6920269	360 002 320	0.110	2.83	2.00	1.06	1.05	2.44	100
6	6920271	360 002 337	0.110	2.83	2.00	1.06	1.05	2.44	100

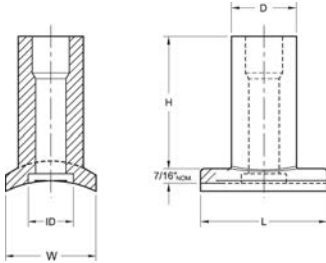
SADDLE FITTINGS: Service Saddle with Combo Outlet PE2406/PE2708 1" IPS BUTT, 3/4" IPS Socket

- Also available with 12" sleeves.
 - Approval: ASTM D2513
 - Approval: ASTM D3261
 - Approval: ASTM D2683
- Please call for more information on availability, pricing, other sizes and dimensions.



Base Size (inch)	GFCP Part No.	GF weight Part No.	GF weight (lb)	H (inch)	W (inch)	D (inch)	L (inch)	Box Qty
1 1/4	692127510000	360 003 554	0.132	2.83	2.00	1.31	2.44	100
1 1/2	6920144	360 002 266	0.132	2.83	2.00	1.31	2.44	100
2	692027510000	360 003 555	0.132	2.83	2.00	1.31	2.44	100
3	692037510000	360 003 527	0.132	2.83	2.00	1.31	2.44	100
4	692047510000	360 003 556	0.132	2.83	2.00	1.31	2.44	100
6	692067510000	360 003 557	0.110	2.83	2.00	1.31	2.44	100
8	692087510000	360 003 558	0.110	2.83	2.00	1.31	2.44	100

Service Saddle with Combo Outlet PE3408/PE4710

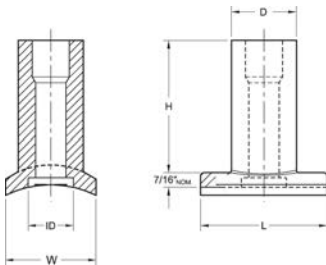


SADDLE FITTINGS: Service Saddle with Combo Outlet PE3408/PE4710 3/4" IPS BUTT, 1/2" IPS Socket

- Also available with 12" sleeves.
 - Approval: ASTM D2513
 - Approval: ASTM D3261
 - Approval: ASTM D2683
 - Approval: AWWA C906
 - Approval: NSF-61
- Please call for more information on availability, pricing, other sizes and dimensions.

Base Size (inch)	GFCP Part No.	GF Part No.	weight (lb)	H (inch)	W (inch)	ID (inch)	D (inch)	L (inch)	Box Qty
1 ¼	10004963	360 002 246	0.132	2.83	2.00	0.79	1.05	2.83	100
1 ½	10004970	360 002 257	0.110	2.83	2.00	0.79	1.05	2.83	100
2	10004979	360 002 276	0.110	2.83	2.00	0.79	1.05	2.83	100
3	10004990	360 002 298	0.088	2.83	2.00	0.79	1.05	2.44	100
4	10005001	360 002 319	0.088	2.83	2.00	0.79	1.05	2.44	100
6	10005010	360 002 336	0.110	2.83	2.00	0.79	1.05	2.44	100
8	10005018	360 002 351	0.088	2.83	2.00	0.79	1.05	2.44	100

SADDLE FITTINGS: Service Saddle with Combo Outlet PE3408/PE4710 1" IPS BUTT, 3/4" IPS Socket



- Also available with 12" sleeves.
 - Approval: ASTM D2513
 - Approval: ASTM D3261
 - Approval: ASTM D2683
 - Approval: AWWA C906
 - Approval: NSF-61
- Please call for more information on availability, pricing, other sizes and dimensions.

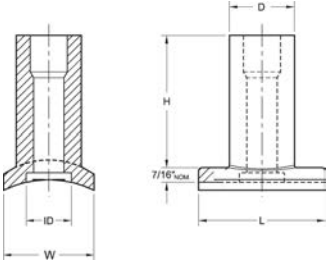
Base Size (inch)	GFCP Part No.	GF Part No.	weight (lb)	H (inch)	W (inch)	ID (inch)	D (inch)	L (inch)	Box Qty
1 ¼	10004967	360 002 252	0.154	2.83	2.00	0.94	1.31	2.44	100
1 ½	10004975	360 002 265	0.132	2.83	2.00	0.94	1.31	2.44	100
2	10004986	360 002 288	0.132	2.83	2.00	0.94	1.31	2.44	100
3	10004997	360 002 309	0.154	2.83	2.00	0.94	1.31	2.44	100
4	10005008	360 002 329	0.132	2.83	2.00	0.94	1.31	2.44	100
6	10005017	360 002 348	0.132	2.83	2.00	0.94	1.31	2.44	100
8	10005020	360 002 354	0.132	2.83	2.00	0.94	1.31	2.44	100

SADDLE FITTINGS: Service Saddle with Combo Outlet
PE3408/PE4710
1 1/4" IPS BUTT, 1" IPS Socket



- Also available with 12" sleeves.
- Approval: ASTM D2513
- Approval: ASTM D3261
- Approval: AWWA C906
- Approval: NSF-61

Please call for more information on availability, pricing, other sizes and dimensions.



Base Size (inch)	GFCP Part No.	GF weight Part No.	GF weight (lb)	H (inch)	W (inch)	ID (inch)	D (inch)	L (inch)	Box Qty
1 1/2	10004974	360 002 264	0.176	2.83	2.00		1.66	2.44	50
2	10004984	360 002 286	0.243	2.83	2.00		1.66	2.44	50
3	10004995	360 002 307	0.198	2.83	2.00		1.66	2.44	50
4	10005006	360 002 327	0.176	2.83	2.00		1.66	2.44	50
6	10005015	360 002 346	0.176	2.83	2.00		1.66	2.44	50

Service Saddle with Socket Outlet

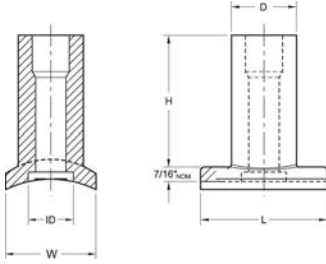
Service Saddle with Socket Outlet PE3408/PE4710



SADDLE FITTINGS: Service Saddle with Socket Outlet PE3408/PE4710 1" IPS

- Also available with 12" sleeves.
- Approval: ASTM D2513
- Approval: ASTM D2683
- Approval: AWWA C906
- Approval: NSF-61

Please call for more information on availability, pricing, other sizes and dimensions.



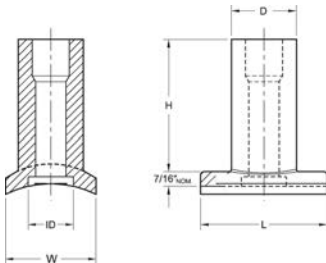
Base Size (inch)	GFCP Part No.	GF Part No.	weight (lb)	H (inch)	W (inch)	ID (inch)	D (inch)	L (inch)	Box Qty
1 ¼	10004964	360 002 247	0.198	2.83	2.00		1.68	2.44	50
1 ½	10004971	360 002 259	0.176	2.83	2.00		1.68	2.44	50
2	10004980	360 002 278	0.176	2.83	2.00		1.68	2.44	50
3	10004991	360 002 300	0.198	2.83	2.00		1.68	2.44	50
4	10005002	360 002 321	0.176	2.83	2.00		1.68	2.44	50
6	10005019	360 002 352	0.176	2.83	2.00		1.68	2.44	50



SADDLE FITTINGS: Service Saddle with Socket Outlet PE3408/PE4710 1 1/4" IPS

- Also available with 12" sleeves.
- Approval: ASTM D2513
- Approval: ASTM D2683
- Approval: AWWA C906
- Approval: NSF-61

Please call for more information on availability, pricing, other sizes and dimensions.



Base Size (inch)	GFCP Part No.	GF Part No.	weight (lb)	H (inch)	W (inch)	ID (inch)	D (inch)	L (inch)	Box Qty
2	10004983	360 002 284	0.331	2.16	2.37	1.37	2.45	2.94	50
3	10004994	360 002 304	0.331	2.16	2.37	1.37	2.45	2.94	50
4	10005005	360 002 325	0.331	2.16	2.37	1.37	2.45	2.94	50
6	10005014	360 002 343	0.309	2.16	2.37	1.37	2.45	2.94	50

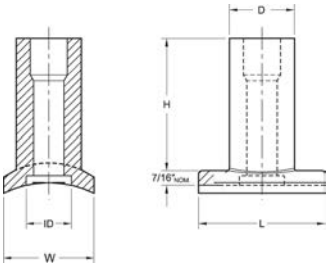
Service Saddle with Socket Outlet PE2406/PE2708



SADDLE FITTINGS: Service Saddle with Socket Outlet PE2406/PE2708 1/2" CTS

- Also available with 12" sleeves.
 - Approval: ASTM D2513
 - Approval: ASTM D2683
- Please call for more information on availability, pricing, other sizes and dimensions.

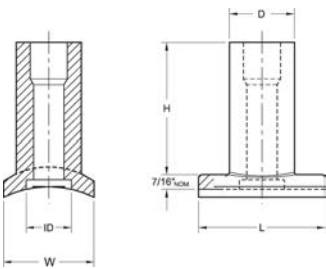
Base Size (inch)	GFCP Part No.	GF weight Part No.	GF weight (lb)	H (inch)	W (inch)	ID (inch)	D (inch)	L (inch)	Box Qty
1 1/4	6920146	360 002 239	0.198	2.83	2.00		1.38	2.44	100
2	6920147	360 002 268	0.198	2.83	2.00		1.38	2.44	100
4	6920200	360 002 311	0.176	2.83	2.00		1.38	2.44	100
6	6920201	360 002 330	0.176	2.83	2.00		1.38	2.44	100



SADDLE FITTINGS: Service Saddle with Socket Outlet PE2406/PE2708 1/2" IPS

- Also available with 12" sleeves.
 - Approval: ASTM D2513
 - Approval: ASTM D2683
- Please call for more information on availability, pricing, other sizes and dimensions.

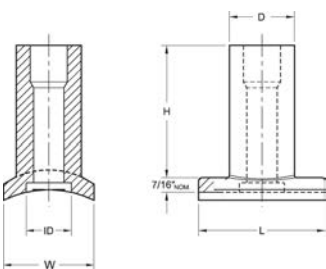
Base Size (inch)	GFCP Part No.	GF weight Part No.	GF weight (lb)	H (inch)	W (inch)	ID (inch)	D (inch)	L (inch)	Box Qty
2	6920129	360 002 271	0.110	2.83	2.00	0.78	1.38	2.44	100
3	6920130	360 002 292	0.198	2.83	2.00	0.78	1.38	2.44	100
6	6920133	360 002 332	0.110	2.83	2.00	0.78	1.38	2.44	100
8	6920134	360 002 349	0.154	2.83	2.00	0.78	1.38	2.44	100



SADDLE FITTINGS: Service Saddle with Socket Outlet PE2406/PE2708 1" CTS

- Also available with 12" sleeves.
 - Approval: ASTM D2513
 - Approval: ASTM D2683
- Please call for more information on availability, pricing, other sizes and dimensions.

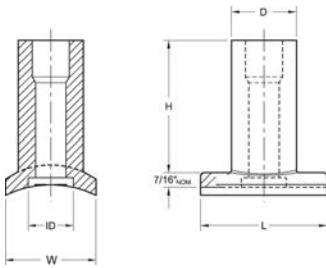
Base Size (inch)	GFCP Part No.	GF weight Part No.	GF weight (lb)	H (inch)	W (inch)	ID (inch)	D (inch)	L (inch)	Box Qty
2	6920174	360 002 277	0.154	2.83	2.00	0.78	1.38	2.44	100
3	6920175	360 002 299	0.154	2.83	2.00	0.78	1.38	2.44	100
6	6920177	360 002 338	0.176	2.83	2.00	0.78	1.38	2.44	100





SADDLE FITTINGS: Service Saddle with Socket Outlet
PE2406/PE2708
1" IPS

- Also available with 12" sleeves.
 - Approval: ASTM D2513
 - Approval: ASTM D2683
- Please call for more information on availability, pricing, other sizes and dimensions.

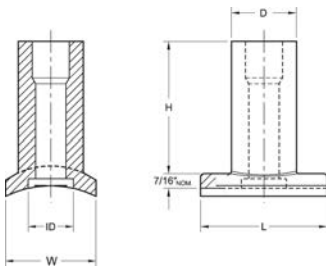


Base Size (inch)	GFCP Part No.	GF weight Part No.	GF weight (lb)	H (inch)	W (inch)	ID (inch)	D (inch)	L (inch)	Box Qty
1 ¼	6920143	360 002 249	0.243	2.83	2.00		1.66	2.44	50
1 ½	6920145	360 002 260	0.198	2.83	2.00		1.66	2.44	50
2	692020110000	360 003 546	0.176	2.83	2.00		1.66	2.44	50
3	692030110000	360 003 547	0.176	2.83	2.00		1.66	2.44	50
4	692040110000	360 003 548	0.154	2.83	2.00		1.66	2.44	50
6	692060110000	360 003 549	0.220	2.83	2.00		1.66	2.44	50

SADDLE FITTINGS: Service Saddle with Socket Outlet
PE2406/PE2708
1 1/4" IPS



- Also available with 12" sleeves.
 - Approval: ASTM D2513
 - Approval: ASTM D2683
- Please call for more information on availability, pricing, other sizes and dimensions.



Base Size (inch)	GFCP Part No.	GF weight Part No.	GF weight (lb)	H (inch)	W (inch)	ID (inch)	D (inch)	L (inch)	Box Qty
2	692021230000	360 003 551	0.331	2.16	2.37	1.37	2.45	2.94	100
3	6920148	360 002 305	0.287	2.16	2.37	1.37	2.45	2.94	50
4	6920149	360 002 326	0.287	2.16	2.37	1.37	2.45	2.94	50
6	6920171	360 002 344	0.265	2.16	2.37	1.37	2.45	2.94	50

Service Saddle with Butt Outlet



SADDLE FITTINGS: Service Saddle with Butt Outlet PE3408/PE4710 3/4" IPS, DR9.3

- Also available with 12" sleeves.
 - Approval: ASTM D2513
 - Approval: ASTM D3261
 - Approval: AWWA C906
 - Approval: NSF-61
- Please call for more information on availability, pricing, other sizes and dimensions.

Base Size (inch)	GFCP Part No.	GF weight Part No.	(lb)	H (inch)	W (inch)	ID (inch)	D (inch)	L (inch)	Box Qty
1 1/4	10004962	360 002 245	0.132	1.81	1.76	0.79	1.05		100
1 1/2	10004969	360 002 255	0.132	1.81	1.76	0.79	1.05		100
2	10004978	360 002 275	0.132	1.81	1.76	0.79	1.05		100
3	10004989	360 002 297	0.132	1.81	1.76	0.79	1.05		100
4	10005000	360 002 318	0.066	1.81	1.76	0.79	1.05		100



SADDLE FITTINGS: Service Saddle with Butt Outlet PE3408/PE4710 3/4" IPS, DR11

- Also available with 12" sleeves.
 - Approval: ASTM D2513
 - Approval: ASTM D3261
 - Approval: AWWA C906
 - Approval: NSF-61
- Please call for more information on availability, pricing, other sizes and dimensions.

Main Size (inch)	GFCP Part No.	GF weight Part No.	(lb)	H (inch)	W (inch)	ID (inch)	D (inch)	Box Qty	L (inch)
1 1/4	10004961	360 002 244	0.088	1.81	1.73	0.66	1.05	100	
1 1/2	10004968	360 002 253	0.044	1.81	1.73	0.66	1.05	100	
2	10004977	360 002 274	0.066	1.81	1.73	0.66	1.05	100	
3	10004988	360 002 296	0.044	1.81	1.73	0.66	1.05	100	
4	10004999	360 002 317	0.066	1.81	1.73	0.66	1.05	100	



SADDLE FITTINGS: Service Saddle with Butt Outlet PE3408/PE4710 1" IPS, DR9.3

- Also available with 12" sleeves.
 - Approval: ASTM D2513
 - Approval: ASTM D3261
 - Approval: AWWA C906
 - Approval: NSF-61
- Please call for more information on availability, pricing, other sizes and dimensions.

Base Size (inch)	GFCP Part No.	GF weight Part No.	(lb)	H (inch)	W (inch)	ID (inch)	D (inch)	L (inch)	Box Qty
1 1/2	10004973	360 002 262	0.176	1.81	1.73	0.88	1.31		100
1 3/4	10004966	360 002 251	0.176	1.81	1.73	0.88	1.31		100
2	10004982	360 002 282	0.176	1.81	1.73	0.88	1.31		100
3	10004993	360 002 302	0.176	1.81	1.73	0.88	1.31		100
4	10005004	360 002 324	0.176	1.81	1.73	0.88	1.31		100



SADDLE FITTINGS: Service Saddle with Butt Outlet
PE3408/PE4710
1" IPS, DR11

- Also available with 12" sleeves.
- Approval: ASTM D2513
- Approval: ASTM D3261
- Approval: AWWA C906
- Approval: NSF-61

Please call for more information on availability, pricing, other sizes and dimensions.

Base Size (inch)	GFCP Part No.	GF Part No.	weight (lb)	H (inch)	W (inch)	ID (inch)	D (inch)	Box Qty	L (inch)
1 ¼	10004965	360 002 250	0.066	1.81	1.73	0.88	1.31	100	
1 ½	10004972	360 001 398	0.750	1.81	1.73	0.88	1.31	100	
2	10004981	360 002 280	0.066	1.81	1.73	0.88	1.31	100	
3	10004992	360 002 301	0.066	1.81	1.73	0.88	1.31	100	
4	10005003	360 002 322	0.066	1.81	1.73	0.88	1.31	100	
6	10005012	360 002 341	0.066	1.81	1.73	0.88	1.31	100	



SADDLE FITTINGS: Service Saddle with Butt Outlet
PE3408/PE4710
1 1/2" IPS, DR9.3

- Also available with 12" sleeves.
- Approval: ASTM D2513
- Approval: ASTM D3261
- Approval: AWWA C906
- Approval: NSF-61

Please call for more information on availability, pricing, other sizes and dimensions.

Base Size (inch)	GFCP Part No.	GF Part No.	weight (lb)	H (inch)	W (inch)	ID (inch)	D (inch)	Box Qty	L (inch)
2	10004985	360 002 287	0.132	2.97	2.13	1.62	1.90	30	
3	10004996	360 002 308	0.132	2.97	2.13	1.62	1.90	30	
4	10005007	360 002 328	0.132	2.97	2.13	1.62	1.90	30	
6	10005016	360 002 347	0.132	2.97	2.13	1.62	1.90	30	



SADDLE FITTINGS: Service Saddle with Butt Outlet
PE3408/PE4710
1 1/4" IPS, DR11

- Also available with 12" sleeves.
- Approval: ASTM D2513
- Approval: ASTM D3261
- Approval: AWWA C906
- Approval: NSF-61

Please call for more information on availability, pricing, other sizes and dimensions.

Base Size (inch)	GFCP Part No.	GF Part No.	weight (lb)	H (inch)	W (inch)	ID (inch)	D (inch)	L (inch)	Box Qty
8	10004960	360 002 353	0.154	3.69	2.00	1.05	1.66	2.44	50
10	10004976	360 002 267	0.154	3.69	2.00	1.05	1.66	2.44	50

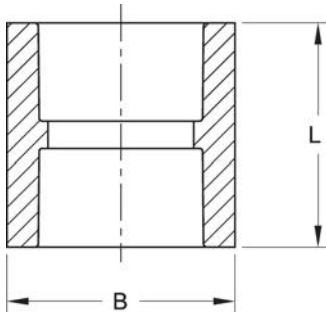
Couplings



SOCKET FITTINGS: Coupling PE2406/PE2708

- Approval: ASTM D2513
- Approval: ASTM D2683
- Approval: CSA B137.4
- *Approval: IAPMO

Please call for more information on availability, pricing, other sizes and dimensions.



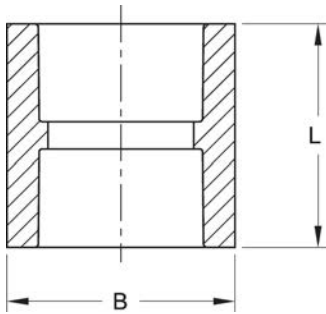
<...>	Main Size (inch)	Description	GFCP Part No.	GF Part No.	weight (lb)	B (inch)	L (inch)	Box Qty
	½	CTS	6900415	360 002 130	0.044	1.08	2.19	100
	½	IPS	6900507	360 002 132	0.044	1.20	2.19	100
	¾	IPS	6900418	360 002 134	0.198	1.46	2.19	100
*	1	CTS	690111120000	360 002 136	0.066	1.46	2.20	100
*	1	IPS	690010120000	360 002 138	0.110	1.82	2.19	100
*	1 ¼	IPS	690121220000	360 002 140	0.154	2.27	2.19	100
	1 ½	IPS	690151520000	360 002 142	0.176	2.55	2.18	100
*	2	IPS	690020220000	360 002 144	0.331	3.27	2.36	100
*	3	IPS	690030320000	360 002 146	1.124	5.07	2.81	10
*	4	IPS	690040420000	360 002 148	2.028	6.48	3.18	10



SOCKET FITTINGS: Coupling PE3408/PE4710

- Approval: ASTM D2513
- Approval: ASTM D2683
- Approval: AWWA C906

Please call for more information on availability, pricing, other sizes and dimensions.



	Main Size (inch)	Description	GFCP Part No.	GF Part No.	weight (lb)	B (inch)	L (inch)	Box Qty
	½	CTS	10005880	360 002 129	0.044	1.08	2.19	100
	½	IPS	10005378	360 002 131	0.044	1.20	2.19	100
	¾	IPS	10005379	360 002 133	0.066	1.46	2.19	100
	1	CTS	10005380	360 002 135	0.066	1.46	2.20	100
	1	IPS	10005381	360 002 137	0.110	1.82	2.19	100
	1 ¼	IPS	10005382	360 002 139	0.154	2.27	2.19	100
	1 ½	IPS	10005383	360 002 141	0.176	2.55	2.18	100
	2	IPS	10005384	360 002 143	0.331	3.27	2.36	100
	3	IPS	10005385	360 002 145	1.168	5.07	2.81	10
	4	IPS	10005386	360 002 147	2.050	6.48	3.18	10

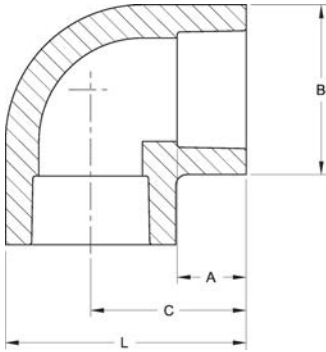
Elbows

SOCKET FITTINGS: 90° Elbow PE2406/PE2708



- Approval: ASTM D2513
- Approval: ASTM D2683
- Approval: IAPMO
- *Approval: CSA B137.4

Please call for more information on availability, pricing, other sizes and dimensions.



<...>	Main Size (inch)	Description	GFCP Part No.	GF Part No.	weight (lb)
	½	CTS	690626223000	360 002 092	0.066
*	½	IPS	690505023000	360 002 094	0.044
*	¾	IPS	690757523000	360 002 096	0.110
	1	CTS	690111123000	360 002 098	0.110
*	1	IPS	690010123000	360 002 100	0.154
*	1 ¼	IPS	690121223000	360 002 102	0.265
	1 ½	IPS	690151523000	360 002 104	0.397
*	2	IPS	690020223000	360 002 106	0.705
*	3	IPS	690030323000	360 002 108	3.351
*	4	IPS	690040423000	360 002 110	6.173

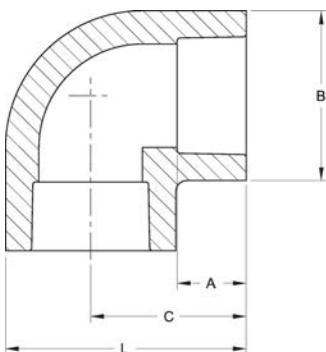
A (inch)	B (inch)	C (inch)	L (inch)	Box Qty
0.66	1.08	1.31	1.90	100
0.66	1.20	1.31	1.91	100
0.75	1.50	1.63	2.38	100
0.77	1.50	1.63	2.38	100
0.77	1.83	1.69	2.61	60
0.95	2.27	2.09	3.23	100
0.98	2.63	2.33	3.65	70
1.00	3.28	2.73	4.37	50
1.17	5.21	4.13	6.74	8
1.34	6.40	5.50	8.70	8

SOCKET FITTINGS: 90° Elbow PE3408/PE4710



- Approval: ASTM D2513
- Approval: ASTM D2683
- Approval: AWWA C906

Please call for more information on availability, pricing, other sizes and dimensions.



Main Size (inch)	Description	GFCP Part No.	GF Part No.	weight (lb)	A (inch)	B (inch)	C (inch)	L (inch)	Box Qty
½	CTS	10005356	360 002 091	0.088	0.66	1.08	1.31	1.90	100
½	IPS	10005357	360 002 093	0.066	0.66	1.20	1.31	1.91	100
¾	IPS	10005358	360 002 095	0.110	0.75	1.50	1.63	2.38	100
1	CTS	10005360	360 002 097	0.110	0.77	1.50	1.63	2.38	100
1	IPS	10005361	360 002 099	0.154	0.77	1.83	1.69	2.61	60
1 ¼	IPS	10005363	360 002 101	0.265	0.95	2.27	2.09	3.23	100
1 ½	IPS	10005365	360 002 103	0.419	0.98	2.63	2.33	3.65	70
2	IPS	10005366	360 002 105	0.728	1.00	3.28	2.73	4.37	50
3	IPS	10005367	360 002 107	3.285	1.17	5.21	4.13	6.74	8
4	IPS	10005368	360 002 109	5.930	1.34	6.40	5.50	8.70	8

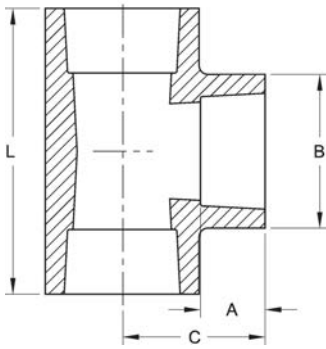
Tees



SOCKET FITTINGS: Tee PE2406/PE2708

- Approval: ASTM D2513
- Approval: ASTM D2683
- Approval: IAPMO
- *Approval: CSA B137.4

Please call for more information on availability, pricing, other sizes and dimensions.



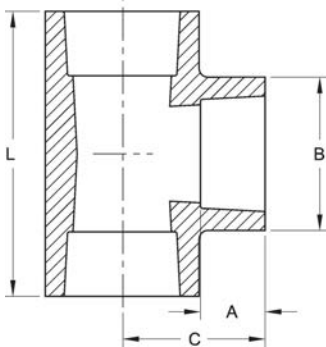
<...>	Main Size (inch)	Description	GFCP Part No.	GF Part No.	weight (lb)	A (inch)	B (inch)	C (inch)	L (inch)	Box Qty
*	½	CTS	690626224000	360 002 193	0.088	0.63	1.17	1.31	2.63	100
*	½	IPS	690505024000	360 002 196	0.066	0.64	1.19	1.31	2.66	100
*	¾	IPS	690757524000	360 002 199	0.132	0.73	1.49	1.63	3.25	100
	1	CTS	690111124000	360 002 201	0.132	0.91	1.50	1.63	3.26	100
*	1	IPS	690010124000	360 002 206	0.220	0.75	1.84	1.69	3.41	100
*	1 ¼	IPS	690121224000	360 002 208	0.375	0.98	2.30	2.10	4.22	100
	1 ½	IPS	690151524000	360 002 211	0.551	0.97	2.65	2.34	4.67	40
*	2	IPS	690020224000	360 002 213	0.992	0.97	3.26	2.78	5.40	30
*	3	IPS	690030324000	360 002 216	4.057	1.19	5.25	4.20	8.28	8
*	4	IPS	690040424000	360 002 235	8.576	1.33	6.52	5.64	11.14	4



SOCKET FITTINGS: Tee PE3408/PE4710

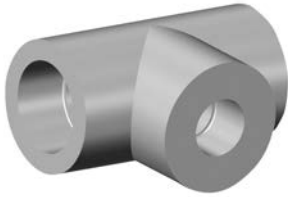
- Approval: ASTM D2513
- Approval: ASTM D2683
- Approval: AWWA C906

Please call for more information on availability, pricing, other sizes and dimensions.



Main Size (inch)	Description	GFCP Part No.	GF Part No.	weight (lb)	A (inch)	B (inch)	C (inch)	L (inch)	Box Qty
½	CTS	10005404	360 002 192	0.088	0.63	1.17	1.31	2.63	100
½	IPS	10005405	360 002 195	0.066	0.64	1.19	1.31	2.66	100
¾	IPS	10005407	360 002 198	0.154	0.73	1.49	1.63	3.25	100
1	CTS	10005408	360 002 200	0.132	0.91	1.50	1.63	3.26	100
1 ¼	IPS	10005411	360 002 207	0.375	0.98	2.30	2.10	4.22	100
1 ½	IPS	10005413	360 002 210	0.573	0.97	2.65	2.34	4.67	40
2	IPS	10005414	360 002 212	0.948	0.97	3.26	2.78	5.40	30
1	IPS	10005410	360 002 205	0.220	0.75	1.84	1.69	3.41	100
3	IPS	10005415	360 002 215	4.079	1.19	5.25	4.20	8.28	8

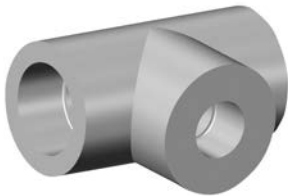
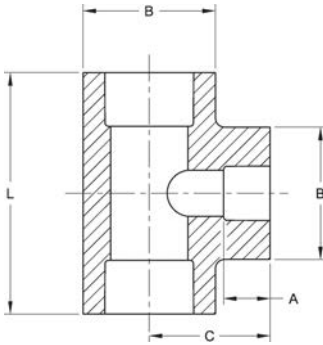
Reducing Tees



SOCKET FITTINGS: Reducing Tee PE2406/PE2708

- Approval: ASTM D2513
 - Approval: ASTM D2683
- Please call for more information on availability, pricing, other sizes and dimensions.

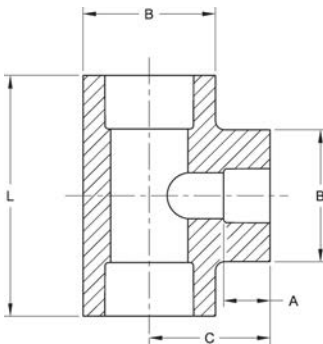
Main Size (inch)	GFCP Part No.	GF weight Part No.	(lb)	A (inch)	B (inch)	C (inch)	L (inch)	Box Qty
1 x 1 x 1/2	6900503	360 002 203	0.220	0.65	1.85	1.69	3.38	100
1 x 1 x 3/4	6900560	360 002 204	0.220	0.65	1.85	1.80	3.38	100



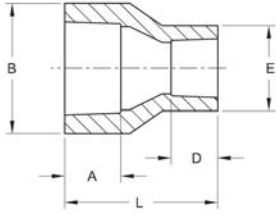
SOCKET FITTINGS: Reducing Tee PE3408/PE4710

- Approval: ASTM D2513
 - Approval: ASTM D2683
 - Approval: AWWA C906
- Please call for more information on availability, pricing, other sizes and dimensions.

Main Size (inch)	GFCP Part No.	GF weight Part No.	(lb)	A (inch)	B (inch)	C (inch)	L (inch)	Box Qty
3/4 x 3/4 x 1/2	10005406	360 002 197	0.265					100
1 x 1 x 1/2	10005409	360 002 202	0.265					100
1 1/4 x 3/4 x 3/4	10009820	360 003 767	0.287					80
1 1/4 x 1 x 1	10009821	360 003 768	0.331					80
1 1/4 x 1 1/4 x 3/4	10009818	360 003 129	0.353					80
1 1/4 x 1 1/4 x 1	10009819	360 003 130	0.375					80
1 1/2 x 3/4 x 3/4	10009823	360 003 769	0.353					60
1 1/2 x 1 1/2 x 3/4	10009822	360 003 770	0.419					50
1 1/2 x 1 1/2 x 1 1/4	10009828	360 003 772	0.772					30
2 x 1 1/4 x 1 1/4	10009825	360 003 131	0.750					30
2 x 2 x 3/4	10009826	360 003 132	0.772					30
2 x 2 x 1 1/4	10009827	360 003 133	0.816					30



Reducers



SOCKET FITTINGS: Reducer PE3408/PE4710

- Approval: ASTM D2513
- Approval: ASTM D2683
- Approval: AWWA C906

Please call for more information on availability, pricing, other sizes and dimensions.

Main Size (inch)	Description	GFCP Part No.	GF Part No.	weight (lb)
¾ x ½	IPS x CTS	10005388	360 002 152	0.044
1 x ½	CTS x CTS	10005389	360 002 156	0.066
½ x ½	IPS x CTS	10005387	360 002 149	0.000
1 x ¾	CTS x IPS	10005390	360 002 159	0.066
1 x ½	IPS x IPS	10005391	360 002 162	0.088
1 x ¾	IPS x IPS	10005392	360 002 164	0.088
1 ¼ x 1	CTS x CTS	10005393	360 002 170	0.110
1 ¼ x ¾	IPS x IPS	10005394	360 002 172	0.132
1 ¼ x 1	IPS x IPS	10005395	360 001 814	31.041
1 ½ x 1	IPS x IPS	10005396	360 002 175	0.154
1 ½ x 1 ¼	IPS x IPS	10005397	360 002 177	0.176
2 x 1	IPS x IPS	10005398	360 002 180	0.265
2 x 1 ¼	IPS x IPS	10005399	360 002 182	0.287
2 x 1 ½	IPS x IPS	10005400	360 002 185	0.287
3 x 2	IPS x IPS	10005401	360 002 186	1.014
4 x 2	IPS x IPS	10005402	360 002 188	1.874
4 x 3	IPS x IPS	10005403	360 002 190	2.227

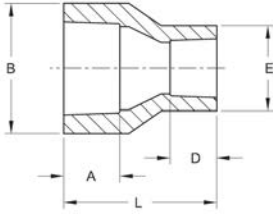
A (inch)	B (inch)	D (inch)	E (inch)	L (inch)	Box Qty
0.71	1.46	0.64	1.08	1.85	100
0.74	1.45	0.64	1.07	1.85	100
0.65	1.23	0.64	1.09	1.83	100
0.79	1.45	0.98	1.44	2.19	100
0.78	1.83	0.65	1.21	2.16	100
0.75	1.83	0.68	1.46	1.98	100
0.83	1.83	7.22	1.46	1.98	100
1.00	2.26	0.72	1.46	2.18	100
0.96	2.26	0.81	1.83	2.27	100
0.96	2.56	0.77	1.84	2.15	100
0.97	2.56	0.95	2.30	2.16	100
0.99	3.27	0.76	1.83	2.52	100
1.00	3.28	0.96	2.28	2.55	100
0.99	3.27	0.97	2.55	2.56	100
1.19	5.04	0.98	3.50	3.18	10
1.29	6.48	0.97	3.54	4.14	10
1.29	6.41	1.17	5.00	4.48	5



**SOCKET FITTINGS: Reducer
PE2406/PE2708**

- Approval: ASTM D2513
- Approval: ASTM D2683
- *Approval: IAPMO
- **Approval: IAPMO & CSA B137.4

Please call for more information on availability, pricing, other sizes and dimensions.



<...>	Main Size (inch)	Descrip- tion	GFCP Part No.	GF Part No.	weight (lb)
	1 ¼ x 1	CTS x CTS	6900579	360 002 167	0.000
**	1 ¼ x ¾	IPS x IPS	690127521000	360 003 545	0.110
**	1 ¼ x 1	IPS x CTS	6900019	360 002 171	0.110
**	1 ¼ x 1	IPS x IPS	690120121000	360 002 173	0.132
*	1 ½ x ¾	IPS x IPS	6900007	360 002 174	0.132
*	1 ½ x 1	IPS x IPS	6900021	360 002 176	0.154
*	1 ½ x 1 ¼	IPS x IPS	6900008	360 002 178	0.154
	2 x 1	IPS x CTS	6900554	360 002 179	0.419
*	2 x 1	IPS x IPS	6900020	360 002 181	0.265
**	2 x 1 ¼	IPS x IPS	690021221000	360 002 183	0.287
**	2 x 1 ½	IPS x IPS	690021521000	360 003 405	0.287
**	3 x 2	IPS x IPS	690030221000	360 002 187	1.036
**	4 x 2	IPS x IPS	690040221000	360 002 189	1.896
**	4 x 3	IPS x IPS	690040321000	360 002 191	2.381

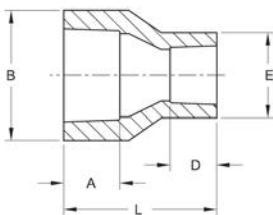
A (inch)	B (inch)	D (inch)	E (inch)	L (inch)	Box Qty
0.83	1.83	7.22	1.46	1.98	100
1.00	2.26	0.72	1.46	2.18	100
1.02	2.25	0.75	1.47	2.18	100
0.96	2.26	0.81	1.83	2.27	100
0.96	2.56	0.74	1.46	2.16	100
0.96	2.56	0.77	1.84	2.15	100
0.97	2.56	0.95	2.30	2.16	100
					100
0.99	3.27	0.76	1.83	2.52	100
1.00	3.28	0.96	2.28	2.55	100
0.99	3.27	0.97	2.55	2.56	100
1.19	5.04	0.98	3.50	3.18	10
1.29	6.48	0.97	3.54	4.14	10
1.29	6.48	1.17	5.00	3.18	5



**SOCKET FITTINGS: Reducer
PE2406/PE2708**

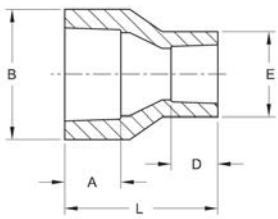
- Approval: ASTM D2513
- Approval: ASTM D2683
- *Approval: IAPMO
- **Approval: CSA B137.4

Please call for more information on availability, pricing, other sizes and dimensions.



<...>	Main Size (inch)	Descrip- tion	GFCP Part No.	GF Part No.	weight (lb)
*	½ x ½	IPS x CTS	6900003	360 002 150	0.441
	¾ x ½	CTS x CTS	6900556	360 002 151	0.044
**	¾ x ½	IPS x CTS	690756221000	360 002 153	0.044
*	¾ x ½	IPS x IPS	690755021000	360 002 155	0.044
*	1 x ½	CTS x CTS	6900002	360 002 157	0.044
*	1 x ¾	CTS x IPS	6900037	360 002 160	0.066
**	1 x ½	IPS x CTS	690016221000	360 002 161	0.088

table continued on the next page



<...>	Main Size (inch)	Description	GFCP Part No.	GF Part No.	weight (lb)
*	1 x ½	IPS x IPS	690015021000	360 002 163	0.088
**	1 x ¾	IPS x IPS	690017521000	360 002 165	0.088
**	1 x 1	IPS x CTS	690011121000	360 002 166	0.088
*	1 ¼ x ½	IPS x IPS	6900047	360 002 169	0.132

A	B	D	E	L	Box Qty
(inch)	(inch)	(inch)	(inch)	(inch)	
0.65	1.23	0.64	1.09	1.83	100
0.64	1.23	0.65	1.08	1.84	100
0.71	1.46	0.64	1.08	1.85	100
0.73	1.45	0.64	1.20	1.84	100
0.74	1.45	0.64	1.07	1.85	100
0.79	1.45	0.98	1.66	2.19	100
0.76	1.82	0.63	1.16	2.09	100
0.78	1.83	0.65	1.21	16.00	100
0.75	1.83	0.68	1.46	1.98	100
0.74	1.82	0.69	1.46	1.98	100
0.94	2.26	0.65	1.21	2.37	100

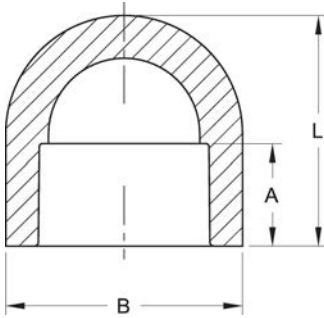
End Caps



SOCKET FITTINGS: End Cap PE2406/PE2708

- Approval: ASTM D2513
- Approval: ASTM D2683
- *Approval: IAPMO
- **Approval: IAPMO & CSA B137.4

Please call for more information on availability, pricing, other sizes and dimensions.



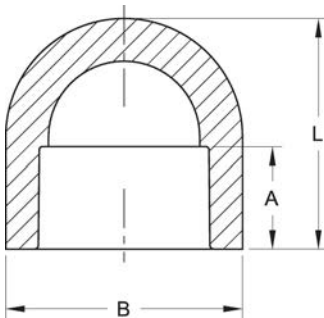
<...>	Main Size (inch)	Descrip- tion	GFCP Part No.	GF Part No.	weight (lb)	A (inch)	B (inch)	L (inch)	Box Qty
**	½	CTS	690622200000	360 002 112	0.044	0.67	1.09	1.32	100
**	½	IPS	690502200000	360 002 114	0.022	0.66	1.23	1.37	100
**	¾	IPS	690752200000	360 002 116	0.044	0.74	1.45	1.56	100
**	1	CTS	690112200000	360 002 117	0.044	0.98	1.46	1.82	100
**	1	IPS	690012200000	360 002 119	0.088	0.78	1.83	1.78	100
**	1 ¼	IPS	690122200000	360 002 121	0.154	0.98	2.28	2.23	100
*	1 ½	IPS	690152200000	360 002 123	0.176	0.98	2.55	2.00	100
**	2	IPS	690022200000	360 002 125	0.287	0.99	3.28	2.23	100
**	3	IPS	690032200000	360 002 127	1.102	1.19	5.05	3.05	10
**	4	IPS	690042200000	360 002 128	2.359	1.31	6.46	3.97	10



SOCKET FITTINGS: End Cap PE3408/PE4710

- Approval: ASTM D2513
- Approval: ASTM D2683
- Approval: AWWA C906

Please call for more information on availability, pricing, other sizes and dimensions.

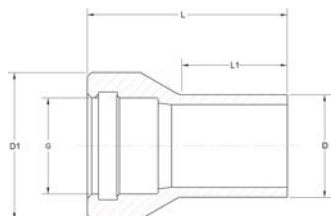


Main Size (inch)	Description	GFCP Part No.	GF Part No.	weight (lb)	A (inch)	B (inch)	L (inch)	Box Qty
½	CTS	10005369	360 002 111	0.022	0.67	1.09	1.32	100
½	IPS	10005370	360 002 113	0.022	0.66	1.23	1.37	100
¾	IPS	10005371	360 002 115	0.485	0.74	1.45	1.56	100
1	IPS	10005372	360 002 118	0.088	0.78	1.83	1.78	100
1 ¼	IPS	10005373	360 002 120	0.154	0.98	2.28	2.23	100
1 ½	IPS	10005374	360 002 122	0.176	0.98	2.55	2.00	100
2	IPS	10005375	360 002 124	0.309	0.99	3.28	2.23	100
3	IPS	10005376	360 002 126	1.124	1.19	5.05	3.05	10

Gasketed Adapters

GASKETED ADAPTERS: Gasketed PE Adapter

Please call for more information on availability, pricing, other sizes and dimensions.



Description	GFCP Part No.	GF Part No.	weight (lb)
4" PSM x 4" IPS (DR11)	6912002	360 023 167	3.638
6" PSM x 6" IPS (DR17)	6911612	360 023 168	8.752

L (inch)	L1 (inch)	D (inch)	D1 (inch)	G (inch)	Box Qty
9.00	4.75	4.50	6.62	4.25	5
13.00	6.00	6.62	8.62	6.33	5

POLYETHYLENE BALL VALVES: PE Ball Valve Full Port PE3408/PE4710 Outlet Wall: DR11



- Approval: ASTM D2513
- Approval: ASME B16.40

Please call for more information on availability, pricing, other sizes and dimensions.

Size (inch)	GFCP Part No.	GF Part No.	weight (lb)	D (inch)	E (inch)	G (inch)	h (inch)	H (inch)	L (inch)
1 ¼	10008170	360 002 038	2.998	1.66	1.33	2.75	4.75	7.13	12.60
2	10008171	360 002 042	4.630	2.38	1.83	3.15	5.70	8.50	14.00
3	10008172	360 002 043	7.452	3.50	2.50	3.15	7.90	11.50	14.00
4	10008173	360 002 044	21.495	4.50	3.55	4.50	11.15	16.00	20.35
6	10008174	360 002 045	37.479	6.63	4.75	3.60	12.50	18.50	20.00
8	10008175	360 022 292	0.000	8.63	7.16	5.90	16.00	26.00	27.50
10	10008176	360 002 040	108.027	10.75	9.05	5.35	15.55"/*23"	25.75"/*33"	27.00
12	10008177	360 002 041	115.081	12.75	9.05	5.35	15.55"/*23"	25.75"/*33"	27.00

Flange Adapters

Flange Adapters PE3408/PE4710 IPS

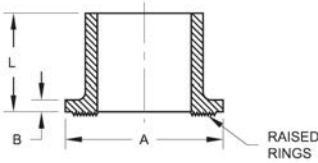


FLANGE ADAPTERS: Flange Adapter PE3408/PE4710 2" IPS

- Approval: ASTM D2513
- Approval: ASTM D3261
- Approval: AWWA C906
- Approval: NSF-61

Note: Beveled for Butterfly Valves available upon request. Standard 45° bevel unless otherwise specified by customer. Due to variations in valve dimensions, the installer should verify proper function of the valve at the time of installation.

Please call for more information on availability, pricing, other sizes and dimensions.



SDR	Description	GF		weight (lb)	A (inch)	B (inch)	L (inch)	Box Qty
		Part No.	Part No.					
11	Standard	10007486	360 000 054	0.463	3.94	0.39	6.00	10
11	Butterfly Valve	10004393	360 001 495	0.463	3.94	0.39	6.00	10
17	Standard	10011139	360 003 508	0.375	3.94	0.39	6.00	10
17	Butterfly Valve	10013265	360 021 859	0.353	3.94	0.39	6.00	10

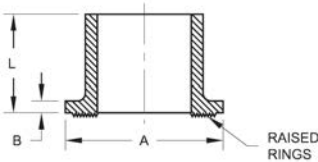


FLANGE ADAPTERS: Flange Adapter PE3408/PE4710 3" IPS

- Approval: ASTM D2513
- Approval: ASTM D3261
- Approval: AWWA C906
- Approval: NSF-61

Note: Beveled for Butterfly Valves available upon request. Standard 45° bevel unless otherwise specified by customer. Due to variations in valve dimensions, the installer should verify proper function of the valve at the time of installation.

Please call for more information on availability, pricing, other sizes and dimensions.



SDR	Description	GF		weight (lb)	A (inch)	B (inch)	L (inch)	Box Qty
		Part No.	Part No.					
11	Standard	10007487	360 000 055	0.926	5.00	0.63	6.00	10
11	Butterfly Valve	10011143	360 003 510	0.882	5.00	0.63	6.00	10
17	Standard	10011142	360 003 509	0.750	5.00	0.63	6.00	10
17	Butterfly Valve	10011144	360 003 511	0.816	5.00	0.63	6.00	10

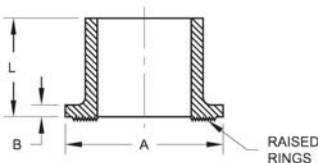


FLANGE ADAPTERS: Flange Adapter PE3408/PE4710 4" IPS

- Approval: ASTM D2513
- Approval: ASTM D3261
- Approval: AWWA C906
- Approval: NSF-61

Note: Beveled for Butterfly Valves available upon request. Standard 45° bevel unless otherwise specified by customer. Due to variations in valve dimensions, the installer should verify proper function of the valve at the time of installation.

Please call for more information on availability, pricing, other sizes and dimensions.



SDR	Description	GF		weight (lb)	A (inch)	B (inch)	L (inch)	Box Qty
		Part No.	Part No.					
17	Standard	6910823	360 001 556	1.543	6.00	0.54	6.00	8
17	Butterfly Valve	10010289	360 002 864	1.102	6.00	0.75	6.00	8
21	Standard	10004454	360 031 879	1.565	6.00	0.54	6.00	8

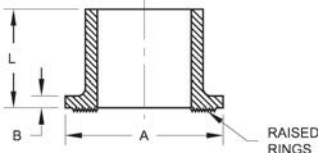


FLANGE ADAPTERS: Flange Adapter
PE3408/PE4710
6" IPS

- Approval: ASTM D2513
- Approval: ASTM D3261
- Approval: AWWA C906
- Approval: NSF-61

Note: Beveled for Butterfly Valves available upon request. Standard 45° bevel unless otherwise specified by customer. Due to variations in valve dimensions, the installer should verify proper function of the valve at the time of installation.

Please call for more information on availability, pricing, other sizes and dimensions.



SDR	Description	GFCP Part No.	GF Part No.	weight (lb)	A (inch)	B (inch)	L (inch)	Box Qty
6	Standard	FAPIPE00041	360 016 912	5.997	8.50	0.78	8.00	
7/7.3		10004473	360 001 579	5.908	8.50	0.78	8.00	2
9	Butterfly Valve	10014875		5.250	8.50	1.00	8.00	2
9/9.3		6912377		5.250	8.50	0.78	8.00	2
11	Butterfly Valve	10004465	360 001 571	4.497	8.50	1.00	8.00	2
11		6912105	360 000 057	4.431	8.50	0.78	8.00	2
17	Standard	6910835	360 000 017	4.167	8.50	0.78	7.75	2
17	Butterfly Valve	10004469	360 001 575	3.373	8.50	1.00	8.00	2
21	Standard	10004470	360 001 576	2.976	8.50	0.78	7.75	2
21	Butterfly Valve		360 031 880	3.395	8.50	0.78	8.00	
26	Standard	10004471	360 001 577	2.491	8.50	0.78	7.75	2

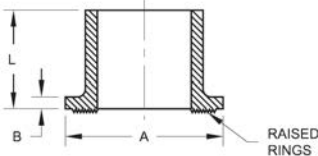


FLANGE ADAPTERS: Flange Adapter
PE3408/PE4710
8" IPS

- Approval: ASTM D2513
- Approval: ASTM D3261
- Approval: AWWA C906
- Approval: NSF-61

Note: Beveled for Butterfly Valves available upon request. Standard 45° bevel unless otherwise specified by customer. Due to variations in valve dimensions, the installer should verify proper function of the valve at the time of installation.

Please call for more information on availability, pricing, other sizes and dimensions.



SDR	Description	GFCP Part No.	GF Part No.	weight (lb)	A (inch)	B (inch)	L (inch)	Box Qty
7	Butterfly Valve	10004489	360 001 598	10.759	10.63	1.00	9.25	2
7/7.3		10004490	360 001 599	11.001	10.63	1.00	11.00	2
9	Standard	6912378	360 001 600	10.185	10.56	1.57	9.00	2
9	Standard	6912378	360 001 600	10.185	10.56	1.57	9.00	2
11	Standard	6912124	360 000 058	10.097	10.63	1.00	11.00	2
11	Butterfly Valve	10004481	360 001 589	7.540	10.63	1.00	9.25	2
17	Standard	6911501	360 001 594	10.097	10.63	1.00	9.25	2
17	Butterfly Valve	10004485	360 001 593	7.143	10.63	1.00	9.25	2
21	Standard	10004486	360 001 595	5.644	10.63	1.00	9.25	2
26	Standard	10004487	360 001 596	4.674	10.63	1.00	9.25	2

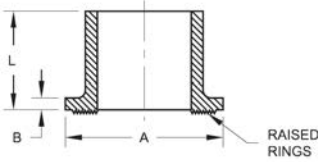


FLANGE ADAPTERS: Flange Adapter
PE3408/PE4710
10" IPS

- Approval: ASTM D2513
- Approval: ASTM D3261
- Approval: AWWA C906
- Approval: NSF-61

Note: Beveled for Butterfly Valves available upon request. Standard 45° bevel unless otherwise specified by customer. Due to variations in valve dimensions, the installer should verify proper function of the valve at the time of installation.

Please call for more information on availability, pricing, other sizes and dimensions.



SDR	Description	GFCP Part No.	GF weight Part No.	weight (lb)	A (inch)	B (inch)	L (inch)	Box Qty
7	Standard	10004335	360 001 430	16.601	12.75	1.90	9.00	2
9		10004336	360 001 432	14.705	12.75	1.28	12.00	2
11	Standard	10009507	360 003 451	11.684	12.75	1.28	9.10	2
11	Butterfly Valve	10012071	360 021 844	11.001	12.75	1.28	9.10	2
17	Standard	10012069	360 004 436	8.774	12.75	1.28	9.10	2
21	Standard	10012070	360 021 846	7.694	12.75	1.28	9.10	2
32	Standard	10004334	360 001 429	8.752	12.75	1.28	9.10	2

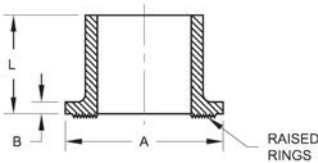


FLANGE ADAPTERS: Flange Adapter
PE3408/PE4710
12" IPS

- Approval: ASTM D2513
- Approval: ASTM D3261
- Approval: AWWA C906
- Approval: NSF-61
- *Approval: AWWA C906; NSF-61
- **Approval: FM 1613

Note: Beveled for Butterfly Valves available upon request. Standard 45° bevel unless otherwise specified by customer. Due to variations in valve dimensions, the installer should verify proper function of the valve at the time of installation.

Please call for more information on availability, pricing, other sizes and dimensions.



<...>	SDR	Description	GFCP Part No.	GF weight Part No.	weight (lb)	A (inch)	B (inch)	L (inch)	Box Qty
	7	Standard	10004350	360 001 448	29.057	15.00	2.20	11.00	2
*	7	Butterfly Valve		360 032 040	0.000	15.00	1.54	12.00	
**	9	Standard	10003129	360 001 450	25.000	15.00	1.90	11.00	2
	11	Butterfly Valve	10004345	360 001 439	21.208	15.00	1.54	12.00	2
	17	Standard	10006298	360 001 443	14.969	15.00	1.54	12.00	2

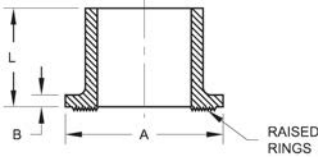


**FLANGE ADAPTERS: Flange Adapter
PE3408/PE4710
14" IPS**

- Approval: ASTM D2513/D3261
- Approval: AWWA C906
- *Approval: FM 1613; FM CL150; NSF-61
- **Approval: ASTM 3261; AWWA C906; NSF-61

Note: Beveled for Butterfly Valves available upon request. Standard 45° bevel unless otherwise specified by customer. Due to variations in valve dimensions, the installer should verify proper function of the valve at the time of installation.

Please call for more information on availability, pricing, other sizes and dimensions.



<...>	SDR	GFCP Part No.	GF Part No.	weight (lb)	A (inch)	B (inch)	L (inch)	Box Qty
**	7	FAI1400070	360 016 753	40.455	17.50	1.50	12.00	
**	9	FAI1400090	360 016 754	32.631	17.50	1.50	12.00	
*	11	10004353	360 001 452	27.999	17.50	1.50	12.00	1
	17	10004357	360 001 457	19.996	17.50	1.50	12.00	1
	21	10004358	360 001 458	19.687	17.50	1.50	12.00	1
	26	10004359	360 001 459	17.461	17.50	1.50	12.00	1

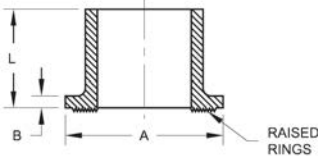


**FLANGE ADAPTERS: Flange Adapter
PE3408/PE4710
16" IPS**

- Approval: ASTM D2513/D3261
- Approval: AWWA C906
- **Approval: ASTM 3261; AWWA C906; NSF-61

Note: Beveled for Butterfly Valves available upon request. Standard 45° bevel unless otherwise specified by customer. Due to variations in valve dimensions, the installer should verify proper function of the valve at the time of installation.

Please call for more information on availability, pricing, other sizes and dimensions.



<...>	SDR	Description	GFCP Part No.	GF Part No.	weight (lb)	A (inch)	B (inch)	L (inch)	Box Qty
**	7	Standard	FAI1600070	360 016 762	58.092	20.00	1.75	12.00	
**	9	Standard	FAI1600090	360 016 763	46.782	20.00	1.75	12.00	
	11	Butterfly Valve	10005953	360 001 471	47.906	20.00	1.75	12.00	1
	17	Standard	10004373	360 001 474	28.770	20.00	1.75	12.00	1
	17	Butterfly Valve	10004375	360 001 475	29.388	20.00	1.75	12.00	1
	21	Standard	10004376	360 001 476	26.301	20.00	1.75	12.00	1
	26	Standard	10004377	360 001 477	22.994	20.00	1.75	12.00	1

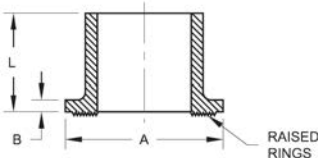


**FLANGE ADAPTERS: Flange Adapter
PE3408/PE4710
18" IPS**

- Approval: ASTM D2513/D3261
- Approval: AWWA C906
- **Approval: ASTM 3261; AWWA C906; NSF-61

Note: Beveled for Butterfly Valves available upon request. Standard 45° bevel unless otherwise specified by customer. Due to variations in valve dimensions, the installer should verify proper function of the valve at the time of installation.

Please call for more information on availability, pricing, other sizes and dimensions.



<...>	SDR	Description	GFCP Part No.	GF Part No.	weight (lb)	A (inch)	B (inch)	L (inch)	Box Qty
**	7	Standard	FAI1800070	360 016 772	69.049	21.38	1.88	12.00	
**	9	Standard	FAI1800090	360 016 773	55.281	21.38	1.88	12.00	
	11	Butterfly Valve	10012709	360 021 857	55.997	21.38	1.88	12.00	1
	17	Standard	10004385	360 001 486	34.921	21.38	1.88	12.00	1
	17	Butterfly Valve	10004495	360 001 487	34.502	21.38	1.88	12.00	1
	21	Standard	10004386	360 001 488	30.005	21.38	1.88	12.00	1
	26	Standard	10004387	360 001 489	26.500	21.38	1.88	12.00	1

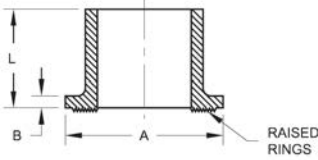


FLANGE ADAPTERS: Flange Adapter
PE3408/PE4710
20" IPS

- Approval: ASTM D3261
- Approval: AWWA C906
- Approval: NSF-61

Note: Beveled for Butterfly Valves available upon request. Standard 45° bevel unless otherwise specified by customer. Due to variations in valve dimensions, the installer should verify proper function of the valve at the time of installation.

Please call for more information on availability, pricing, other sizes and dimensions.



SDR	Description	GFCP Part No.	GF Part No.	weight (lb)	A (inch)	B (inch)	L (inch)
7	Standard	FAI2000070	360 016 780	96.717	23.47	2.27	12.00
9	Standard	FAI2000090	360 016 781	70.394	23.47	2.27	12.00
11	Standard	FAI2000110	360 016 782	58.641	23.47	2.27	12.00
17	Standard	FAI2000170	360 016 783	40.091	23.47	2.27	12.00

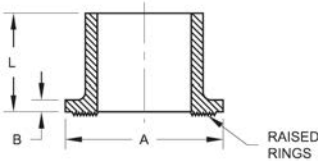


FLANGE ADAPTERS: Flange Adapter
PE3408/PE4710
22" IPS

- Approval: ASTM D3261
- Approval: AWWA C906
- Approval: NSF-61

Note: Beveled for Butterfly Valves available upon request. Standard 45° bevel unless otherwise specified by customer. Due to variations in valve dimensions, the installer should verify proper function of the valve at the time of installation.

Please call for more information on availability, pricing, other sizes and dimensions.



SDR	Description	GFCP Part No.	GF Part No.	weight (lb)	A (inch)	B (inch)	L (inch)
7	Standard	FAI2200070	360 016 790	112.370	25.59	2.50	12.00
9	Standard	FAI2200090	360 016 791	90.412			
11	Standard	FAI2200110	360 016 792	75.597	25.59	2.50	12.00
17	Standard	FAI2200170	360 016 793	54.939	25.59	2.50	12.00

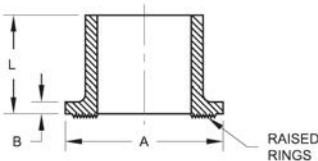


FLANGE ADAPTERS: Flange Adapter
PE3408/PE4710
24" IPS

- Approval: AWWA C906
- Approval: NSF-61
- *Approval: ASTM D3261

Note: Beveled for Butterfly Valves available upon request. Standard 45° bevel unless otherwise specified by customer. Due to variations in valve dimensions, the installer should verify proper function of the valve at the time of installation.

Please call for more information on availability, pricing, other sizes and dimensions.



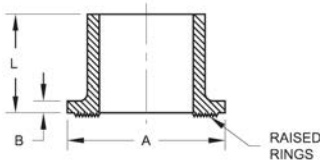
<...>	SDR	Description	GFCP Part No.	GF Part No.	weight (lb)	A (inch)	B (inch)	L (inch)
*	9	Standard	FAI2400090	360 016 799	122.432	25.39	2.50	12.00
	9	Butterfly Valve		360 032 189	0.000	25.39	2.50	12.00
*	11	Standard	FAI2400110	360 016 800	98.002	25.59	2.50	12.00
*	17	Standard	FAI2400170	360 016 802	68.002	25.59	2.50	12.00
	26	Standard	FAI2400260	360 016 804	47.690	25.39	2.50	12.00

Flange Adapters PE3408/PE4710 DIPS



FLANGE ADAPTERS: Flange Adapter PE3408/PE4710 4" DIPS

- Approval: AWWA C906
- Note: Beveled for Butterfly Valves available upon request. Standard 45° bevel unless otherwise specified by customer. Due to variations in valve dimensions, the installer should verify proper function of the valve at the time of installation.
Please call for more information on availability, pricing, other sizes and dimensions.

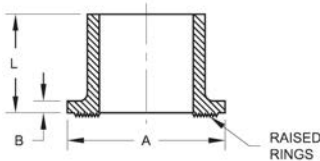


SDR	Description	GFCP Part No.	GF weight Part No.	(lb)	A (inch)	B (inch)	L (inch)	Box Qty
11	Standard	10004448	360 001 550	1.786	6.60	0.68	5.90	10



FLANGE ADAPTERS: Flange Adapter PE3408/PE4710 6" DIPS

- Approval: AWWA C906
 - **Approval: ASTM 3261; AWWA C906; NSF-61
- Note: Beveled for Butterfly Valves available upon request. Standard 45° bevel unless otherwise specified by customer. Due to variations in valve dimensions, the installer should verify proper function of the valve at the time of installation.
Please call for more information on availability, pricing, other sizes and dimensions.

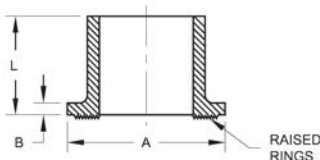


<...>	SDR	Description	GFCP Part No.	GF weight Part No.	(lb)	A (inch)	B (inch)	L (inch)	Box Qty
**	7	Standard	FAD0600070	360 028 876	0.022	8.60	1.08	8.00	
	9	Standard	10004463	360 001 569	5.754	8.60	1.08	8.00	2
	11	Standard	10004458	360 001 564	4.519	8.60	1.08	8.00	2
	17	Standard	10004462	360 001 568	3.792	8.60	1.08	8.00	2



FLANGE ADAPTERS: Flange Adapter PE3408/PE4710 8" DIPS

- Approval: AWWA C906
 - *Approval: NSF-61
- Note: Beveled for Butterfly Valves available upon request. Standard 45° bevel unless otherwise specified by customer. Due to variations in valve dimensions, the installer should verify proper function of the valve at the time of installation.
Please call for more information on availability, pricing, other sizes and dimensions.



<...>	SDR	Description	GFCP Part No.	GF weight Part No.	(lb)	A (inch)	B (inch)	L (inch)	Box Qty
*	7	Standard		360 032 025	0.000	10.72	1.38	9.00	2
	9	Standard	10006030	360 004 292	9.480	10.72	1.38	9.00	2
	11	Standard	10004476	360 001 584	9.017	10.72	1.38	9.00	2
	17	Standard	10004479	360 001 587	7.496	10.72	1.38	9.00	2

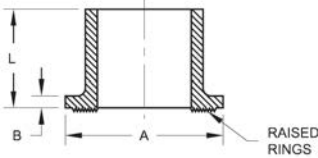


FLANGE ADAPTERS: Flange Adapter
PE3408/PE4710
10" DIPS

- Approval: AWWA C906
- Approval: NSF-61
- *Approval: ASTM D3261

Note: Beveled for Butterfly Valves available upon request. Standard 45° bevel unless otherwise specified by customer. Due to variations in valve dimensions, the installer should verify proper function of the valve at the time of installation.

Please call for more information on availability, pricing, other sizes and dimensions.



<...>	SDR	Description	GFCP Part No.	GF Part No.	weight (lb)	A (inch)	B (inch)	L (inch)	Box Qty
*	7		FAD1000070	360 028 476	19.731	13.17	1.88	9.00	
	9	Standard	10004325	360 001 420	14.991	13.17	1.88	9.00	1
	11	Standard	10004320	360 001 415	15.432	13.17	1.88	9.00	1
	17	Standard	10004324	360 001 419	10.825	13.17	1.88	9.00	1

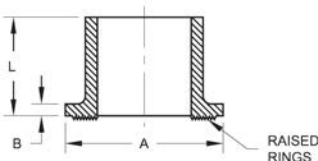


FLANGE ADAPTERS: Flange Adapter
PE3408/PE4710
12" DIPS

- Approval: AWWA C906
- Approval: NSF-61

Note: Beveled for Butterfly Valves available upon request. Standard 45° bevel unless otherwise specified by customer. Due to variations in valve dimensions, the installer should verify proper function of the valve at the time of installation.

Please call for more information on availability, pricing, other sizes and dimensions.



SDR	Description	GFCP Part No.	GF Part No.	weight (lb)	A (inch)	B (inch)	L (inch)	Box Qty
7	Standard		360 032 162		15.97	2.13	11.00	
9	Standard	10004342	360 001 437	28.991	15.97	2.13	11.00	2
11	Standard	10004338	360 001 433	23.876	15.97	2.13	11.00	2
17	Standard	10004341	360 001 436	17.791	15.97	2.13	11.00	2

Flange Adapters Bolt Rings
IPS Ductile

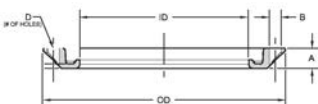


FLANGE ADAPTERS: Bolt Ring
IPS Ductile Iron, 150#

- Approval: GR 65/45/12
- Approval: ASTM A536
- Approval: FM 1613

Standard: Convolute Type, Ductile Iron, 150 lb. Drilling; Finish: Red Oxide Primer.

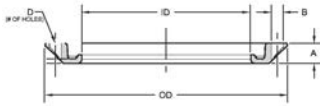
Please call for more information on availability, pricing, other sizes and dimensions.



Size (inch)	GFCP Part No.	GF Part No.	weight (lb)	OD (inch)	ID (inch)	A (inch)	B (inch)	Bolt Holes	Box Qty
12	BRID120160	360 014 846	24.690	19.00	13.00	1.50	1.00	12	1
14	BRID140160	360 014 851	28.440	20.80	14.16	1.63	1.13	12	1
16	BRID160160	360 014 856	38.801	23.02	16.19	1.88	1.13	16	1
18	BRID180160	360 014 861	41.672	24.98	18.20	1.75	1.14	16	1
20	BRID200160	360 014 869	56.441	27.50	20.38	2.23	1.14	20	1
24	BRID240160	360 014 878	79.812	32.00	24.38	2.56	1.38	20	1
26	BRID260200	360 014 883	108.022						1
28	BRID280200	360 014 886	129.632						1
30	BRID300100	360 014 889	117.286						
30	BRID300160	360 014 890	138.232	38.75	30.38	2.47	1.38	28	1
32	BRID320160	360 014 893	164.463	41.75	32.38	2.56	1.58	28	1
34	BRID340160	360 014 895	190.704						1
36	BRID360160	360 014 898	213.844	46.00	36.38	3.00	1.58	32	1



table continued on the next page



Size (inch)	GFCP Part No.	GF Part No.	weight (lb)	OD (inch)	ID (inch)	A (inch)	B (inch)	Bolt Holes	Box Qty
36	BRID360100	360 014 897	192.904						
42	BRID420100	360 014 901	264.974						
48	BRID480080	360 014 902	353.181						
54	BRID540080	360 014 903	518.086						



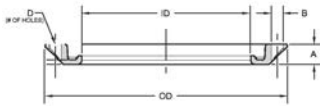
**FLANGE ADAPTERS: Bolt Ring
IPS Ductile**

Size (inch)	GFCP Part No.	GF Part No.	Box Qty	OD (inch)	ID (inch)	A (inch)	B (inch)	Bolt Holes	Approvals
	BRID480080								



**FLANGE ADAPTERS: Bolt Ring
IPS Ductile, Class 267**

- Approval: ASTM A536
 - Approval: GR 65/45/12
 - Approval: FM 1613
- Standard: Convoluted Type, Ductile Iron, 150 lb. Drilling; Finish: Red Oxide Primer.
Please call for more information on availability, pricing, other sizes and dimensions.



Size (inch)	GFCP Part No.	GF Part No.	weight (lb)	OD (inch)	ID (inch)	A (inch)	B (inch)	Bolt Holes	Box Qty
2	BRID020275	360 014 825	2.650	6.00	2.50	0.75	0.75	4	1
3	BRID030275	360 014 829	4.191	7.28	3.75	0.94	0.75	4	1
4	BRID040275	360 014 833	5.291	8.78	4.75	0.94	0.75	8	1
6	BRID060275	360 014 837	7.275	10.98	6.88	1.00	0.88	8	1
8	BRID080275	360 014 840	11.905	13.21	8.88	1.12	0.88	8	1
10	BRID100275	360 014 843	15.320	15.95	11.00	1.19	1.00	12	1
12	BRID120275	360 014 847	25.020	18.71	12.92	1.50	1.00	12	1
14	BRID140275	360 014 852	34.280	21.00	14.38	1.63	1.18	12	1
16	BRID160275	360 014 857	47.181	23.50	16.19	1.84	1.18	16	1
18	BRID180275	360 014 862	52.031	25.00	18.38	2.00	1.14	16	1
20	BRID200275	360 014 870	69.441	27.50	20.38	2.23	1.14	20	1
22	BRID220275	360 014 874	79.812	29.50	22.38	2.41	1.38	20	1
24	BRID240275	360 014 879	102.513	32.00	24.38	2.56	1.38	20	1

MJ Adapters

MJ Adapter PE3408/PE4710 DIPS



MJ ADAPTERS: MJ Adapter PE3408/PE4710 DIPS, DR9

- Approval: ASTM D3261
- Approval: AWWA C906
- Approval: NSF-61

Note: Beveled for Butterfly Valves available upon request. Standard 45° bevel unless otherwise specified by customer. Due to variations in valve dimensions, the installer should verify proper function of the valve at the time of installation.

Please call for more information on availability, pricing, other sizes and dimensions.

Size (inch)	GFCP Part No.	GF Part No.	weight (lb)	GFCP with Stiffener Part No.	GF with Stiffener Part No.	weight (lb)
4	10013759		3.470	10001465	360 029 092	3.461
6	10013760	360 029 097	7.165	10001478	360 001 952	7.628
8	10013761	360 029 102	12.588	10001486		13.000
10	10013762	360 029 083	21.186	10001501		21.520
12	10005230	360 001 804	29.454	10005231	360 001 805	29.454
16			0.000	MJD1600090		57.600
18			0.000	MJD1800090	360 017 671	76.051
20			0.000	MJD2000090	360 017 679	91.282

A (inch)	B (inch)	C (inch)	L (inch)	W (inch)	Box Qty
4.80	4.80	1.75	9.75	9 to 17	6
6.90	6.90	1.75	10.81	9 to 17	4
9.05	9.05	1.75	11.50	9 to 17	3
11.10	11.10	1.75	13.06	9 to 17	2
13.20	13.20	1.75	12.50	9 to 17	1



MJ ADAPTERS: MJ Adapter PE3408/PE4710 DIPS, DR11

- Approval: ASTM D3261
- Approval: AWWA C906
- Approval: NSF-61

Note: Beveled for Butterfly Valves available upon request. Standard 45° bevel unless otherwise specified by customer. Due to variations in valve dimensions, the installer should verify proper function of the valve at the time of installation.

Please call for more information on availability, pricing, other sizes and dimensions.

Size (inch)	GFCP Part No.	GF Part No.	weight (lb)	GFCP with Stiffener Part No.	GF with Stiffener Part No.	weight (lb)
3	10009620	360 003 461	1.720	10013742	360 029 090	2.800
4	10009622	360 003 463	2.998	10012327	360 022 237	3.395
6	10009624	360 003 465	6.019	10013003	360 022 240	6.834
8	10009626	360 003 466	10.803	10010944	360 003 504	11.751
10	10009628	360 022 230	17.549	10011177	360 029 081	19.709
12	10009746	360 003 482	22.796	10012088	360 022 233	24.626
14	MJD140011W	360 017 654	37.181	MJD1400110	360 017 653	37.181
16	MJD160011W	360 017 664	48.281	MJD1600110	360 017 663	51.240
18	MJD180011W	360 017 673	68.112	MJD1800110	360 017 672	68.002

table continued on the next page

Size (inch)	GFCP Part No.	GF Part No.	weight (lb)	GFCP with Stiffener Part No.	GF with Stiffener Part No.	weight (lb)
20	MJD200011W	360 017 682	85.592	MJD2000110	360 017 681	85.592
24	MJD240011W	360 017 690	128.003	MJD2400110	360 017 689	133.503
30			0.000	MJD3000110	360 017 698	222.914
36			0.000	MJD3600110	360 017 700	302.296

A (inch)	B (inch)	C (inch)	L (inch)	W (inch)	Box Qty
3.96	3.96	2.25	9.00	9 to 17	2
4.80	4.80	2.25	10.25	9 to 17	4
6.90	6.90	2.25	1.31	9 to 17	4
9.05	9.05	2.25	14.00	9 to 17	1
11.10	11.10	2.25	13.56	9 to 17	1
13.20	13.20	2.25	13.00	9 to 17	1



**MJ ADAPTERS: MJ Adapter
PE3408/PE4710
DIPS, DR17**

- Approval: ASTM D3261
- Approval: AWWA C906
- Approval: NSF-61

Note: Beveled for Butterfly Valves available upon request. Standard 45° bevel unless otherwise specified by customer. Due to variations in valve dimensions, the installer should verify proper function of the valve at the time of installation.

Please call for more information on availability, pricing, other sizes and dimensions.

Size (inch)	GFCP Part No.	GF Part No.	weight (lb)	GFCP with Stiffener Part No.	GF with Stiffener Part No.	weight (lb)
4	6970195	360 001 930	2.271	10001463		3.300
6	10013002	360 022 241	0.002	10013744		5.240
8	10010943		9.810	10013746	360 029 101	10.009
10	10011176	360 029 082	13.294	10001505	360 001 782	12.059
12	10009746		22.800	10013748	360 029 088	22.994
14			0.000	MJD1400170	360 017 655	36.171
16		360 031 927	0.000	MJD1600170	360 017 665	48.550
18			0.000	MJD1800170	360 017 674	66.370
24		360 031 928	0.000			0.000

A (inch)	B (inch)	C (inch)	L (inch)	W (inch)	Box Qty
4.80	4.80	2.34	10.25	9 to 17	4
6.90	6.90	2.25	11.31	9 to 17	4
9.05	9.05	2.25	12.00	9 to 17	1
11.10	11.10	2.25	13.56	9 to 17	1
13.20	13.20	2.25	13.00	9 to 17	1

MJ Adapter PE3408/PE4710 IPS

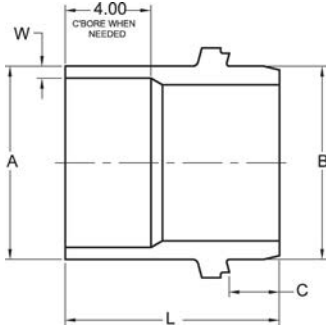


MJ ADAPTERS: MJ Adapter PE3408/PE4710 IPS, DR9

- Approval: ASTM D3261
- Approval: AWWA C906
- Approval: NSF-61

Note: Beveled for Butterfly Valves available upon request. Standard 45° bevel unless otherwise specified by customer. Due to variations in valve dimensions, the installer should verify proper function of the valve at the time of installation.

Please call for more information on availability, pricing, other sizes and dimensions.



Size (inch)	GFCP Part No.	GF Part No.	GF weight (lb)	GFCP with Stiffener Part No.	GF with Stiffener Part No.	GF with weight (lb)
2			0.000	MJI0200090	360 017 702	0.772
3	10013754	360 029 091	1.918	10001446		1.920
4	10013755	360 029 094	3.417	10001455		3.420
6	10013756		7.220	10001471		7.640
8	10013757		12.160	10001484		12.500
10	10013758		22.810	10001495	360 029 095	0.022
12	10005240		31.050	10001506		31.050
14			0.000	MJI1400090	360 017 781	39.621
16			0.000	MJI1600090	360 017 789	54.240
18			0.000	MJI1800090	360 017 797	74.662
20			0.000	MJI2000090	360 017 805	103.181
24			0.000	MJI2400090	360 017 812	144.692

A (inch)	B (inch)	C (inch)	L (inch)	Box Qty
3.50	3.96	1.75	8.50	6
4.50	4.80	1.75	9.75	6
6.62	6.90	1.75	10.81	4
8.62	9.05	1.75	11.50	3
10.75	11.10	1.75	13.06	1
12.75	13.20	1.75	12.50	1

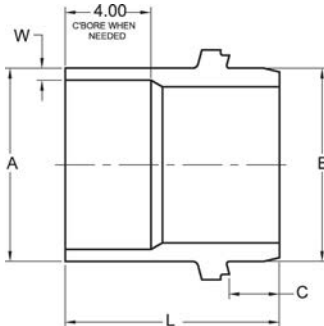


**MJ ADAPTERS: MJ Adapter
PE3408/PE4710
IPS, DR11**

- Approval: ASTM D3261
- Approval: AWWA C901
- Approval: NSF-61

Note: Beveled for Butterfly Valves available upon request. Standard 45° bevel unless otherwise specified by customer. Due to variations in valve dimensions, the installer should verify proper function of the valve at the time of installation.

Please call for more information on availability, pricing, other sizes and dimensions.



Size (inch)	GFCP Part No.	GF Part No.	weight (lb)	GFCP with Stiffener Part No.	GF with Stiffener Part No.	weight (lb)
2	MJI020011W	360 017 705	0.705	MJI0200110	360 017 704	0.710
3	10009621	360 003 462	1.587	10012038	360 022 236	2.116
4			2.810	10012062	360 022 238	3.395
6			5.720	10011384	360 022 243	6.570
8			10.040	10010964	360 003 506	11.199
10			16.430	10012948	360 022 231	17.924
12			21.440	10012242	360 022 235	22.994
14	MJI140011W	360 017 783	35.490	MJI1400110	360 017 782	33.861
16			48.280	MJI1600110	360 017 790	48.281
18	MJI180011W	360 017 799	66.322	MJI1800110	360 017 798	66.322
20	MJI2400110	360 017 813	127.712	MJI2000110	360 017 806	82.001

A (inch)	B (inch)	C (inch)	L (inch)	W (inch)	Box Qty
3.50	3.90	2.25	9.00	9 to 17	2
4.50	4.80	2.25	10.25	9 to 17	4
6.62	6.90	2.25	11.31	9 to 17	4
8.62	9.05	2.25	12.00	9 to 17	1
10.75	11.10	2.25	13.56	9 to 17	1
12.75	13.20	2.25	13.00	9 to 17	1

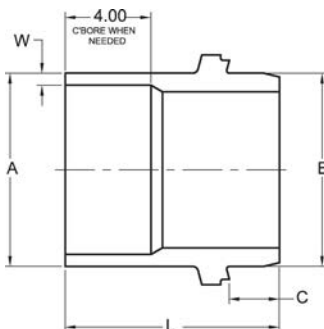


**MJ ADAPTERS: MJ Adapter
PE3408/PE4710
IPS, DR17**

- Approval: ASTM D3261
- Approval: AWWA C906
- Approval: NSF-61

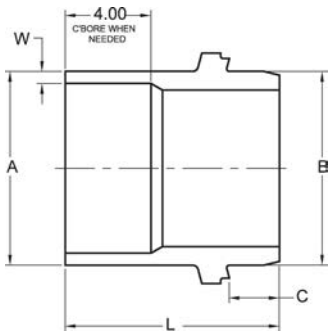
Note: Beveled for Butterfly Valves available upon request. Standard 45° bevel unless otherwise specified by customer. Due to variations in valve dimensions, the installer should verify proper function of the valve at the time of installation.

Please call for more information on availability, pricing, other sizes and dimensions.



Size (inch)	GFCP Part No.	weight (lb)	GF Part No.	weight (lb)	GFCP with Stiffener Part No.	GF with Stiffener Part No.	weight (lb)
3	10012037	1.870		1.600	10001449		1.870
4	10012061	2.910	360 022 239	2.557	10013739	360 029 093	2.910
6	10011383	5.660		5.310	10001469		5.660
8		10.000		9.340	10013740	360 029 104	10.009
10	10012947	15.800		15.360	10001499		15.800
12	10012241	21.200	360 004 433	19.996	10005239	360 001 813	21.208

table continued on the next page



Size (inch)	GFCP Part No.	weight (lb)	GF Part No.	weight (lb)	GFCP with Stiffener Part No.	GF with Stiffener Part No.	weight (lb)
14	MJI140017W	34.660	360 029 035	34.661	MJI1400170	360 017 784	34.661
18	MJPIPE00032	64.830	360 028 644	0.022	MJI1800170	360 017 800	64.831
24		124.000		0.000	MJI2400170	360 017 816	124.001
36		0.000		0.000	MJI3600170	360 017 823	248.534

A (inch)	B (inch)	C (inch)	L (inch)	W (inch)	Box Qty
3.50	3.96	2.25	9.00	9 to 17	2
4.50	4.80	2.25	10.25	9 to 17	4
6.62	6.90	2.25	11.31	9 to 17	4
8.62	9.05	2.25	12.00	9 to 17	1
10.75	11.10	2.25	13.56	9 to 17	1
12.75	13.20	2.25	13.00	9 to 17	1
14.00	15.30	1.34	13.00	9 to 17	1
18.00	19.50	1.34	13.00	9 to 17	1
24.00	25.80	3.34	18.00	9 to 17	1
					1

MJ Adapter Accessory Kits



MJ ADAPTERS: MJ Accessory Kit 3"-12" IPS/DIPS

- Approval: AWWA C111
 - Approval: ANSI A21.11
- 3" - 12" IPS/DIPS MJ Accessory Kit Includes: Ductile iron gland ring; Rubber gasket; T-bolts; Hex nuts
Please call for more information on availability, pricing, other sizes and dimensions.

Size (inch)	GFCP Part No.	GF Part No.	weight (lb)	# of Bolts	Description	Box Qty
3	6975069	360 000 664	5.952	4	5/8" x 5"	1
4	6975026	360 000 665	7.804	4	3/4" x 4 1/2"	1
6	6975027	360 001 775	12.181	6	3/4" x 5"	1
8	10011687	360 003 513	0.000	6	3/4" x 5"	1
10	6975029	360 000 657	18.980	8	3/4" x 6"	1
12	6975030	360 000 658	22.154	8	3/4" x 6"	1



MJ ADAPTERS: MJ Accessory Kit 14"-24" IPS/DIPS

- Approval: AWWA C111
 - Approval: ANSI A21.11
- 14" - 24" IPS/DIPS MJ Accessory Kit Includes: Rubber gasket; T-bolts; Heavy flat washers; Hex nuts. Does not include gland ring - black carbon steel ring must be ordered separately.
Please call for more information on availability, pricing, other sizes and dimensions.

Size (inch)	GFCP Part No.	GF Part No.	weight (lb)	# of Bolts	Description	Box Qty
14	6975031	360 000 659	14.136	10	3/4" x 7"	1
16	6975032	360 000 660	16.541	12	3/4" x 7"	1
18	6975033	360 000 661	16.685	12	3/4" x 7"	1
20	6975034	360 000 662	19.696	14	3/4" x 7"	1
24	6975035	360 000 663	22.436	16	3/4" x 7"	1



MJ ADAPTERS: Carbon Steel Gland Ring IPS/DIPS

Please call for more information on availability, pricing, other sizes and dimensions.

Size (inch)	GFCP Part No.	GF Part No.	weight (lb)	Box Qty
14	6975063	360 000 652	47.995	1
16	6975064	360 000 653	54.800	1
18	6975065	360 000 654	66.125	1
20	6975066	360 000 655	79.505	1
24	6975067	360 000 656	108.002	1

**MJ ADAPTERS: Ductile Iron Gland Ring
IPS/DIPS**



Please call for more information on availability, pricing, other sizes and dimensions.

Size (inch)	GFCP Part No.	GF Part No.	weight (lb)	Box Qty
14	10007470	360 000 072	0.000	1
16	10007471	360 000 073	0.000	1
18	10007472	360 000 074	0.000	1
20	10007473	360 000 075	0.000	1
24	10007474	360 000 076	0.000	1

Waterstops, Thrust Isolators and Wall Anchors

**THRUST RESTRAINTS: Waterstop
PE3408/PE4710, DIPS**

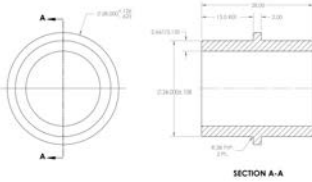
Please call for more information on availability, pricing, other sizes and dimensions.

Size (inch)	SDR	GFCP Part No.	GF Part No.	weight (lb)
6	9	WSD0600090	360 019 583	8.311
8	17	WSD0800170	360 019 590	10.692
8	21	WSD0800210	360 028 913	9.105
10	9	WSD1000090	360 019 594	33.224
10	17	WSD1000170	360 019 596	17.350
30	11	WSD3000110	360 019 618	327.717



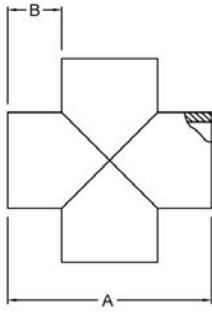
**THRUST RESTRAINTS: Waterstop
PE3408/PE4710, IPS**

- Approval: ASTM D3261
 - Approval: AWWA C906
 - Approval: NSF-61
- Please call for more information on availability, pricing, other sizes and dimensions.



Size (inch)	SDR	GFCP Part No.	GF Part No.	weight (lb)
2	11	WSI0200110	360 019 621	1.058
3	9	WSI0300090	360 019 624	2.513
3	11	WSI0300110	360 019 625	2.249
4	9	WSI0400090	360 019 628	4.277
4	11	WSI0400110	360 019 629	3.719
6	9	WSI0600090	360 019 635	7.981
6	11	WSI0600110	360 019 636	6.834
6	17	WSI0600170	360 019 637	5.225
8	9	WSI0800090	360 019 642	8.179
8	17	WSI0800170	360 019 644	8.289
10	9	WSI1000090	360 019 648	27.756
10	17	WSI1000170	360 019 650	16.843
12	9	WSI1200090	360 019 654	46.672
12	11	WSI1200110	360 019 655	39.353
14	11	WSI1400110	360 019 661	49.869
18	11	WSI1800110	360 019 672	86.201
18	17	WSI1800170	360 019 673	59.811
20	11	WSI2000110	360 019 677	105.646
24	11	WSI2400110	360 019 688	152.273
24	17	WSI2400170	360 019 689	105.734
28	9	WSI2800090	360 028 772	277.959

Line Crosses

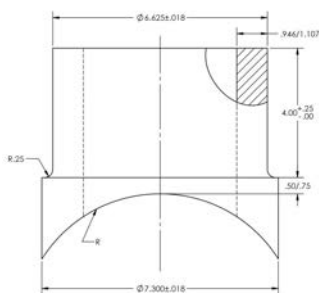
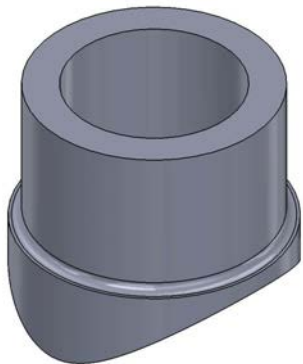


FABRICATED BUTT FITTINGS: Line Cross
PE3408/PE4710
IPS

- Approval: AWWA C901
 - Approval: NSF-61
- Please call for more information on availability, pricing, other sizes and dimensions.

Size (inch)	SDR	GFCP Part No.	GF Part No.	weight (lb)	A (inch)	B (inch)
2	11	LCI0200110	360 017 076	0.000	9.0	3.3
3	11	LCI0300110	360 017 077	2.866	10.3	3.4
4	9	LCI0400090	360 017 079	0.000	16.5	6.0
4	11	LCI0400110	360 017 080	5.688	16.5	6.0
6	7	LCI0600070	360 017 081	0.000	18.6	6.0
6	9	LCI0600090	360 017 082	0.000	18.6	6.0
6	11	LCI0600110	360 017 083	19.930	18.6	6.0
8	11	LCI0800110	360 017 087	26.985	24.6	8.0
10	11	LCI1000110	360 017 091	0.000	26.8	8.0
12	11	LCI1200110	360 017 095	78.793	28.8	8.0
12	17	LCI1200170	360 017 096	0.000	28.8	8.0

Tapping Tools

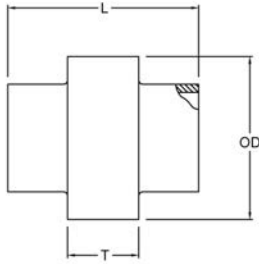


FABRICATED BRANCH SADDLES: Branch Saddle PE3408/PE4710

- Approval: ASTM D3261
 - Approval: AWWA C906
 - Approval: NSF-61
- Please call for more information on availability, pricing, other sizes and dimensions.

Size (inch)	SDR	GFCP Part No.	GF Part No.	weight (lb)
26" IPS x 2" IPS	9	BSI2602090	360 015 258	0.000
26" IPS x 6" IPS	17		360 031 847	0.022
30" IPS x 6" IPS	9	BSI3006090	360 028 803	0.022
30" IPS x 2" IPS	11	BSI3002110	360 015 260	0.000
30" DIPS x 2" IPS	11		360 061 179	0.250
30" IPS x 6" IPS	11	BSI3006110	360 015 261	0.000
30" IPS x 6" IPS	11		360 060 983	0.000
30" DIPS x 8" DIPS	11		360 061 183	0.000
30" IPS x 12" IPS	11	BSI3012110	360 028 795	0.022
30" DIPS x 12" DIPS	11		360 061 181	24.220
30" IPS x 18" IPS	11		360 060 997	0.000
30" DIPS x 4" IPS	17	BSDI300417	360 015 163	0.000
30" DIPS x 2" IPS	17	BSDI300217	360 015 162	0.000
34" IPS x 4" IPS	11	BSI3404110	360 028 081	0.000
36" IPS x 2" IPS	11	BSI3602110	360 015 262	0.000
36" IPS x 3" IPS	11	BSI3603110	360 015 263	0.000
36" IPS x 6" IPS	11	BSI3606110	360 015 264	0.000
36" IPS x 8" IPS	11	BSI3608110	360 015 265	0.000
36" IPS x 16" IPS	11	BSI1636110	360 028 133	0.000
36" IPS x 18" IPS	11		360 060 135	66.880
36" IPS x 16" IPS	17	BSI3616170	360 028 819	0.022
42" IPS x 2" IPS	11	BSI4202110	360 015 266	0.000
42" IPS x 4" IPS	11	BSI4204110	360 015 267	0.000
42" IPS x 12" IPS	17		360 060 431	0.000
48" IPS x 2" IPS	11	BSI4802110	360 015 268	0.000
48" IPS x 10" IPS	11	BSI4810110	360 015 269	0.000
48" IPS x 10" IPS	17		360 060 417	0.000
54" IPS x 10" IPS	17		360 060 418	0.000

Flange Adapters

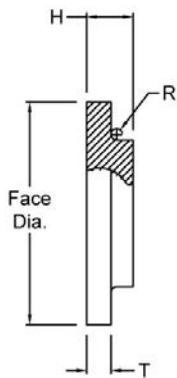


FABRICATED WATER STOPS: Water Stop PE3408/PE4710

Please call for more information on availability, pricing, other sizes and dimensions.

- Approval: NSF-61
- Approval: AWWA C906
- Approval: ASTM D3261

Size (inch)	IPS/DIPS	SDR	GFCP Part No.	GF Part No.	weight (lb)	L (inch)	OD (inch)	T (inch)
26	IPS	17	WSI2600170	360 019 693	0.000	28.0	30.0	2.0
28	IPS	9	WSI2800090	360 028 772	277.959	28.0	32.0	2.0
30	DIPS	9	WSD3000090	360 019 617	0.000			
30	DIPS	11	WSD3000110	360 019 618	327.717			
36	IPS	9		360 060 314	440.040	30.0	40.8	2.3
36	DIPS	11		360 031 931	455.570			
36	IPS	17	WSI3600170	360 019 696	284.837	30.0	40.8	2.3
36	DIPS	17	WSD3600170	360 019 619	0.000			
36	IPS	21	WSI3600210	360 019 697	0.000	30.0	40.8	2.3
36	IPS	26		360 061 015	180.720	30.0	40.8	2.3
42	IPS	17	WSI4200170	360 019 698	0.000	35.0	48.0	2.3
48	IPS	21	WSI4800210	360 019 699	0.000			

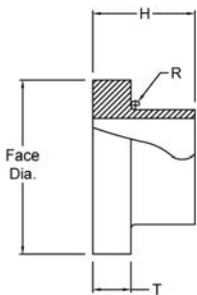


FABRICATED STUB ENDS: Stub End PE3408/PE4710 IPS

- Approval: ASTM D3261
- Approval: AWWA C906
- Approval: NSF-61

Please call for more information on availability, pricing, other sizes and dimensions.

Size (inch)	SDR	GFCP Part No.	GF Part No.	weight (lb)	H (inch)	T (inch)	Face Dia. (inch)	R (Radius) (inch)
26	7	SEI2600070	360 019 435	0.002				
26	11	SEI2600110	360 019 437	50.420	4.0	2.96	30.00	½
28	21	SEI2800210	360 019 445	32.761	4.8	3.18	32.30	½
30	26	SEI3000260	360 019 452	0.002	5.0	3.41	34.30	½
30	11	SEI3000110	360 019 448	68.784	5.0	3.41	34.30	½
30	17	SEI3000170	360 019 450	42.880	5.0	3.41	34.30	½
36	11	SEI3600110	360 019 470	116.250	5.4	4.09	40.80	½
36	17	SEI3600170	360 019 472	64.000	5.4	2.64	40.80	½



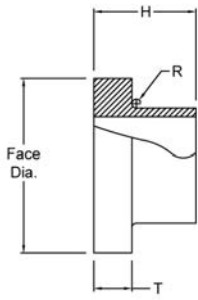
FABRICATED FLANGE ADAPTERS: Flange Adapter PE3408/PE4710 IPS

- Approval: ASTM D3261
- Approval: AWWA C906
- Approval: NSF-61

Please call for more information on availability, pricing, other sizes and dimensions.

Size (inch)	SDR	GFCP Part No.	GF Part No.	weight (lb)	H (inch)	T (inch)	Face Dia. (inch)	R (Radius) (inch)
26	9	FAI2600090	360 016 810	0.000	15.0	3.61	30.00	½
26	11	FAI2600110	360 016 811	134.526	15.0	2.96	30.00	½
26	17	FAI2600170	360 016 812	86.046	15.0	2.96	30.00	½
26	21	FAI2600210	360 016 813	0.000	15.0	2.96	30.00	½
26	26		360 061 016	49.530	15.0	2.96	30.00	½

table continued on the next page



Size (inch)	SDR	GF Part No.	GF Part No.	weight (lb)	H (inch)	T (inch)	Face Dia. (inch)	R (Radius) (inch)
28	11	FAI2800110	360 016 819	137.899	15.0	3.18	32.30	1/2
28	17	FAI2800170	360 016 822	91.999	15.0	3.18	32.30	1/2
28	26	FAI2800260	360 016 824	0.000	15.0	3.18	32.30	1/2
30	9	FAI3000090	360 016 828	206.000	15.8	4.17	34.30	1/2
30	11	FAI3000110	360 016 829	164.002	15.0	3.41	34.30	1/2
30	17	FAI3000170	360 016 831	103.992	15.0	3.41	34.30	1/2
30	26	FAI3000260	360 016 834	69.997	15.0	3.41	34.30	1/2
32	11	FAI3200110	360 016 839	187.547	15.0	3.64	36.50	1/2
32	17	FAI3200170	360 016 841	118.543	15.0	2.35	36.50	1/2
32	26	FAI3200260	360 016 843	0.000	15.0	2.35	36.50	1/2
32	32	FAI3200320	360 016 844	0.000	15.0	2.35	36.50	1/2
34	11	FAI3400110	360 016 846	211.534	15.9	4.72	38.50	1/2
34	17	FAI3400170	360 016 848	133.688	15.0	3.86	38.50	1/2
34	21	FAI3400210	360 016 849	0.000	15.0	3.86	38.50	1/2
36	11	FAI3600110	360 016 854	297.514	16.5	4.09	40.80	1/2
36	17	FAI3600170	360 016 856	152.009	14.0	2.64	40.80	1/2
36	21	FAI3600210	360 016 857	0.000	14.0	2.64	40.80	1/2
36	26	FAI3600260	360 016 858	128.485	14.0	2.64	40.80	1/2
42	11	FAI4200110	360 016 861	481.644				
42	17	FAI4200170	360 016 864	294.648	21.0	3.09	47.50	1/2
42	26	FAI4200260	360 016 866	203.288	21.0	2.50	47.50	1/2
48	17	FAI4800170	360 016 868	357.017	21.0	3.53	54.00	1/2
48	21	FAI4800210	360 016 869	0.000	21.0	2.86	54.00	3/4
48	26	FAI4800260	360 016 870	0.000	21.0	2.31	54.00	3/4
54	17	FAI5400170	360 016 872	521.922	22.4	4.00	60.00	1/2
54	21	FAI5400210	360 016 873	0.000	21.6	3.21	60.00	3/4
54	26	FAI5400260	360 016 874	336.007	21.0	2.60	60.00	3/4

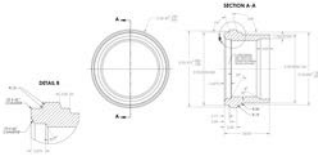
MJ Adapters



**FABRICATED MJ ADAPTERS: MJ Adapter
PE3408/PE4710
IPS/DIPS**

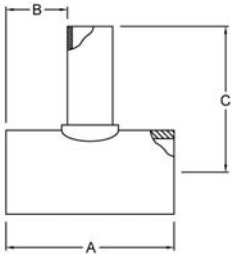
Please call for more information on availability, pricing, other sizes and dimensions.
Note: Beveled for Butterfly Valves available upon request. Standard 45° bevel unless otherwise specified by customer. Due to variations in valve dimensions, the installer should verify proper function of the valve at the time of installation.

- Approval: NSF-61
- Approval: AWWA C906
- Approval: ASTM D3261



Size (inch)	IPS/DIPS	SDR	GFCP Part No.	GF Part No.	weight (lb)
30	IPS	11	MJI3000110	360 017 820	218.934
30	IPS	17	MJI3000170	360 017 821	0.000
30	DIPS	9	MJD3000090	360 017 697	256.384
30	DIPS	11	MJD3000110	360 017 698	222.914
36	IPS	9		360 060 312	319.570
36	IPS	11	MJI3600110	360 017 822	316.006
36	IPS	17	MJI3600170	360 017 823	248.534
36	DIPS	11	MJD3600110	360 017 700	302.296
36	DIPS	26	MJD3600260	360 017 701	0.000
42	IPS	11		360 061 119	457.410
42	DIPS	11	MJD4200110	360 028 848	492.799
48	IPS	17		360 032 203	0.000

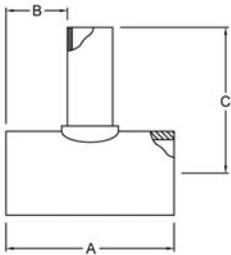
Tees



FABRICATED BUTT FITTINGS: Branch Saddle Reducing Tee PE3408/PE4710 IPS, DR9

- Approval: NSF-61
 - Approval: AWWA C906
- Please call for more information on availability, pricing, other sizes and dimensions.

Size (inch)	GFCP Part No.	GF Part No.	weight (lb)	A (inch)	B (inch)	C (inch)
3 x 2	RTI0302090	360 018 847	0.000			
4 x 2	RTI0402090	360 018 852	0.000	18.0	7.2	11.3
4 x 3	RTI0403090	360 018 858	0.000	18.0	6.7	12.3
6 x 2	RTI0602090	360 018 863	0.000	18.0	7.2	13.3
6 x 3	RTI0603090	360 018 870	0.000	18.0	6.7	13.3
6 x 4	RTI0604090	360 018 876	13.823	19.0	6.7	13.3
8 x 2	RTI0802090	360 018 882	0.000	18.0	7.2	13.8
8 x 4	RTI0804090	360 018 893	0.000	19.0	6.2	14.3
8 x 6	RTI0806090	360 018 899	26.808	21.0	6.2	14.3
12 x 4	RTI1204090	360 018 940	46.407	23.0	8.2	16.4
12 x 6	RTI1206090	360 018 946	53.991	24.0	7.7	16.4
12 x 8	RTI1208090	360 018 953	0.000	28.0	8.6	25.4
12 x 10	RTI1210090	360 018 959	0.000	30.0	8.6	26.4
16 x 10	RTI1610090	360 019 028	0.000	34.0	10.6	28.0
24 x 6	RTI2406090	360 019 187	0.000	33.0	12.2	21.6
24 x 10	RTI2410090	360 019 200	0.000	38.0	12.6	32.2
24 x 16	RTI2416090	360 019 215	0.000			
26 x 6		360 060 489	226.690			
26 x 8		360 060 324	237.160			
26 x 10		360 060 328	260.020			
26 x 16		360 060 327	348.440			
26 x 20		360 031 969	0.000			

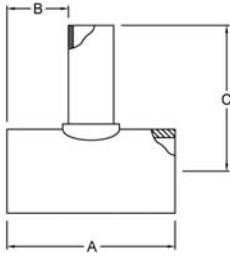


FABRICATED BUTT FITTINGS: Branch Saddle Reducing Tee PE3408/PE4710 IPS, DR11

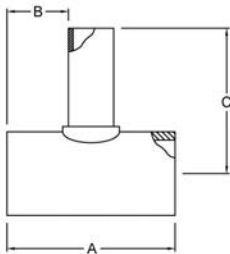
- Approval: AWWA C906
 - Approval: NSF-61
- Please call for more information on availability, pricing, other sizes and dimensions.

Size (inch)	GFCP Part No.	GF Part No.	weight (lb)	A (inch)	B (inch)	C (inch)
3 x 2	RTI0302110	360 018 848	2.734			
4 x 2	RTI0402110	360 018 853	5.512	18.0	7.2	11.3
6 x 2	RTI0602110	360 018 864	8.488	18.0	7.2	13.3
6 x 3	RTI0603110	360 018 871	91.404	18.0	6.7	13.3
6 x 4	RTI0604110	360 018 877	11.552	19.0	6.7	13.3
8 x 2	RTI0802110	360 018 883	0.000	18.0	7.2	13.8
8 x 3	RTI0803110	360 018 888	0.000	18.0	6.7	14.6
8 x 4	RTI0804110	360 018 894	17.990	19.0	6.2	14.3
8 x 6	RTI0806110	360 018 900	22.068	21.0	6.2	14.3
10 x 3	RTI1003110	360 018 909	0.000	18.0	6.7	15.9
10 x 4	RTI1004110	360 018 915	25.000	19.0	6.2	15.4
10 x 6	RTI1006110	360 018 920	30.600	21.0	6.2	15.4
12 x 2	RTI1202110	360 018 930	0.000	20.0	8.2	15.4
12 x 3	RTI1203110	360 018 935	0.000	21.0	8.2	16.4
12 x 4	RTI1204110	360 018 941	40.411	23.0	8.2	16.4
12 x 6	RTI1206110	360 018 947	46.209	24.0	7.7	16.4
12 x 8	RTI1208110	360 018 954	60.803	28.0	8.6	25.4
12 x 10	RTI1210110	360 018 960	74.009	30.0	8.6	26.4

table continued on the next page



Size (inch)	GFCP Part No.	GF Part No.	weight (lb)	A (inch)	B (inch)	C (inch)
14 x 6	RTI1406110	360 018 981	0.000	24.0	7.7	17.0
14 x 8	RTI1408110	360 018 986	0.000	28.0	8.6	26.8
16 x 3	RTI1603110	360 019 008	0.000	24.0	9.7	18.5
16 x 4	RTI1604110	360 019 013	0.000	27.0	10.2	18.2
16 x 8	RTI1608110	360 019 024	75.905	32.0	10.6	27.8
16 x 10	RTI1610110	360 019 029	0.000	34.0	10.6	28.0
16 x 12	RTI1612110	360 019 035	0.000	36.0	10.5	30.0
18 x 6	RTI1806110	360 019 058	0.000	29.0	10.2	18.6
18 x 10	RTI1810110	360 019 068	0.000	34.0	10.6	29.0
18 x 12	RTI1812110	360 019 073	0.000	36.0	10.5	31.0
20 x 4	RTI2004110	360 019 095	0.000	31.0	7.2	20.0
20 x 6	RTI2006110	360 019 101	0.000	33.0	12.2	19.6
24 x 2	RTI2402110	360 019 171	0.000	28.0	12.2	21.5
24 x 4	RTI2404110	360 019 182	0.000	31.0	7.2	22.0
24 x 6	RTI2406110	360 019 188	0.000	33.0	12.2	21.6
24 x 8	RTI2408110	360 019 194	0.000	36.0	12.6	31.6
24 x 10	RTI2410110	360 019 201	0.000	38.0	12.6	32.2
24 x 14	RTI2414110	360 019 214	0.000			
24 x 16	RTI2416110	360 019 216	0.000			
24 x 20	RTI2420110	360 019 221	0.000			
26 x 16	RTI2616110	360 019 224	0.000			
28 x 2	RTI2802110	360 019 225	0.000			
28 x 12	RTI2812110	360 028 774	0.022			
28 x 18	RTI2818110	360 028 775	0.022			
28 x 24	RTI2824110	360 019 226	0.000			
30 x 2	RTI3002110	360 019 227	0.000			
30 x 12	RTI3012110	360 019 231	0.000			
30 x 14		360 061 061	357.620			
30 x 16	RTI3016110	360 019 234	0.000			
32 x 10		360 061 086	0.000			
36 x 4		360 061 095	0.000			
36 x 6	RTI3606110	360 019 239	0.000			
36 x 8	RTI3608110	360 019 241	0.000			
36 x 12	RTI3612110	360 019 244	0.000			
36 x 20	RTI3620110	360 019 248	0.000			
36 x 24	RTI3624110	360 019 249	0.000			
42 x 20	RTI4220110	360 019 251	0.000			
42 x 24	RTI4224110	360 019 252	0.000			
42 x 28	RTI4228110	360 019 255	0.000			
42 x 8	RTI4208110	360 019 250	0.000			
42 x 30		360 032 035	0.000			

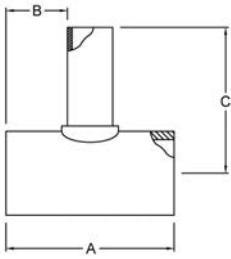


**FABRICATED BUTT FITTINGS: Branch Saddle Reducing Tee
PE3408/PE4710
IPS, DR17**

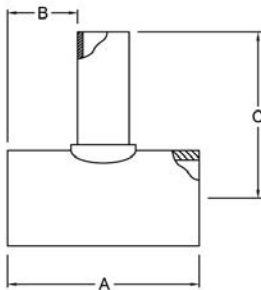
- Approval: AWWA C906
 - Approval: NSF-61
- Please call for more information on availability, pricing, other sizes and dimensions.

Size (inch)	GFCP Part No.	GF Part No.	weight (lb)	A (inch)	B (inch)	C (inch)
3 x 2		360 031 815	0.022			
4 x 2	RTI0402170	360 018 854	0.002			
4 x 3		360 031 816	0.022			
10 x 8	RTI1008170	360 018 926	31.791			
12 x 2		360 060 185	19.401			
12 x 3	RTI1203170	360 018 936	2.205			
12 x 4	RTI1204170	360 018 942	0.002			
12 x 6	RTI1206170	360 018 948	0.002			
12 x 8	RTI1208170	360 018 955	41.513			

table continued on the next page



Size (inch)	GFCP Part No.	GF Part No.	weight (lb)	A (inch)	B (inch)	C (inch)
12 x 10	RTI1210170	360 018 961	0.002			
14 x 6	RTI1406170	360 028 095	0.002			
14 x 8	RTI1408170	360 028 094	46.804			
14 x 10		360 018 992	0.002			
16 x 3		360 061 469	32.298			
16 x 6	RTI1606170	360 028 623	0.022			
16 x 8	RTI1608170	360 028 989	55.997			
18 x 6	RTI1806170	360 028 662	0.022			
30 x 6	RTI3006170	360 019 228	0.002			
30 x 20	RTI3020170	360 028 142	0.002			
30 x 24	RTI3024170	360 019 236	0.002			
36 x 6	RTI3606170	360 019 240	0.002			
36 x 8	RTI3608170	360 019 242	0.002			
36 x 12	RTI3612170	360 019 245	0.002			
36 x 16	RTI3616170	360 019 247	0.002			
36 x 18		360 032 105	0.000			
42 x 30	RTI4230170	360 019 257	0.002			
48 x 16		360 060 077	974.000			
48 x 18		360 031 987	0.000			
48 x 24		360 032 192	1064.000			
48 x 30		360 060 073	1059.050			
54 x 24		360 060 072	1444.000			
54 x 48		360 060 080	2886.000			
18 x 8	RTI1808170	360 028 666	0.022			
20 x 8	RTI2008170	360 028 698	0.022			
20 x 18	RTI2018170	360 028 141	0.002			
24 x 4	RTI2404170	360 019 183	0.002			

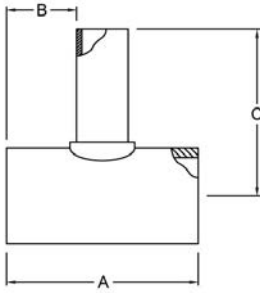


FABRICATED BUTT FITTINGS: Branch Saddle Reducing Tee
PE3408/PE4710
DIPS, DR11

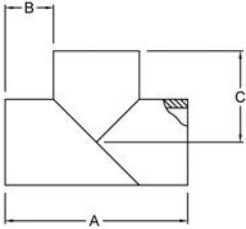
- Approval: AWWA C906
 - Approval: NSF-61
- Please call for more information on availability, pricing, other sizes and dimensions.

Size (inch)	GFCP Part No.	GF Part No.	weight (lb)	A (inch)	B (inch)	C (inch)
6 x 4	RTD0604110	360 018 679	0.000	19.0	6.2	13.3
8 x 4	RTD0804110	360 018 684	0.000	19.0	6.2	14.3
8 x 6	RTD0806110	360 018 689	24.537	21.0	6.2	14.3
10 x 4	RTD1004110	360 018 693	0.000	19.0	6.2	15.4
10 x 6	RTD1006110	360 018 697	0.000	21.0	6.2	15.4
10 x 8	RTD1008110	360 018 701	47.995	24.0	6.2	24.4
12 x 4	RTD1204110	360 018 706	0.000	23.0	8.2	16.6
12 x 6	RTD1206110	360 018 712	47.995	24.0	7.7	16.4
12 x 8	RTD1208110	360 018 718	64.000	28.0	8.2	25.4
12 x 10	RTD1210110	360 018 724	0.000	30.0	8.6	26.4
14 x 6	RTD1406110	360 018 732	0.000	24.0	7.7	17.0
14 x 8	RTD1408110	360 018 736	0.000	28.0	8.2	27.1
14 x 10	RTD1410110	360 018 740	0.000	30.0	8.1	27.0
14 x 12	RTD1412110	360 018 744	0.000	32.0	8.4	29.0
16 x 6	RTD1606110	360 018 753	78.000	29.0	10.2	18.0
16 x 8	RTD1608110	360 018 757	97.995	32.0	10.2	28.2
16 x 10	RTD1610110	360 018 762	0.000	34.0	10.1	28.0
18 x 10	RTD1810110	360 018 784	0.000	34.0	10.1	29.7
18 x 12	RTD1812110	360 018 788	0.000	36.0	10.4	31.7

table continued on the next page



Size (inch)	GFCP Part No.	GF Part No.	weight (lb)	A (inch)	B (inch)	C (inch)
20 x 6	RTD2006110	360 018 798	0.000	33.0	12.2	21.3
20 x 8	RTD2008110	360 018 802	0.000	36.0	12.2	30.3
20 x 12	RTD2012110	360 018 811	0.000	40.0	12.4	32.8
30 x 20		360 061 114	584.100			



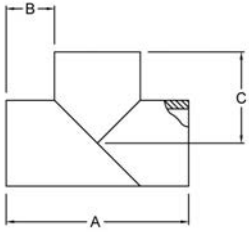
FABRICATED BUTT FITTINGS: Tee PE3408/PE4710 IPS

- Approval: AWWA C906
- Approval: NSF-61

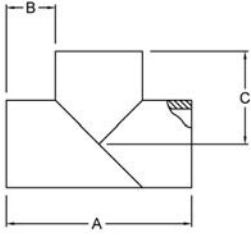
Please call for more information on availability, pricing, other sizes and dimensions.

Size (inch)	SDR	GFCP Part No.	GF Part No.	weight (lb)	A (inch)	B (inch)	C (inch)
4	9	LTI040009F	360 017 205	6.900	16.5	6.0	8.3
6	9	LTI060009F	360 017 216	16.998	18.6	6.0	9.3
6	11	LTI060011F	360 017 218	14.242	18.6	6.0	9.3
8	7	LTI080007F	360 017 226	46.010	24.6	8.0	12.3
8	9	LTI080009F	360 017 227	37.192	24.6	8.0	12.3
8	11	LTI080011F	360 017 229	31.173	24.6	8.0	12.3
8	17	LTI080017F	360 017 231	20.944	24.6	8.0	12.3
10	7	LTI100007F	360 017 236	61.994	26.8	8.0	13.4
10	9	LTI100009F	360 017 237	67.682	26.8	8.0	13.4
10	11	LTI100011F	360 017 239	44.004	26.8	8.0	13.4
10	17	LTI100017F	360 017 241	38.052	26.8	8.0	13.4
12	7	LTI120007F	360 017 245	126.457	28.8	8.0	14.4
12	9	LTI120009F	360 017 246	102.228	28.8	8.0	14.4
12	11	LTI120011F	360 017 247	60.010	28.8	8.0	14.4
12	17	LTI120017F	360 017 248	38.405	28.8	8.0	14.4
14	7	LTI140007F	360 017 252	167.287	32.0	9.0	16.0
14	9	LTI140009F	360 017 253	135.276	32.0	9.0	16.0
14	11	LTI140011F	360 017 254	113.384	32.0	9.0	16.0
14	17	LTI140017F	360 017 255	51.191	32.0	9.0	16.0
16	11	LTI160011F	360 017 261	0.000	34.0	9.0	17.0
16	17	LTI160017F	360 017 262	106.064	34.0	9.0	17.0
18	11	LTI180011F	360 017 268	233.734	38.0	10.0	19.0
18	17	LTI180017F	360 017 269	148.878	38.0	10.0	19.0
20	9	LTI200009F	360 017 274	343.965	40.0	10.0	20.0
20	11	LTI200011F	360 017 275	288.276	40.0	10.0	20.0
20	17	LTI200017F	360 017 276	193.566	40.0	10.0	20.0
22	11	LTI220011F	360 017 282	395.068	46.0	12.0	23.0
24	9	LTI240009F	360 017 287	587.664	48.0	12.0	24.0
24	11	LTI240011F	360 017 288	492.513	48.0	12.0	24.0
24	17	LTI240017F	360 017 289	217.993	48.0	12.0	24.0
26	9	LTI260009F	360 017 292	0.000	54.0	14.0	27.0
26	11	LTI260011F	360 017 293	660.329	54.0	14.0	27.0
28	9	LTI280009F	360 017 297	950.082	56.0	14.0	28.0
28	11	LTI280011F	360 017 298	796.222	56.0	14.0	28.0
28	17	LTI280017F	360 017 299	534.599	56.0	14.0	28.0
30	11	LTI300011F	360 017 302	641.016	58.0	14.0	29.0
30	17	LTI300017F	360 017 303	428.005	58.0	14.0	29.0
32	11	LTI320011F	360 017 306	1116.862	60.0	14.0	30.0
32	17	LTI320017F	360 017 307	749.924	60.0	14.0	30.0
36	9	LTI360009F	360 017 309	0.000	76.0	20.0	51.0
36	11	LTI360011F	360 017 310	1893.109	76.0	20.0	51.0

table continued on the next page



Size (inch)	SDR	GF Part No.	GF Part No.	weight (lb)	A (inch)	B (inch)	C (inch)
36	17	LTI360017F	360 017 311	1271.097	76.0	20.0	51.0
36	21	LTI360021F	360 017 312	1041.927	76.0	20.0	51.0
42	17	LTI420017F	360 017 314	1864.868	82.0	20.0	54.0
42	21	LTI420021F	360 017 315	1796.304	82.0	20.0	54.0
42	26	LTI420026F	360 017 316	0.000	82.0	20.0	54.0
48	17	LTI480017F	360 017 318	2611.905	88.0	20.0	57.0
48	26	LTI480026F	360 017 320	1747.141	88.0	20.0	57.0
54	26	LTI540026F	360 017 323	1805.520	94.0	20.0	60.0

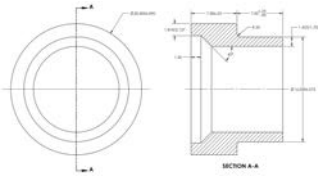


**FABRICATED BUTT FITTINGS: Tee
PE3408/PE4710
DIPS**

- Approval: AWWA C906
 - Approval: NSF-61
- Please call for more information on availability, pricing, other sizes and dimensions.

Size (inch)	SDR	GF Part No.	GF Part No.	weight (lb)	A (inch)	B (inch)	C (inch)
4	11	LTD040011F	360 017 130	6.680	16.8	6.0	8.4
6	9	LTD060009F	360 017 136	18.827	18.9	6.0	9.5
6	11	LTD060011F	360 017 137	15.763	18.9	6.0	9.5
6	17	LTD060017F	360 017 139	10.582	18.9	6.0	9.5
8	7	LTD080007F	360 017 142	51.632	25.0	8.0	12.5
8	9	LTD080009F	360 017 143	36.024	25.0	8.0	12.5
8	11	LTD080011F	360 017 144	35.031	25.0	8.0	12.5
10	9	LTD100009F	360 017 150	72.819	27.1	8.0	13.6
10	11	LTD100011F	360 017 151	61.024	27.1	8.0	13.6
10	17	LTD100017F	360 017 152	40.984	27.1	8.0	13.6
12	9	LTD120009F	360 017 156	111.488	29.2	8.0	14.6
12	11	LTD120011F	360 017 157	93.454	29.2	8.0	14.6
12	17	LTD120017F	360 017 158	42.196	29.2	8.0	14.6
14	11	LTD140011F	360 017 162	96.607	33.3	9.0	16.7
14	17	LTD140017F	360 017 163	94.997	33.3	9.0	16.7
16	9	LTD160009F	360 017 167	291.892	35.4	9.0	17.7
18	11	LTD180011F	360 017 173	271.014	39.5	10.0	19.8
20	7	LTD200007F	360 017 177	518.175	41.6	10.0	20.8
20	11	LTD200011F	360 017 179	350.601	41.6	10.0	20.8
24	11	LTD240011F	360 017 184	591.853	49.8	12.0	24.9
30	11	LTD300011F	360 017 188	733.015	60.0	14.0	30.0

Reducers



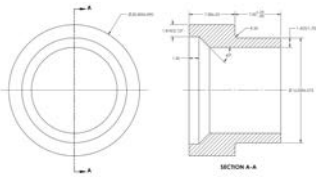
FABRICATED BUTT FITTINGS: Reducer PE3408/PE4710 IPS

- Approval: AWWA C906
- Approval: NSF-61
- Approval: ASTM D3261

Please call for more information on availability, pricing, other sizes and dimensions.

Size (inch)	SDR	GFCP Part No.	GF Part No.	weight (lb)
6 - 4	9	REI0604090	360 018 373	3.946
10 - 6	11	REI1006110	360 018 393	14.595
10 - 6	17	REI1006170	360 018 394	12.214
10 - 8	9	REI1008090	360 018 396	16.535
12 - 8	7	REI1208070	360 028 125	25.750
12 - 8	9	REI1208090	360 018 405	22.597
12 - 10	7	REI1210070	360 018 408	27.866
12 - 10	17	REI1210170	360 018 412	15.168
14 - 10	11	REI1410110	360 018 417	28.881
14 - 10	17	REI1410170	360 018 418	23.104
14 - 12	9	REI1412090	360 018 419	33.400
14 - 12	11	REI1412110	360 018 421	26.963
14 - 12	17	REI1412170	360 018 422	20.745
16 - 12	9	REI1612090	360 018 432	42.836
16 - 12	11	REI1612110	360 018 433	37.412
16 - 12	17	REI1612170	360 018 434	29.255
16 - 14	9	REI1614090	360 018 435	43.189
16 - 14	11	REI1614110	360 018 437	37.280
16 - 14	17	REI1614170	360 018 438	28.285
18 - 14	11	REI1814110	360 018 444	47.884
18 - 14	17	REI1814170	360 018 445	37.655
18 - 16	9	REI1816090	360 018 446	54.653
18 - 16	11	REI1816110	360 018 448	46.540
18 - 16	17	REI1816170	360 018 450	35.076
20 - 16	9	REI2016090	360 018 455	66.580
20 - 16	11	REI2016110	360 018 456	58.885
20 - 16	17	REI2016170	360 018 457	45.724
20 - 18	9	REI2018090	360 018 458	67.461
20 - 18	11	REI2018110	360 018 460	59.194
20 - 18	17	REI2018170	360 018 462	42.792
22 - 18	11	REI2218110	360 018 466	71.011
22 - 20	7	REI2220070	360 018 468	97.973
22 - 20	9	REI2220090	360 018 469	81.615
22 - 20	11	REI2220110	360 018 471	70.394
24 - 20	9	REI2420090	360 018 484	125.289
24 - 22	11	REI2422110	360 018 489	108.357
24 - 22	17	REI2422170	360 018 491	78.881
26 - 20	11		360 032 160	0.000
26 - 22	11	REI2622110	360 028 764	129.081
26 - 24	9	REI2624090	360 018 495	147.379
26 - 24	11	REI2624110	360 018 496	126.832
26 - 24	17		360 032 028	0.000
26 - 24	21		360 032 029	0.000
26 - 24	26	REI2624260	360 018 498	0.000
28 - 18	17	REI2818170	360 018 499	0.000
28 - 22	17		360 032 202	0.000
28 - 20	11		360 060 990	718.200
28 - 24	11	REI2824110	360 018 500	134.658
28 - 24	17	REI2824170	360 018 501	0.000
30 - 12	17	REI3012170	360 028 797	0.022
30 - 16	17		360 031 904	0.000

table continued on the next page



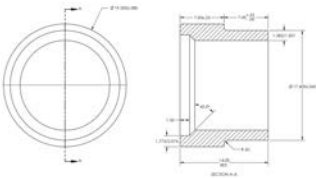
Size (inch)	SDR	GFCP Part No.	GF Part No.	weight (lb)
30 - 18	11		360 061 166	521.548
30 - 18	17		360 032 207	0.000
30 - 20	11	REI3020110	360 018 505	0.000
30 - 20	17	REI3020170	360 028 799	0.022
30 - 24	11	REI3024110	360 018 506	0.000
30 - 24	17	REI3024170	360 018 507	0.000
30 - 26	11	REI3026110	360 018 509	169.998
32 - 20	17	REI3220260	360 018 511	0.000
32 - 24	17		360 060 934	311.094
32 - 28	11	REI3228110	360 018 513	0.000
34 - 30	17	REI3430170	360 028 814	0.022
36 - 12	17	REI3612170	360 018 514	0.000
36 - 16	11		360 032 054	0.000
36 - 18	17	REI3618170	360 018 515	0.000
36 - 20	17	REI3620170	360 018 516	0.000
36 - 24	11	REI3624110	360 018 517	0.000
36 - 24	17	REI3624170	360 018 518	293.060
36 - 30	11	REI3630110	360 018 519	0.000
36 - 30	17	REI3630170	360 028 951	0.022
36 - 30	26	REI3630260	360 018 520	0.000
36 - 32	11	REI3632110	360 018 521	0.000
42 - 30	11	REI4230110	360 018 522	0.000
42 - 36	17	REI4236170	360 018 525	0.000
42 - 36	21	REI4236210	360 018 526	0.000
42 - 36	26	REI4236260	360 018 527	0.000
48 - 24	24		360 060 074	1653.467
48 - 30	17		360 060 075	1104.185
48 - 36	17	REI4836170	360 018 528	503.249
48 - 42	17		360 032 228	0.000
48 - 42	26	REI4842260	360 018 529	0.000
54 - 42	17		360 060 996	1442.683
54 - 48	17		360 060 079	1268.341



**FABRICATED BUTT FITTINGS: Reducer
PE3408/PE4710
DIPS**

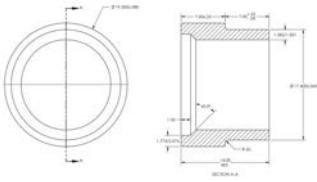
- Approval: AWWA C906
- Approval: NSF-61
- Approval: ASTM D3261

Please call for more information on availability, pricing, other sizes and dimensions.



Size (inch)	SDR	GFCP Part No.	GF Part No.	weight (lb)
6 - 4	11	RED0604110	360 018 257	2.690
8 - 6	9	RED0806090	360 018 263	9.568
8 - 6	11	RED0806110	360 018 264	8.510
8 - 6	17	RED0806170	360 018 265	6.680
10 - 8	9	RED1008090	360 018 270	17.659
10 - 8	11	RED1008110	360 018 271	15.565
12 - 10	11	RED1210110	360 018 281	21.627
12 - 10	17	RED1210170	360 018 282	16.645
14 - 12	7	RED14120711	360 028 569	36.619
14 - 12	9	RED1412090	360 018 286	39.485
14 - 12	11	RED1412110	360 018 287	34.480
16 - 14	11	RED1614110	360 018 295	44.004
16 - 14	17	RED1614170	360 018 297	33.069
18 - 16	11	RED1816110	360 018 302	55.556
20 - 18	11	RED2018110	360 018 309	67.969
24 - 20	11	RED2420110	360 018 316	127.273

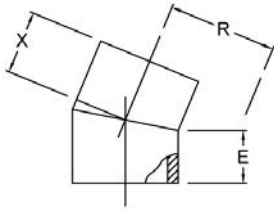
table continued on the next page



Size (inch)	SDR	GFCP Part No.	GF Part No.	weight (lb)
30 - 16	11	RED3016110	360 028 798	0.022
30 - 18	11		360 032 294	359.600
30 - 24	11		360 032 293	352.000
30 - 24	11	RED3024110		0.000

Elbows

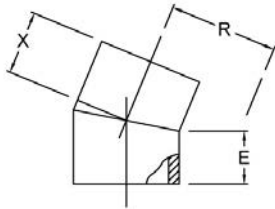
Segmented 22.5° Elbows



FABRICATED BUTT FITTINGS: 2 Segment 22.5° Elbow PE3408/PE4710 IPS

- Approval: AWWA C906
 - Approval: NSF-61
- Please call for more information on availability, pricing, other sizes and dimensions.

Size (inch)	SDR	GFCP Part No.	GF Part No.	weight (lb)	R (inch)	X (inch)	E (inch)
2	9	ELI022209F	360 015 844	0.617	3.6	4.3	4.0
2	11	ELI022211F	360 015 845	0.507	3.6	4.3	4.0
3	9	ELI032209F	360 015 864	1.345	5.3	4.4	4.0
3	11	ELI032211F	360 015 865	1.124	5.3	4.4	4.0
3	17	ELI032217F	360 015 866	0.750	5.3	4.4	4.0
4	7	ELI042207F	360 015 884	3.175	6.8	4.5	4.0
4	11	ELI042211F	360 015 886	1.896	6.8	4.5	4.0
4	17	ELI042217F	360 015 887	1.279	6.8	4.5	4.0
6	9	ELI062209F	360 015 937	7.937	10.0	6.7	6.0
6	11	ELI062211F	360 015 938	5.952	10.0	6.7	6.0
6	17	ELI062217F	360 015 939	3.990	10.0	6.7	6.0
8	7	ELI082207F	360 015 980	17.042	10.7	7.4	6.5
8	9	ELI082209F	360 015 981	13.558	10.7	7.4	6.5
8	11	ELI082211F	360 015 982	11.420	10.7	7.4	6.5
8	17	ELI082217F	360 015 983	7.452	10.7	7.4	6.5
10	9	ELI102209F	360 016 022	21.032	13.5	7.6	6.5
10	11	ELI102211F	360 016 023	17.196	13.5	7.6	6.5
10	17	ELI102217F	360 016 024	11.839	13.5	7.6	6.5
12	7	ELI122207F	360 016 057	44.511	16.0	9.3	8.0
12	11	ELI122211F	360 016 059	30.181	16.0	9.3	8.0
12	17	ELI122217F	360 016 060	20.260	16.0	9.3	8.0
14	11	ELI142211F	360 016 098	36.839	14.5	9.4	8.0
16	9	ELI162209F	360 016 133	58.422	16.8	9.6	8.0
16	11	ELI162211F	360 016 134	48.965	16.8	9.6	8.0
18	17	ELI182217F	360 016 170	42.593	18.4	9.8	8.0
20	17	ELI202217F	360 016 204	53.815	20.4	10.0	8.0
22	9	ELI222209F	360 016 237	117.043	22.4	10.2	8.0
22	11	ELI222211F	360 016 238	98.084	22.4	10.2	8.0
24	9	ELI242209F	360 016 271	141.625	24.5	10.4	8.0
24	17	ELI242217F	360 016 273	79.697	24.5	10.4	8.0
26	11	ELI262211F	360 016 307	167.772	26.5	12.6	10.0
26	17	ELI262217F	360 016 308	0.000	26.5	12.6	10.0
28	9	ELI282209F	360 016 321	235.388	28.5	12.8	10.0
28	11	ELI282211F	360 016 322	197.270	28.5	12.8	10.0
30	11	ELI302211F	360 016 339	230.559	30.5	13.0	10.0
30	17	ELI302217F	360 016 340	155.492	30.5	13.0	10.0
34	17	ELI342217F	360 016 368	0.000	41.0	13.4	10.0
36	11	ELI362211F	360 016 377	348.220	43.0	13.6	10.0
36	17	ELI362217F	360 016 378	232.808	43.0	13.6	10.0
48	17	ELI482217F	360 016 416	626.995	58.0	20.8	16.0
54	26	ELI542226F	360 016 434	544.233	64.0	21.4	16.0

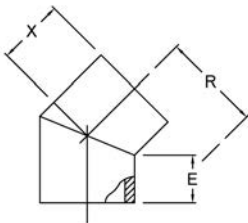


**FABRICATED BUTT FITTINGS: 2 Segment 22.5° Elbow
PE3408/PE4710
DIPS**

- Approval: AWWA C906
 - Approval: NSF-61
- Please call for more information on availability, pricing, other sizes and dimensions.

Size (inch)	SDR	GFCP Part No.	GF Part No.	weight (lb)	R (inch)	X (inch)	E (inch)
4	9	ELD042209F	360 015 503	3.638	7.2	6.5	6.0
4	11	ELD042211F	360 015 504	3.064	7.2	6.5	6.0
6	11	ELD062211F	360 015 537	7.121	10.4	6.7	6.0
6	17	ELD062217F	360 015 538	0.000	10.4	6.7	6.0
8	11	ELD082211F	360 015 568	12.302	11.3	7.4	6.5
8	17	ELD082217F	360 015 569	8.267	11.3	7.4	6.5
10	9	ELD102209F	360 015 600	22.597	13.9	7.6	6.5
10	11	ELD102211F	360 015 601	18.938	13.9	7.6	6.5
10	17	ELD102217F	360 015 602	12.721	13.9	7.6	6.5
12	9	ELD122209F	360 015 631	38.823	16.5	9.3	8.0
12	11	ELD122211F	360 015 632	32.540	16.5	9.3	8.0
12	17	ELD122217F	360 015 633	21.848	16.5	9.3	8.0
14	11	ELD142211F	360 015 666	44.710	16.1	9.5	8.0
14	17	ELD142217F	360 015 667	17.879	16.1	9.5	8.0
16	9	ELD162209F	360 015 695	88.339	18.3	9.7	8.0
16	11	ELD162211F	360 015 696	58.952	18.3	9.7	8.0
16	17	ELD162217F	360 015 697	39.573	18.3	9.7	8.0
18	11	ELD182211F	360 015 727	75.332	19.9	9.9	8.0
18	17	ELD182217F	360 015 728	29.079	19.9	9.9	8.0
20	11	ELD202211F	360 015 755	97.995	22.0	10.1	8.0
30	11	ELD302211F		267.000	38.0	13.2	10.0

Segmented 45° Elbows

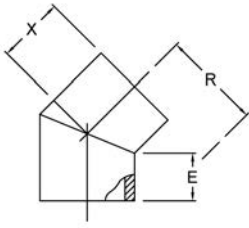


**FABRICATED BUTT FITTINGS: 2 Segment 45° Elbow
PE3408/PE4710
IPS**

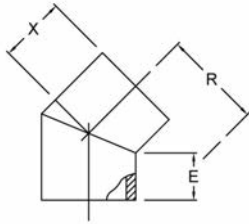
- Approval: AWWA C906
 - Approval: NSF-61
- Please call for more information on availability, pricing, other sizes and dimensions.

Size (inch)	SDR	GFCP Part No.	GF Part No.	weight (lb)	R (inch)	X (inch)	E (inch)
16	11	ELI1645112	360 016 143	57.430			
16	17	ELI1645172	360 016 145	37.611			
18	11	ELI1845112	360 016 177	79.344			
18	17	ELI1845172	360 016 179	50.795			
20	17	ELI2045172	360 016 214	66.006			
22	17	ELI2245172	360 016 248	0.002			
24	11	ELI2445112	360 016 281	148.217			
24	17	ELI2445172	360 016 283	110.011			
26	11	ELI2645112	360 016 311	203.950	26.5	15.4	10.0
26	17	ELI2645172	360 016 313	136.929	26.5	15.4	10.0
28	9	ELI2845092	360 016 324	289.709	28.5	15.8	10.0
28	11	ELI2845112	360 016 326	242.795	28.5	15.8	10.0
28	17	ELI2845172	360 016 329	163.010	28.5	15.8	10.0
30	9	ELI3045092	360 016 342	341.143	30.5	16.2	10.0
30	11	ELI3045112	360 016 344	285.895	30.5	16.2	10.0
30	17	ELI3045172	360 016 346	191.956	30.5	16.2	10.0
36	11	ELI3645112	360 016 382	441.167	43.0	17.5	10.0
36	17	ELI3645172	360 016 385	296.235	43.0	17.5	10.0

table continued on the next page



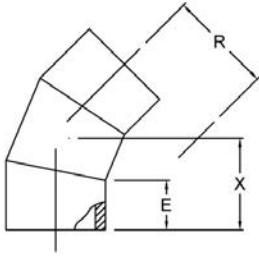
Size (inch)	SDR	GFCP Part No.	GF Part No.	weight (lb)	R (inch)	X (inch)	E (inch)
36	21	ELI3645212	360 016 387	242.817	43.0	17.5	10.0
42	17	ELI4245172	360 016 403	566.346	50.0	24.7	16.0
48	17	ELI4845172	360 016 419	776.711	58.0	25.9	16.0
54	26	ELI5445262	360 016 438	797.214	64.0	27.2	16.0



**FABRICATED BUTT FITTINGS: 2 Segment 45° Elbow
PE3408/PE4710
DIPS**

- Approval: AWWA C906
 - Approval: NSF-61
- Please call for more information on availability, pricing, other sizes and dimensions.

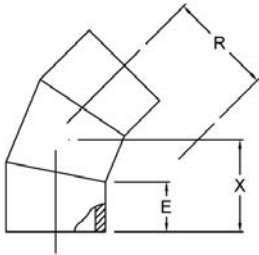
Size (inch)	SDR	GFCP Part No.	weight (lb)	GF Part No.	R (inch)	X (inch)	E (inch)
4	9	ELD0445092	3.940	360 015 510	7.2	7.0	6.0
4	11	ELD0445112	3.300	360 015 512	7.2	7.0	6.0
4	17	ELD0445172	2.220	360 015 514	7.2	7.0	6.0
6	9	ELD0645092	8.540	360 015 543	10.4	7.4	6.0
6	11	ELD0645112	7.150	360 015 545	10.4	7.4	6.0
6	17	ELD0645172	4.800	360 015 547	10.4	7.4	6.0
8	9	ELD0845092	16.470	360 015 575	11.3	8.4	6.5
8	11	ELD0845112	13.790	360 015 577	11.3	8.4	6.5
8	17	ELD0845172	9.260	360 015 579	11.3	8.4	6.5
10	9	ELD1045092	25.950	360 015 607	13.9	8.8	6.5
10	11	ELD1045112	21.750	360 015 609	13.9	8.8	
10	17	ELD1045172	14.600	360 015 611	13.9	8.8	6.5
12	7	ELD1245072	54.730	360 015 637			
12	11	ELD1245112	37.100	360 015 641			
12	17	ELD1245172	24.910	360 015 643			
14	9	ELD1445092	61.690	360 015 672			
14	11	ELD1445112	51.700	360 015 674			
14	17	ELD1445172	34.710	360 015 676			
16	11	ELD1645112	69.630	360 015 704			
16	17	ELD1645172	46.740	360 015 706			
18	9	ELD1845092	107.970	360 015 732			
18	11	ELD1845112	90.480	360 015 734			
18	17	ELD1845172	60.760	360 015 736			
20	7	ELD2045072	169.320	360 015 760			
20	11	ELD2045112	114.740	360 015 763			
24	17	ELD2445172	117.530	360 015 799			
30	9	ELD3045092	409.010	360 028 146			
36	17	ELD3645172	456.370	360 015 831			



**FABRICATED BUTT FITTINGS: 3 Segment 45° Elbow
PE3408/PE4710
IPS**

- Approval: AWWA C906
 - Approval: NSF-61
- Please call for more information on availability, pricing, other sizes and dimensions.

Size (inch)	SDR	GFCP Part No.	GF Part No.	weight (lb)	R (inch)	X (inch)	E (inch)
14	11	ELI144511F	360 016 108	54.234			
16	11	ELI164511F	360 016 144	74.626			
20	11	ELI204511F	360 016 213	128.882			
26	9	ELI264509F	360 016 310	354.503	48.0	21.4	10.0
26	17	ELI264517F	360 016 314	199.452	48.0	21.4	10.0
28	7		360 032 134	517.660	49.0	21.8	10.0
28	9	ELI284509F	360 016 325	417.533	49.0	21.8	10.0
28	11		360 032 262	349.900	49.0	21.8	10.0
30	9	ELI304509F	360 016 343	495.202	52.0	22.5	10.0
30	11	ELI304511F	360 016 345	414.998	52.0	22.5	10.0
30	17	ELI304517F	360 016 347	278.642	52.0	22.5	10.0
36	9	ELI364509F	360 016 381	0.000	58.0	24.2	10.0
36	17	ELI364517F	360 016 386	0.000	58.0	24.2	10.0
48	17	ELI484517F	360 016 420	1060.247	72.0	34.0	16.0
54	17		360 060 061	1556.990	81.0	36.2	16.0

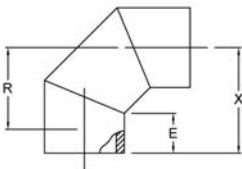


**FABRICATED BUTT FITTINGS: 3 Segment 45° Elbow
PE3408/PE4710
DIPS**

- Approval: AWWA C906
 - Approval: NSF-61
- Please call for more information on availability, pricing, other sizes and dimensions.

Size (inch)	SDR	GFCP Part No.	weight (lb)	GF Part No.	R (inch)	X (inch)	E (inch)
6	11	ELD064511F	9.810	360 015 546	15.0	9.4	6.0
8	11	ELD084511F	18.080	360 015 578	16.2	10.4	6.5
10	11	ELD104511F	28.200	360 015 610	17.2	10.8	6.5
12	11	ELD124511F	47.220	360 015 642	19.8	13.0	8.0
16	9	ELD164509F	136.900	360 015 703	26.1	14.5	8.0
16	11	ELD164511F	91.350	360 015 705	26.1	14.5	8.0
16	17	ELD164517F	61.320	360 015 707	26.1	14.5	8.0
20	11	ELD204511F	155.640	360 015 764	32.4	16.1	8.0

Segmented 90° Elbows

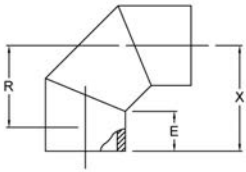


**FABRICATED BUTT FITTINGS: 3 Segment 90° Elbow
PE3408/PE4710
IPS**

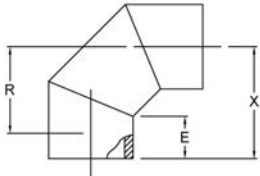
- Approval: AWWA C906
 - Approval: NSF-61
- Please call for more information on availability, pricing, other sizes and dimensions.

Size (inch)	SDR	GFCP Part No.	GF Part No.	weight (lb)	R (inch)	X (inch)	E (inch)
14	17	ELI144517F	360 016 110	36.398			
16	11	ELI1690113	360 016 157	93.564			
18	11	ELI1890113	360 016 191	131.836			
22	17	ELI2290173	360 016 262	140.964			
24	17	ELI244517F	360 016 284	136.047			
28	9	ELI2890093	360 016 331	0.000	28.5	32.5	10.0
28	11	ELI2890113	360 016 333	425.779	28.5	32.5	10.0

table continued on the next page



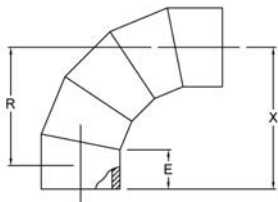
Size (inch)	SDR	GFPC Part No.	GF Part No.	weight (lb)	R (inch)	X (inch)	E (inch)
28	17	ELI2890173	360 016 336	285.873	28.5	32.5	10.0
30	11	ELI3090113	360 016 350	509.290	30.5	34.1	10.0
30	17	ELI3090173	360 016 352	341.937	30.5	34.1	10.0
36	11	ELI3690113	360 016 391	891.219	43.0	42.6	10.0
36	17	ELI3690173	360 016 394	598.401	43.0	42.6	10.0
42	17	ELI4290173	360 016 411	1042.324	50.0	54.0	16.0
48	17	ELI4890173	360 016 426	1495.285	58.0	59.9	16.0
48	26	ELI4890263	360 016 430	0.000	58.0	59.9	16.0
54	17	ELI5490173	360 028 072	2032.883	64.0	64.7	16.0



**FABRICATED BUTT FITTINGS: 3 Segment 90° Elbow
PE3408/PE4710
DIPS**

- Approval: AWWA C906
 - Approval: NSF-61
- Please call for more information on availability, pricing, other sizes and dimensions.

Size (inch)	SDR	GFPC Part No.	weight (lb)	GF Part No.	R (inch)	X (inch)	E (inch)
4	9	ELD0490093	5.730	360 015 523	7.2	11.2	6.0
4	11	ELD0490113	4.790	360 015 525	7.2	11.2	6.0
6	9	ELD06903F2	16.000	360 015 561	10.4	13.5	6.0
6	11	ELD0690113	11.490	360 015 556	10.4	13.5	6.0
8	9	ELD0890093	26.040	360 015 589	11.3	15.0	6.5
8	11	ELD0890113	21.810	360 015 591	11.3	15.0	6.5
8	17	ELD0890173	14.650	360 015 593	11.3	15.0	6.5
10	9	ELD1090093	43.360	360 015 619	13.9	16.9	6.5
10	11	ELD1090113	36.340	360 015 621	13.9	16.9	6.5
10	17	ELD1090173	24.400	360 015 623	13.9	16.9	6.5
12	9	ELD1290093	73.140	360 015 653	16.5	20.4	8.0
12	11	ELD1290113	61.310	360 015 655	16.5	20.4	8.0
12	17	ELD1290173	41.160	360 015 657	16.5	20.4	8.0
14	9	ELD1490093	99.850	360 015 683	16.1	20.6	8.0
14	11	ELD1490113	83.680	360 015 685	16.1	20.6	8.0
16	11	ELD1690113	115.820	360 015 717	18.3	22.3	8.0
18	11	ELD1890113	153.680	360 015 744	19.9	23.7	8.0
20	11	ELD2090113	200.260	360 015 776	22.0	25.4	8.0
24	9	ELD2490093	380.710	360 015 807	26.3	28.8	8.0
24	11	ELD2490113	319.030	360 015 809	26.3	28.8	8.0

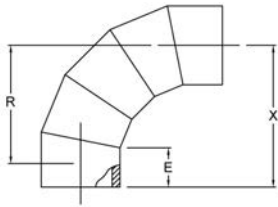


**FABRICATED BUTT FITTINGS: 5 Segment 90° Elbow
PE3408/PE4710
IPS**

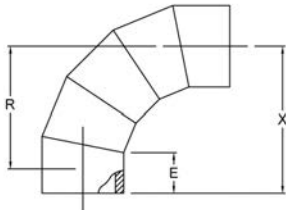
- Approval: AWWA C906
 - Approval: NSF-61
- Please call for more information on availability, pricing, other sizes and dimensions.

Size (inch)	SDR	GFPC Part No.	GF Part No.	weight (lb)	R (inch)	X (inch)	E (inch)
14	11	ELI149011F	360 016 122	86.002			
16	11	ELI169011F	360 016 158	125.928			
20	11	ELI209011F	360 016 228	226.790			
24	17	ELI249017F	360 016 298	248.329			
26	9	ELI269009F	360 016 316	661.255	48.0	51.0	10.0
26	11	ELI269011F	360 016 318	563.017	48.0	51.0	10.0
28	9	ELI289009F	360 016 332	781.803	49.0	52.0	10.0
30	9	ELI309009F	360 016 349	937.824	52.0	54.6	10.0
30	11		360 061 060	707.410	52.0	54.6	10.0
30	17	ELI309017F	360 016 353	527.698	52.0	54.6	10.0
36	9	ELI369009F	360 016 390	0.000	58.0	60.0	10.0

table continued on the next page



Size (inch)	SDR	GFCP Part No.	GF Part No.	weight (lb)	R (inch)	X (inch)	E (inch)
36	11		360 032 275	1233.520	58.0	60.0	10.0
36	17	ELI369017F	360 016 395	828.255	58.0	60.0	10.0
42	11	ELI429011F	360 016 408	0.000	63.0	70.7	16.0
42	17	ELI429017F	360 016 412	0.000	63.0	70.7	16.0
48	17	ELI489017F	360 016 427	1930.323	72.0	78.4	16.0
54	17	ELI549017F	360 016 442	0.000	81.0	86.3	16.0

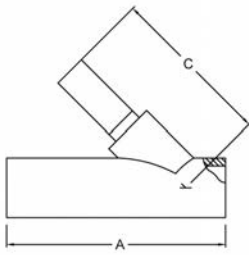


**FABRICATED BUTT FITTINGS: 5 Segment 90° Elbow
PE3408/PE4710
DIPS**

- Approval: AWWA C906
 - Approval: NSF-61
- Please call for more information on availability, pricing, other sizes and dimensions.

Size (inch)	SDR	GFCP Part No.	weight (lb)	GF Part No.	R (inch)	X (inch)	E (inch)
8	11	ELD089011F	29.640	360 015 592	16.2	20.4	6.5
10	11	ELD109011F	46.440	360 015 622	17.2	21.4	6.5
12	11	ELD129011F	76.580	360 015 656	19.8	25.2	8.0
16	11	ELD169011F	156.840	360 015 718	26.1	30.6	8.0
20	9	ELD209009F	332.750	360 015 775	32.4	36.1	8.0
20	11	ELD209011F	278.880	360 015 777	32.4	36.1	8.0
30	17	ELD309017F	570.000	360 015 830	48.0	51.6	10.0

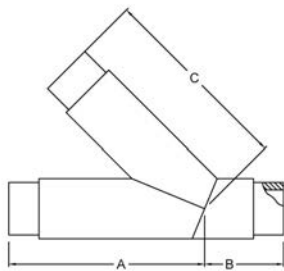
WYE



FABRICATED BUTT FITTINGS: 45° Lateral WYE with Reducer PE3408/PE4710, IPS

- Approval: AWWA C906
 - Approval: NSF-61
- Please call for more information on availability, pricing, other sizes and dimensions.

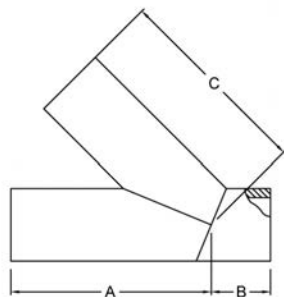
Size (inch)	SDR	GFCP Part No.	GF Part No.	weight (lb)	A (inch)	B (inch)	C (inch)
3 x 2	11		360 032 296	5.620			
8 x 4	17		360 028 935	0.022			
10 x 6	11	RWI1006110	360 028 502	0.022	39.0		31.0
12 x 4	17		360 060 083	0.000			
18 x 10	11		360 031 963	0.000			
18 x 12	9	RWI1812090	360 028 657	0.022			
24 x 12	11		360 031 791	0.022			
24 x 14	17	RWI2414170	360 028 743	0.022			
24 x 16	11		360 031 803	0.022			
28 x 24	11		360 032 281	1148.800			
36 x 18	17		360 032 154	0.000			



FABRICATED BUTT FITTINGS: 45° Full Pressure Reinforced Lateral WYE PE3408/PE4710, IPS, DR11

- Approval: AWWA C906
 - Approval: NSF-61
- Please call for more information on availability, pricing, other sizes and dimensions.

Size (inch)	GFCP Part No.	GF Part No.	weight (lb)	A (inch)	B (inch)	C (inch)
4	LWI0445110RE	360 028 827	0.022	28.0	13.0	28.0
6	LWI0645110RE	360 028 899	0.022	30.0	14.0	30.0
8	LWI0845110RE	360 028 985	0.022	31.0	14.5	31.0
10	LWI1045110RE	360 028 484	0.022	33.0	17.5	33.0

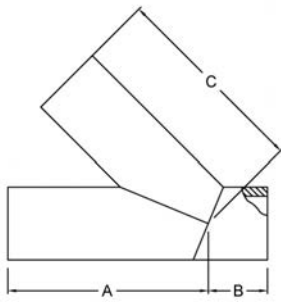


FABRICATED BUTT FITTINGS: 45° Unreinforced Lateral WYE PE3408/PE4710 IPS

- Approval: AWWA C901
 - Approval: NSF-61
- Please call for more information on availability, pricing, other sizes and dimensions.

Size (inch)	SDR	GFCP Part No.	weight (lb)	GF Part No.	A (inch)	B (inch)	C (inch)
2	7	LWI0245070	3.000	360 017 387	18.0	6.0	14.0
2	9	LWI0245090	2.000	360 017 388	18.0	6.0	14.0
2	11	LWI0245110	2.000	360 017 389	18.0	6.0	14.0
3	7	LWI0345070	7.000	360 017 390	18.0	7.0	14.0
3	9	LWI0345090	6.000	360 017 391	18.0	7.0	14.0
3	11	LWI0345110	5.000	360 017 392	18.0	7.0	14.0
4	7	LWI0445070	13.680	360 017 393	22.0	7.0	22.0
4	9	LWI0445090	14.000	360 017 394	22.0	7.0	22.0
4	11	LWI0445110	12.000	360 017 395	22.0	7.0	22.0
6	7	LWI0645070	42.000	360 017 397	28.0	7.0	28.0
6	9	LWI0645090	33.000	360 017 398	28.0	7.0	28.0
6	11	LWI0645110	30.000	360 017 399	28.0	7.0	28.0
8	7	LWI0845070	74.000	360 017 402	30.0	8.0	30.0
8	9	LWI0845090	59.000	360 017 403	30.0	8.0	30.0

table continued on the next page



Size (inch)	SDR	GFCP Part No.	weight (lb)	GF Part No.	A (inch)	B (inch)	C (inch)
8	11	LWI0845110	51.000	360 017 404	30.0	8.0	30.0
8	17	LWI0845170	30.840	360 017 405	30.0	8.0	30.0
10	9	LWI1045090	119.000	360 017 407	31.0	8.0	31.0
10	11	LWI1045110	98.000	360 017 408	31.0	8.0	31.0
10	17	LWI1045170	79.000	360 017 409	31.0	8.0	31.0
12	9	LWI1245090	148.000	360 017 411	33.0	11.0	33.0
12	11	LWI1245110	124.000	360 017 412	33.0	11.0	33.0
12	17	LWI1245170	84.000	360 017 413	33.0	11.0	33.0
14	11	LWI1445110	181.000	360 017 416	42.0	11.0	42.0
14	17	LWI1445170	123.000	360 017 417	42.0	11.0	42.0
16	11	LWI1645110	258.000	360 017 421	44.0	13.0	44.0
16	17	LWI1645170	174.000	360 017 422	44.0	13.0	44.0
18	9	LWI1845090	493.000	360 017 424	57.0	14.0	57.0
18	11	LWI1845110	415.000	360 017 425	57.0	14.0	57.0
18	17	LWI1845170	280.000	360 017 426	57.0	14.0	57.0
20	11	LWI2045110	563.000	360 017 429	65.0	14.0	65.0
24	9	LWI2445090	899.000	360 017 438	69.0	15.0	69.0
24	11	LWI2445110	861.000	360 017 437	69.0	15.0	69.0
24	17	LWI2445170	583.000	360 017 436	69.0	15.0	69.0

Index

Part No.	Page	Part No.	Page	Part No.	Page	Part No.	Page
10000301	34	10002693	23	10004127	60	10004309	53
10000618	16	10002694	23	10004130	60	10004310	53
10000627	67	10002695	23	10004131	59	10004311	53
10000628	67	10002696	23	10004133	59	10004317	53
10000725	66	10002697	23	10004134	60	10004318	53
10000739	5, 29	10002698	23	10004137	59	10004319	53
10000740	5, 27	10002699	23	10004139	60	10004320	97
10000741	6, 28	10002876	7, 27	10004140	61	10004324	97
10000796	22	10002877	7, 26	10004148	59	10004325	97
10000854	6, 28	10002878	7, 27	10004149	60	10004334	93
10000855	5, 29	10002882	7, 26	10004150	61	10004335	93
10000856	5, 29	10002906	65	10004155	59	10004336	93
10000857	5, 29	10002937	49	10004157	48	10004338	97
10001070	6, 28	10002938	49	10004159	48	10004341	97
10001071	5, 27	10002941	56	10004165	48	10004342	97
10001072	5, 27	10002945	60	10004168	49	10004345	93
10001073	5, 27	10002946	60	10004171	49	10004350	93
10001074	5, 27	10002956	64	10004173	49	10004353	94
10001075	28	10003122	48	10004179	49	10004357	94
10001076	28	10003129	93	10004184	49	10004358	94
10001077	28	10003194	4, 27	10004186	66	10004359	94
10001078	28	10003240	50	10004187	66	10004373	94
10001446	102	10003465	60	10004188	66	10004375	94
10001449	103	10003671	49	10004189	66	10004376	94
10001455	102	10003713	48	10004190	67	10004377	94
10001463	101	10003719	5, 29	10004191	66	10004385	94
10001465	100	10003734	5, 27	10004192	67	10004386	94
10001469	103	10003813	59	10004194	66	10004387	94
10001471	102	10003815	64	10004195	66	10004393	91
10001478	100	10003837	48	10004197	67	10004448	96
10001484	102	10003838	64	10004198	67	10004454	91
10001486	100	10003853	60	10004199	67	10004458	96
10001495	102	10003928	59	10004200	66	10004462	96
10001499	103	10003942	48	10004208	67	10004463	96
10001501	100	10003969	64	10004209	67	10004465	92
10001505	101	10004069	56	10004212	67	10004469	92
10001506	102	10004070	56	10004215	67	10004470	92
10001833	7	10004073	56	10004216	67	10004471	92
10001876	48	10004074	55	10004221	67	10004473	92
10001885	21	10004076	56	10004227	67	10004476	96
10001886	21	10004078	56	10004229	65	10004479	96
10001887	20	10004082	56	10004230	64	10004481	92
10001888	20	10004083	55	10004232	65	10004485	92
10001889	20	10004085	56	10004233	64	10004486	92
10001892	21	10004087	55	10004237	64	10004487	92
10001893	21	10004088	56	10004238	63	10004489	92
10001894	5, 22	10004094	55	10004240	65	10004490	92
10001895	5, 22	10004095	56	10004242	64	10004495	94
10001896	7, 21	10004101	55	10004246	64	10004876	35
10001897	7, 21	10004103	56	10004247	63	10004878	36
10001899	4	10004107	55	10004249	64	10004879	37
10001900	21	10004109	60	10004250	64	10004880	34
10002073	63	10004110	59	10004253	64	10004881	38
10002684	24	10004111	60	10004254	65	10004886	17
10002685	24	10004112	59	10004257	65	10004889	18
10002686	24	10004113	60	10004258	65	10004894	17
10002687	24	10004114	59	10004263	63, 64	10004900	18
10002688	24	10004115	60	10004266	65	10004902	17
10002689	23	10004116	60	10004267	65	10004911	17
10002690	23	10004119	60	10004273	63	10004915	18
10002691	23	10004121	59	10004307	52	10004923	17
10002692	23	10004123	60	10004308	52	10004930	18

Index

Part No.	Page	Part No.	Page	Part No.	Page	Part No.	Page
10004931	19	10005023	42	10005089	38	10005361	81
10004938	17	10005024	43	10005090	40	10005363	81
10004946	18	10005025	35	10005091	37	10005365	81
10004954	17	10005027	36	10005092	38	10005366	81
10004960	77	10005028	36	10005093	40	10005367	81
10004961	76	10005029	37	10005094	35	10005368	81
10004962	76	10005030	38	10005096	35	10005369	87
10004963	71	10005031	39	10005097	40	10005370	87
10004964	73	10005032	40	10005098	37	10005371	87
10004965	77	10005033	41	10005100	40	10005372	87
10004966	76	10005034	42	10005101	42	10005373	87
10004967	71	10005035	42	10005102	35	10005374	87
10004968	76	10005036	43	10005103	36	10005375	87
10004969	76	10005037	35	10005104	37	10005376	87
10004970	71	10005039	36	10005106	42	10005378	80
10004971	73	10005040	36	10005107	42	10005379	80
10004972	77	10005041	37	10005108	35	10005380	80
10004973	76	10005042	38	10005110	34	10005381	80
10004974	72	10005043	40	10005111	36	10005382	80
10004975	71	10005044	39	10005112	37	10005383	80
10004976	77	10005045	35	10005113	38	10005384	80
10004977	76	10005046	36	10005114	39	10005385	80
10004978	76	10005047	37	10005115	9, 25	10005386	80
10004979	71	10005048	38	10005116	9	10005387	84
10004980	73	10005049	39	10005117	9, 24	10005388	84
10004981	77	10005050	40	10005118	12	10005389	84
10004982	76	10005051	42	10005119	4	10005390	84
10004983	73	10005052	43	10005122	5	10005391	84
10004984	72	10005053	40	10005128	14	10005392	84
10004985	77	10005054	35	10005133	9, 25	10005393	84
10004986	71	10005055	36	10005134	9	10005394	84
10004988	76	10005056	37	10005135	9, 24	10005395	84
10004989	76	10005057	37	10005142	14	10005396	84
10004990	71	10005058	38	10005146	20	10005397	84
10004991	73	10005059	39	10005157	14	10005398	84
10004992	77	10005060	40	10005158	12	10005399	84
10004993	76	10005061	42	10005167	14	10005400	84
10004994	73	10005062	43	10005168	9, 24	10005401	84
10004995	72	10005063	40	10005169	9	10005402	84
10004996	77	10005064	35	10005170	4	10005403	84
10004997	71	10005065	34	10005172	6, 26	10005404	82
10004999	76	10005066	36	10005173	14	10005405	82
10005000	76	10005067	37	10005178	12	10005406	83
10005001	71	10005068	38	10005182	4	10005407	82
10005002	73	10005069	40	10005184	4	10005408	82
10005003	77	10005070	42	10005186	4	10005409	83
10005004	76	10005071	43	10005189	20	10005410	82
10005005	73	10005072	40	10005200	14	10005411	82
10005006	72	10005073	36	10005201	12	10005413	82
10005007	77	10005074	37	10005208	6	10005414	82
10005008	71	10005075	38	10005209	6, 26	10005415	82
10005010	71	10005076	40	10005210	6, 20	10005416	15
10005012	77	10005077	38	10005214	12	10005417	16
10005014	73	10005078	40	10005216	14	10005418	15
10005015	72	10005079	35	10005230	100	10005419	15
10005016	77	10005080	36	10005231	100	10005420	16
10005017	71	10005081	37	10005239	103	10005421	15
10005018	71	10005082	38	10005240	102	10005880	80
10005019	73	10005083	40	10005356	81	10005951	6
10005020	71	10005085	37	10005357	81	10005953	94
10005021	41	10005086	35	10005358	81	10005965	4
10005022	42	10005088	37	10005360	81	10005970	7

Index

Part No.	Page	Part No.	Page	Part No.	Page	Part No.	Page
10005971	7	10009614	66	10011483	13	10012069	93
10005972	4	10009620	100	10011484	10	10012070	93
10005976	6	10009621	103	10011485	12	10012071	93
10005982	4	10009622	100	10011486	8	10012088	100
10005987	7	10009624	100	10011488	13	10012241	103
10005990	7	10009626	100	10011489	10	10012242	103
10006030	96	10009628	100	10011493	10	10012327	100
10006031	9, 25	10009746	100, 101	10011497	13	10012422	64
10006032	9, 24	10009792	58	10011498	10	10012423	62
10006033	9	10009818	83	10011499	12	10012709	94
10006198	6	10009819	83	10011500	8	10012757	7
10006298	93	10009820	83	10011503	7	10012760	7
10007223	7	10009821	83	10011504	14	10012762	7
10007297	5, 25	10009822	83	10011505	13	10012947	103
10007359	55	10009823	83	10011506	10	10012948	103
10007419	49	10009825	83	10011508	10	10013002	101
10007470	106	10009826	83	10011510	4	10013003	100
10007471	106	10009827	83	10011511	13	10013265	91
10007472	106	10009828	83	10011512	10	10013268	67
10007473	106	10009932	4	10011513	12	10013288	11
10007474	106	10010065	4	10011514	8	10013306	11
10007482	67	10010108	7	10011515	14	10013307	11
10007483	67	10010248	4	10011516	10	10013372	56
10007486	91	10010289	91	10011517	13	10013377	56
10007487	91	10010540	67	10011518	10	10013398	56
10007706	11	10010605	47	10011570	13	10013644	6
10007745	60	10010606	47	10011640	10	10013645	6
10007746	64	10010690	67	10011641	10	10013666	6
10007785	60	10010818	48	10011642	10	10013670	67
10007786	48	10010907	67	10011643	8	10013739	103
10007787	64	10010943	101	10011644	10	10013740	103
10007788	60	10010944	100	10011645	10	10013742	100
10007789	64	10010964	103	10011646	10	10013744	101
10007935	4	10011125	6	10011647	12	10013746	101
10007936	4	10011128	6	10011648	13	10013748	101
10007998	24	10011131	6	10011649	14	10013754	102
10008170	90	10011139	91	10011658	6	10013755	102
10008171	90	10011142	91	10011668	4	10013756	102
10008172	90	10011143	91	10011669	4	10013757	102
10008173	90	10011144	91	10011687	105	10013758	102
10008174	90	10011176	101	10011752	55	10013759	100
10008175	90	10011177	100	10011753	55	10013760	100
10008176	90	10011383	103	10011754	55	10013761	100
10008177	90	10011384	103	10011755	55	10013762	100
10008631	64	10011450	6	10011756	58	10013808	6
10008763	60	10011451	12	10011757	58	10013809	6
10008764	60	10011452	13	10011758	58	10013813	6
10008765	64	10011453	12	10011759	58	10013883	67
10008766	60	10011454	14	10011760	58	10013935	60
10008767	64	10011455	13	10011761	63	10014249	64
10008768	48	10011456	11	10011762	63	10014253	62
10008769	67	10011457	13	10011763	63	10014452	54
10009047	7	10011458	12	10011764	63	10014453	54
10009164	4	10011459	14	10011765	63	10014471	54
10009197	12	10011460	13	10011771	48	10014472	54
10009504	56	10011462	6	10011772	49	10014875	92
10009505	56	10011464	8	10011773	49	10014958	66
10009506	56	10011469	13	10011774	49	360 000 017	92
10009507	93	10011471	12	10012037	103	360 000 019	55
10009510	48	10011476	14	10012038	103	360 000 020	59
10009591	7	10011478	13	10012061	103	360 000 021	59
10009592	7	10011481	10	10012062	103	360 000 022	60

Index

Part No.	Page	Part No.	Page	Part No.	Page	Part No.	Page
360 000 035	67	360 000 249	58	360 000 378	67	360 000 514	64
360 000 038	64	360 000 252	60	360 000 379	66	360 000 515	62
360 000 040	60	360 000 255	59	360 000 380	66	360 000 517	64
360 000 041	60	360 000 256	60	360 000 381	66	360 000 519	64
360 000 043	60	360 000 258	57	360 000 382	67	360 000 520	62
360 000 044	60	360 000 260	58	360 000 383	66	360 000 521	64
360 000 045	60	360 000 263	60	360 000 384	66	360 000 523	64
360 000 046	60	360 000 266	59	360 000 385	66	360 000 524	65
360 000 048	56	360 000 267	57	360 000 386	66	360 000 534	63
360 000 052	56	360 000 268	60	360 000 388	66	360 000 535	65
360 000 053	64	360 000 270	58	360 000 389	66	360 000 536	65
360 000 054	91	360 000 271	60	360 000 390	66	360 000 538	64
360 000 055	91	360 000 273	60	360 000 391	67	360 000 539	62
360 000 057	92	360 000 276	58	360 000 393	67	360 000 540	62
360 000 058	92	360 000 277	58	360 000 394	66	360 000 542	64
360 000 068	67	360 000 281	59	360 000 396	66	360 000 547	63
360 000 069	67	360 000 282	60	360 000 398	66	360 000 548	65
360 000 072	106	360 000 283	61	360 000 399	67	360 000 549	65
360 000 073	106	360 000 286	58	360 000 405	67	360 000 551	64
360 000 074	106	360 000 287	58	360 000 412	67	360 000 552	62
360 000 075	106	360 000 289	60	360 000 416	66	360 000 554	62
360 000 076	106	360 000 295	59	360 000 417	66	360 000 555	64
360 000 166	56	360 000 296	60	360 000 419	66	360 000 560	63
360 000 168	54	360 000 297	61	360 000 423	66	360 000 562	40
360 000 170	54	360 000 300	58	360 000 429	67	360 000 563	38
360 000 173	56	360 000 302	58	360 000 430	67	360 000 564	40
360 000 175	55	360 000 304	60	360 000 433	66	360 000 565	35
360 000 176	56	360 000 309	59	360 000 434	66	360 000 566	36
360 000 178	56	360 000 310	46	360 000 435	66	360 000 567	37
360 000 179	54	360 000 311	47	360 000 440	67	360 000 568	38
360 000 181	54	360 000 313	46	360 000 445	67	360 000 569	40
360 000 184	56	360 000 314	48	360 000 446	67	360 000 571	37
360 000 186	55	360 000 315	47	360 000 449	66	360 000 572	35
360 000 187	55	360 000 316	48	360 000 450	66	360 000 573	32
360 000 188	54	360 000 317	46	360 000 458	67	360 000 579	32
360 000 189	56	360 000 318	48	360 000 461	66	360 000 580	37
360 000 192	56	360 000 319	47	360 000 462	66	360 000 581	38
360 000 195	54	360 000 320	47	360 000 464	66	360 000 582	40
360 000 197	54	360 000 321	48	360 000 472	67	360 000 583	37
360 000 203	55	360 000 322	48	360 000 473	65	360 000 584	38
360 000 204	56	360 000 323	47	360 000 474	63	360 000 585	40
360 000 216	55	360 000 333	49	360 000 476	63	360 000 586	35
360 000 217	56	360 000 334	48	360 000 477	64	360 000 587	32
360 000 227	55	360 000 338	49	360 000 478	62	360 000 590	35
360 000 228	60	360 000 339	49	360 000 479	65	360 000 592	36
360 000 229	57	360 000 341	49	360 000 480	63	360 000 594	33
360 000 230	59	360 000 343	49	360 000 482	64	360 000 595	37
360 000 231	57	360 000 344	46	360 000 483	62	360 000 596	40
360 000 233	57	360 000 345	46	360 000 486	64	360 000 597	37
360 000 234	60	360 000 347	49	360 000 487	64	360 000 599	40
360 000 235	57	360 000 351	49	360 000 488	62	360 000 600	42
360 000 236	59	360 000 352	48	360 000 492	65	360 000 601	35
360 000 237	57	360 000 354	46	360 000 494	62	360 000 602	32
360 000 238	60	360 000 361	49	360 000 496	62	360 000 605	34
360 000 239	59	360 000 366	46	360 000 499	64	360 000 607	36
360 000 240	57	360 000 371	49	360 000 501	63	360 000 609	37
360 000 241	60	360 000 372	66	360 000 502	65	360 000 612	42
360 000 242	57	360 000 373	66	360 000 504	64	360 000 613	42
360 000 243	59	360 000 374	66	360 000 505	62	360 000 614	35
360 000 244	57	360 000 375	66	360 000 507	62	360 000 615	32
360 000 245	60	360 000 376	66	360 000 510	64	360 000 618	34
360 000 247	57	360 000 377	66	360 000 513	63	360 000 620	36

Index

Part No.	Page	Part No.	Page	Part No.	Page	Part No.	Page
360 000 622	37	360 001 594	92	360 002 114	87	360 002 179	85
360 000 623	33	360 001 595	92	360 002 115	87	360 002 180	84
360 000 624	38	360 001 596	92	360 002 116	87	360 002 181	85
360 000 626	38	360 001 598	92	360 002 117	87	360 002 182	84
360 000 627	34	360 001 599	92	360 002 118	87	360 002 183	85
360 000 629	39	360 001 600	92, 92	360 002 119	87	360 002 185	84
360 000 652	105	360 001 630	17	360 002 120	87	360 002 186	84
360 000 653	105	360 001 634	18	360 002 121	87	360 002 187	85
360 000 654	105	360 001 637	17	360 002 122	87	360 002 188	84
360 000 655	105	360 001 644	17	360 002 123	87	360 002 189	85
360 000 656	105	360 001 647	18	360 002 124	87	360 002 190	84
360 000 657	105	360 001 650	19	360 002 125	87	360 002 191	85
360 000 658	105	360 001 664	17	360 002 126	87	360 002 192	82
360 000 659	105	360 001 673	18	360 002 127	87	360 002 193	82
360 000 660	105	360 001 682	17	360 002 128	87	360 002 195	82
360 000 661	105	360 001 693	18	360 002 129	80	360 002 196	82
360 000 662	105	360 001 694	19	360 002 130	80	360 002 197	83
360 000 663	105	360 001 704	17	360 002 131	80	360 002 198	82
360 000 664	105	360 001 716	18	360 002 132	80	360 002 199	82
360 000 665	105	360 001 724	17	360 002 133	80	360 002 200	82
360 001 398	77	360 001 775	105	360 002 134	80	360 002 201	82
360 001 415	97	360 001 782	101	360 002 135	80	360 002 202	83
360 001 419	97	360 001 804	100	360 002 136	80	360 002 203	83
360 001 420	97	360 001 805	100	360 002 137	80	360 002 204	83
360 001 429	93	360 001 813	103	360 002 138	80	360 002 205	82
360 001 430	93	360 001 814	84	360 002 139	80	360 002 206	82
360 001 432	93	360 001 930	101	360 002 140	80	360 002 207	82
360 001 433	97	360 001 952	100	360 002 141	80	360 002 208	82
360 001 436	97	360 002 038	90	360 002 142	80	360 002 210	82
360 001 437	97	360 002 040	90	360 002 143	80	360 002 211	82
360 001 439	93	360 002 041	90	360 002 144	80	360 002 212	82
360 001 443	93	360 002 042	90	360 002 145	80	360 002 213	82
360 001 448	93	360 002 043	90	360 002 146	80	360 002 215	82
360 001 450	93	360 002 044	90	360 002 147	80	360 002 216	82
360 001 452	94	360 002 045	90	360 002 148	80	360 002 235	82
360 001 457	94	360 002 053	51	360 002 149	84	360 002 239	74
360 001 458	94	360 002 054	52	360 002 150	85	360 002 244	76
360 001 459	94	360 002 055	52	360 002 151	85	360 002 245	76
360 001 471	94	360 002 056	51	360 002 152	84	360 002 246	71
360 001 474	94	360 002 091	81	360 002 153	85	360 002 247	73
360 001 475	94	360 002 092	81	360 002 155	85	360 002 249	75
360 001 476	94	360 002 093	81	360 002 156	84	360 002 250	77
360 001 477	94	360 002 094	81	360 002 157	85	360 002 251	76
360 001 486	94	360 002 095	81	360 002 159	84	360 002 252	71
360 001 487	94	360 002 096	81	360 002 160	85	360 002 253	76
360 001 488	94	360 002 097	81	360 002 161	85	360 002 255	76
360 001 489	94	360 002 098	81	360 002 162	84	360 002 257	71
360 001 495	91	360 002 099	81	360 002 163	86	360 002 258	70
360 001 550	96	360 002 100	81	360 002 164	84	360 002 259	73
360 001 556	91	360 002 101	81	360 002 165	86	360 002 260	75
360 001 564	96	360 002 102	81	360 002 166	86	360 002 262	76
360 001 568	96	360 002 103	81	360 002 167	85	360 002 264	72
360 001 569	96	360 002 104	81	360 002 169	86	360 002 265	71
360 001 571	92	360 002 105	81	360 002 170	84	360 002 266	70
360 001 575	92	360 002 106	81	360 002 171	85	360 002 267	77
360 001 576	92	360 002 107	81	360 002 172	84	360 002 268	74
360 001 577	92	360 002 108	81	360 002 173	85	360 002 271	74
360 001 579	92	360 002 109	81	360 002 174	85	360 002 274	76
360 001 584	96	360 002 110	81	360 002 175	84	360 002 275	76
360 001 587	96	360 002 111	87	360 002 176	85	360 002 276	71
360 001 589	92	360 002 112	87	360 002 177	84	360 002 277	74
360 001 593	92	360 002 113	87	360 002 178	85	360 002 278	73

Index

Part No.	Page	Part No.	Page	Part No.	Page	Part No.	Page
360 002 280	77	360 002 687	5	360 003 047	66	360 003 587	35
360 002 282	76	360 002 689	5, 27	360 003 048	39	360 003 588	34
360 002 284	73	360 002 692	6, 26	360 003 049	35	360 003 589	35
360 002 286	72	360 002 694	7	360 003 129	83	360 003 590	36
360 002 287	77	360 002 695	7, 27	360 003 130	83	360 003 591	36
360 002 288	71	360 002 697	4	360 003 131	83	360 003 592	36
360 002 292	74	360 002 701	22	360 003 132	83	360 003 593	36
360 002 296	76	360 002 705	28	360 003 133	83	360 003 594	36
360 002 297	76	360 002 707	6, 28	360 003 159	6	360 003 595	36
360 002 298	71	360 002 708	4	360 003 405	85	360 003 596	36
360 002 299	74	360 002 709	23	360 003 406	46	360 003 597	36
360 002 300	73	360 002 710	5, 29	360 003 407	46	360 003 599	37
360 002 301	77	360 002 712	23	360 003 409	46	360 003 600	37
360 002 302	76	360 002 714	7	360 003 442	48	360 003 602	37
360 002 304	73	360 002 716	23	360 003 451	93	360 003 603	37
360 002 305	75	360 002 718	4	360 003 454	48	360 003 604	37
360 002 307	72	360 002 719	5, 27	360 003 460	66	360 003 605	37
360 002 308	77	360 002 721	6, 26	360 003 461	100	360 003 606	37
360 002 309	71	360 002 722	7	360 003 462	103	360 003 607	38
360 002 311	74	360 002 723	4	360 003 463	100	360 003 608	38
360 002 317	76	360 002 726	22	360 003 465	100	360 003 610	38
360 002 318	76	360 002 728	28	360 003 466	100	360 003 611	39
360 002 319	71	360 002 730	24	360 003 482	100	360 003 613	38
360 002 320	70	360 002 732	6	360 003 490	67	360 003 614	39
360 002 321	73	360 002 733	6, 28	360 003 493	47	360 003 615	38
360 002 322	77	360 002 734	4	360 003 497	67	360 003 616	38
360 002 324	76	360 002 735	5, 29	360 003 500	48	360 003 617	40
360 002 325	73	360 002 736	23	360 003 504	100	360 003 618	39
360 002 326	75	360 002 739	7, 26	360 003 506	103	360 003 619	40
360 002 327	72	360 002 742	5, 27	360 003 508	91	360 003 620	40
360 002 328	77	360 002 745	7	360 003 509	91	360 003 621	40
360 002 329	71	360 002 746	4	360 003 510	91	360 003 622	40
360 002 330	74	360 002 749	22	360 003 511	91	360 003 623	40
360 002 332	74	360 002 754	28	360 003 513	105	360 003 624	40
360 002 336	71	360 002 755	4	360 003 514	58	360 003 625	40
360 002 337	70	360 002 756	4	360 003 527	70	360 003 629	12
360 002 338	74	360 002 757	5, 29	360 003 535	32	360 003 634	6
360 002 341	77	360 002 759	23	360 003 536	32	360 003 635	4
360 002 343	73	360 002 761	7	360 003 537	32	360 003 637	4
360 002 344	75	360 002 763	23	360 003 538	32	360 003 638	4
360 002 346	72	360 002 765	5	360 003 539	32	360 003 767	83
360 002 347	77	360 002 766	5, 27	360 003 540	33	360 003 768	83
360 002 348	71	360 002 769	7	360 003 542	33	360 003 769	83
360 002 349	74	360 002 770	4, 27	360 003 544	33	360 003 770	83
360 002 351	71	360 002 773	22	360 003 545	85	360 003 772	83
360 002 352	73	360 002 775	28	360 003 546	75	360 004 276	32
360 002 353	77	360 002 777	24	360 003 547	75	360 004 277	48
360 002 354	71	360 002 780	5, 29	360 003 548	75	360 004 278	41
360 002 657	5, 29	360 002 781	23	360 003 549	75	360 004 279	41
360 002 659	23	360 002 784	5, 27	360 003 551	75	360 004 280	42
360 002 662	5, 27	360 002 787	7	360 003 552	70	360 004 281	42
360 002 663	7, 27	360 002 788	7	360 003 553	70	360 004 282	42
360 002 670	24	360 002 789	22	360 003 554	70	360 004 283	42
360 002 672	6	360 002 791	53	360 003 555	70	360 004 284	42
360 002 673	6, 28	360 002 792	53	360 003 556	70	360 004 285	42
360 002 674	23	360 002 793	53	360 003 557	70	360 004 286	42
360 002 676	5, 29	360 002 794	53	360 003 558	70	360 004 287	43
360 002 679	23	360 002 796	53	360 003 577	7	360 004 288	43
360 002 681	7, 26	360 002 798	53	360 003 578	48	360 004 289	43
360 002 684	23	360 002 864	91	360 003 581	35	360 004 290	43
360 002 685	4	360 002 879	46	360 003 583	35	360 004 291	43
360 002 686	5, 25	360 003 038	50	360 003 586	35	360 004 292	96

Index

Part No.	Page	Part No.	Page	Part No.	Page	Part No.	Page
360 004 293	4	360 015 456	47	360 015 695	125	360 016 179	125
360 004 433	103	360 015 457	47	360 015 696	125	360 016 191	127
360 004 436	93	360 015 459	47	360 015 697	125	360 016 204	124
360 014 825	98	360 015 460	47	360 015 703	127	360 016 213	127
360 014 829	98	360 015 465	47	360 015 704	126	360 016 214	125
360 014 833	98	360 015 466	47	360 015 705	127	360 016 228	128
360 014 837	98	360 015 468	47	360 015 706	126	360 016 237	124
360 014 840	98	360 015 469	47	360 015 707	127	360 016 238	124
360 014 843	98	360 015 503	125	360 015 717	128	360 016 248	125
360 014 846	97	360 015 504	125	360 015 718	129	360 016 262	127
360 014 847	98	360 015 510	126	360 015 727	125	360 016 271	124
360 014 851	97	360 015 512	126	360 015 728	125	360 016 273	124
360 014 852	98	360 015 514	126	360 015 732	126	360 016 281	125
360 014 856	97	360 015 523	128	360 015 734	126	360 016 283	125
360 014 857	98	360 015 525	128	360 015 736	126	360 016 284	127
360 014 861	97	360 015 537	125	360 015 744	128	360 016 298	128
360 014 862	98	360 015 538	125	360 015 755	125	360 016 307	124
360 014 869	97	360 015 543	126	360 015 760	126	360 016 308	124
360 014 870	98	360 015 545	126	360 015 763	126	360 016 310	127
360 014 874	98	360 015 546	127	360 015 764	127	360 016 311	125
360 014 878	97	360 015 547	126	360 015 775	129	360 016 313	125
360 014 879	98	360 015 556	128	360 015 776	128	360 016 314	127
360 014 883	97	360 015 561	128	360 015 777	129	360 016 316	128
360 014 886	97	360 015 568	125	360 015 799	126	360 016 318	128
360 014 889	97	360 015 569	125	360 015 807	128	360 016 321	124
360 014 890	97	360 015 575	126	360 015 809	128	360 016 322	124
360 014 893	97	360 015 577	126	360 015 830	129	360 016 324	125
360 014 895	97	360 015 578	127	360 015 831	126	360 016 325	127
360 014 897	98	360 015 579	126	360 015 844	124	360 016 326	125
360 014 898	97	360 015 589	128	360 015 845	124	360 016 329	125
360 014 901	98	360 015 591	128	360 015 864	124	360 016 329	125
360 014 902	98	360 015 592	129	360 015 865	124	360 016 331	127
360 014 903	98	360 015 593	128	360 015 866	124	360 016 332	128
360 015 162	112	360 015 600	125	360 015 884	124	360 016 333	127
360 015 163	112	360 015 601	125	360 015 886	124	360 016 336	128
360 015 258	112	360 015 602	125	360 015 887	124	360 016 339	124
360 015 260	112	360 015 607	126	360 015 937	124	360 016 340	124
360 015 261	112	360 015 609	126	360 015 938	124	360 016 342	125
360 015 262	112	360 015 610	127	360 015 939	124	360 016 343	127
360 015 263	112	360 015 611	126	360 015 980	124	360 016 344	125
360 015 264	112	360 015 619	128	360 015 981	124	360 016 345	127
360 015 265	112	360 015 621	128	360 015 982	124	360 016 346	125
360 015 266	112	360 015 622	129	360 015 983	124	360 016 347	127
360 015 267	112	360 015 623	128	360 016 022	124	360 016 349	128
360 015 268	112	360 015 631	125	360 016 023	124	360 016 350	128
360 015 269	112	360 015 632	125	360 016 024	124	360 016 352	128
360 015 411	47	360 015 633	125	360 016 057	124	360 016 353	128
360 015 413	47	360 015 637	126	360 016 059	124	360 016 368	124
360 015 416	47	360 015 641	126	360 016 060	124	360 016 377	124
360 015 417	48	360 015 642	127	360 016 098	124	360 016 378	124
360 015 418	48	360 015 643	126	360 016 108	127	360 016 378	124
360 015 420	48	360 015 653	128	360 016 110	127	360 016 381	127
360 015 423	48	360 015 655	128	360 016 122	128	360 016 382	125
360 015 424	48	360 015 656	129	360 016 133	124	360 016 385	125
360 015 426	48	360 015 657	128	360 016 134	124	360 016 386	127
360 015 428	48	360 015 666	125	360 016 143	125	360 016 387	126
360 015 443	47	360 015 667	125	360 016 144	127	360 016 390	128
360 015 446	47	360 015 672	126	360 016 145	125	360 016 391	128
360 015 448	47	360 015 674	126	360 016 157	127	360 016 394	128
360 015 450	47	360 015 676	126	360 016 158	128	360 016 395	129
360 015 453	47	360 015 683	128	360 016 170	124	360 016 403	126
360 015 455	47	360 015 685	128	360 016 177	125	360 016 408	129
						360 016 411	128
						360 016 412	129

Index

Part No.	Page	Part No.	Page	Part No.	Page	Part No.	Page
360 016 416	124	360 017 080	109	360 017 298	119	360 017 689	101
360 016 419	126	360 017 081	109	360 017 299	119	360 017 690	101
360 016 420	127	360 017 082	109	360 017 302	119	360 017 697	115
360 016 426	128	360 017 083	109	360 017 303	119	360 017 698	101, 115
360 016 427	129	360 017 087	109	360 017 306	119	360 017 700	101, 115
360 016 430	128	360 017 091	109	360 017 307	119	360 017 701	115
360 016 434	124	360 017 095	109	360 017 309	119	360 017 702	102
360 016 438	126	360 017 096	109	360 017 310	119	360 017 704	103
360 016 442	129	360 017 130	120	360 017 311	120	360 017 705	103
360 016 753	94	360 017 136	120	360 017 312	120	360 017 781	102
360 016 754	94	360 017 137	120	360 017 314	120	360 017 782	103
360 016 762	94	360 017 139	120	360 017 315	120	360 017 783	103
360 016 763	94	360 017 142	120	360 017 316	120	360 017 784	104
360 016 772	94	360 017 143	120	360 017 318	120	360 017 789	102
360 016 773	94	360 017 144	120	360 017 320	120	360 017 790	103
360 016 780	95	360 017 150	120	360 017 323	120	360 017 797	102
360 016 781	95	360 017 151	120	360 017 387	130	360 017 798	103
360 016 782	95	360 017 152	120	360 017 388	130	360 017 799	103
360 016 783	95	360 017 156	120	360 017 389	130	360 017 800	104
360 016 790	95	360 017 157	120	360 017 390	130	360 017 805	102
360 016 791	95	360 017 158	120	360 017 391	130	360 017 806	103
360 016 792	95	360 017 162	120	360 017 392	130	360 017 812	102
360 016 793	95	360 017 163	120	360 017 393	130	360 017 813	103
360 016 799	95	360 017 167	120	360 017 394	130	360 017 816	104
360 016 800	95	360 017 173	120	360 017 395	130	360 017 820	115
360 016 802	95	360 017 177	120	360 017 397	130	360 017 821	115
360 016 804	95	360 017 179	120	360 017 398	130	360 017 822	115
360 016 810	113	360 017 184	120	360 017 399	130	360 017 823	104, 115
360 016 811	113	360 017 188	120	360 017 402	130	360 018 257	122
360 016 812	113	360 017 205	119	360 017 403	130	360 018 263	122
360 016 813	113	360 017 216	119	360 017 404	131	360 018 264	122
360 016 819	114	360 017 218	119	360 017 405	131	360 018 265	122
360 016 822	114	360 017 226	119	360 017 407	131	360 018 270	122
360 016 824	114	360 017 227	119	360 017 408	131	360 018 271	122
360 016 828	114	360 017 229	119	360 017 409	131	360 018 281	122
360 016 829	114	360 017 231	119	360 017 411	131	360 018 282	122
360 016 831	114	360 017 236	119	360 017 412	131	360 018 286	122
360 016 834	114	360 017 237	119	360 017 413	131	360 018 287	122
360 016 839	114	360 017 239	119	360 017 416	131	360 018 295	122
360 016 841	114	360 017 241	119	360 017 417	131	360 018 297	122
360 016 843	114	360 017 245	119	360 017 421	131	360 018 302	122
360 016 844	114	360 017 246	119	360 017 422	131	360 018 309	122
360 016 846	114	360 017 247	119	360 017 424	131	360 018 316	122
360 016 848	114	360 017 248	119	360 017 425	131	360 018 373	121
360 016 849	114	360 017 252	119	360 017 426	131	360 018 393	121
360 016 854	114	360 017 253	119	360 017 429	131	360 018 394	121
360 016 856	114	360 017 254	119	360 017 436	131	360 018 396	121
360 016 857	114	360 017 255	119	360 017 437	131	360 018 405	121
360 016 858	114	360 017 261	119	360 017 438	131	360 018 408	121
360 016 861	114	360 017 262	119	360 017 653	100	360 018 412	121
360 016 864	114	360 017 268	119	360 017 654	100	360 018 417	121
360 016 866	114	360 017 269	119	360 017 655	101	360 018 418	121
360 016 868	114	360 017 274	119	360 017 663	100	360 018 419	121
360 016 869	114	360 017 275	119	360 017 664	100	360 018 421	121
360 016 870	114	360 017 276	119	360 017 665	101	360 018 422	121
360 016 872	114	360 017 282	119	360 017 671	100	360 018 432	121
360 016 873	114	360 017 287	119	360 017 672	100	360 018 433	121
360 016 874	114	360 017 288	119	360 017 673	100	360 018 434	121
360 016 912	92	360 017 289	119	360 017 674	101	360 018 435	121
360 017 076	109	360 017 292	119	360 017 679	100	360 018 437	121
360 017 077	109	360 017 293	119	360 017 681	101	360 018 438	121
360 017 079	109	360 017 297	119	360 017 682	101	360 018 444	121

Index

Part No.	Page	Part No.	Page	Part No.	Page	Part No.	Page
360 018 445	121	360 018 798	119	360 019 201	117	360 019 693	113
360 018 446	121	360 018 802	119	360 019 214	117	360 019 696	113
360 018 448	121	360 018 811	119	360 019 215	116	360 019 697	113
360 018 450	121	360 018 847	116	360 019 216	117	360 019 698	113
360 018 455	121	360 018 848	116	360 019 221	117	360 019 699	113
360 018 456	121	360 018 852	116	360 019 224	117	360 019 860	55
360 018 457	121	360 018 853	116	360 019 225	117	360 019 864	55
360 018 458	121	360 018 854	117	360 019 226	117	360 019 866	55
360 018 460	121	360 018 858	116	360 019 227	117	360 019 868	56
360 018 462	121	360 018 863	116	360 019 228	118	360 019 871	55
360 018 466	121	360 018 864	116	360 019 231	117	360 019 890	58
360 018 468	121	360 018 870	116	360 019 234	117	360 019 897	58
360 018 469	121	360 018 871	116	360 019 236	118	360 019 901	58
360 018 471	121	360 018 876	116	360 019 239	117	360 019 905	58
360 018 484	121	360 018 877	116	360 019 240	118	360 019 914	47
360 018 489	121	360 018 882	116	360 019 241	117	360 019 920	48
360 018 491	121	360 018 883	116	360 019 242	118	360 019 923	49
360 018 495	121	360 018 888	116	360 019 244	117	360 019 928	49
360 018 496	121	360 018 893	116	360 019 245	118	360 019 931	49
360 018 498	121	360 018 894	116	360 019 247	118	360 019 962	67
360 018 499	121	360 018 899	116	360 019 248	117	360 020 015	63
360 018 500	121	360 018 900	116	360 019 249	117	360 020 019	63
360 018 501	121	360 018 909	116	360 019 250	117	360 020 025	63
360 018 505	122	360 018 915	116	360 019 251	117	360 020 030	63
360 018 506	122	360 018 920	116	360 019 252	117	360 020 036	63
360 018 507	122	360 018 926	117	360 019 255	117	360 020 836	16
360 018 509	122	360 018 930	116	360 019 257	118	360 020 838	15
360 018 511	122	360 018 935	116	360 019 435	113	360 020 839	16
360 018 513	122	360 018 936	117	360 019 437	113	360 020 842	16
360 018 514	122	360 018 940	116	360 019 445	113	360 020 843	16
360 018 515	122	360 018 941	116	360 019 448	113	360 020 847	15
360 018 516	122	360 018 942	117	360 019 450	113	360 020 848	16
360 018 517	122	360 018 946	116	360 019 452	113	360 020 853	16
360 018 518	122	360 018 947	116	360 019 470	113	360 020 854	15
360 018 519	122	360 018 948	117	360 019 472	113	360 020 856	16
360 018 520	122	360 018 953	116	360 019 583	107	360 020 858	15
360 018 521	122	360 018 954	116	360 019 590	107	360 020 859	16
360 018 522	122	360 018 955	117	360 019 594	107	360 021 844	93
360 018 525	122	360 018 959	116	360 019 596	107	360 021 846	93
360 018 526	122	360 018 960	116	360 019 617	113	360 021 857	94
360 018 527	122	360 018 961	118	360 019 618	107, 113	360 021 859	91
360 018 528	122	360 018 981	117	360 019 619	113	360 022 230	100
360 018 529	122	360 018 986	117	360 019 621	108	360 022 231	103
360 018 679	118	360 018 992	118	360 019 624	108	360 022 233	100
360 018 684	118	360 019 008	117	360 019 625	108	360 022 235	103
360 018 689	118	360 019 013	117	360 019 628	108	360 022 236	103
360 018 693	118	360 019 024	117	360 019 629	108	360 022 237	100
360 018 697	118	360 019 028	116	360 019 635	108	360 022 238	103
360 018 701	118	360 019 029	117	360 019 636	108	360 022 239	103
360 018 706	118	360 019 035	117	360 019 637	108	360 022 240	100
360 018 712	118	360 019 058	117	360 019 642	108	360 022 241	101
360 018 718	118	360 019 068	117	360 019 644	108	360 022 243	103
360 018 724	118	360 019 073	117	360 019 648	108	360 022 292	90
360 018 732	118	360 019 095	117	360 019 650	108	360 023 167	90
360 018 736	118	360 019 101	117	360 019 654	108	360 023 168	90
360 018 740	118	360 019 171	117	360 019 655	108	360 023 171	21
360 018 744	118	360 019 182	117	360 019 661	108	360 023 173	24
360 018 753	118	360 019 183	118	360 019 672	108	360 023 176	12
360 018 757	118	360 019 187	116	360 019 673	108	360 023 177	12
360 018 762	118	360 019 188	117	360 019 677	108	360 023 178	11
360 018 784	118	360 019 194	117	360 019 688	108	360 023 179	11
360 018 788	118	360 019 200	116	360 019 689	108	360 023 180	23

Index

Part No.	Page	Part No.	Page	Part No.	Page	Part No.	Page
360 023 182	13	360 023 311	12	360 023 420	13	360 028 623	118
360 023 183	12	360 023 312	8	360 023 421	10	360 028 644	104
360 023 187	14	360 023 316	6	360 023 423	12	360 028 657	130
360 023 190	13	360 023 317	7	360 023 424	8	360 028 662	118
360 023 192	23	360 023 318	14	360 023 426	6	360 028 666	118
360 023 193	12	360 023 319	10	360 023 427	7	360 028 698	118
360 023 194	13	360 023 323	13	360 023 428	7	360 028 743	130
360 023 195	14	360 023 324	10	360 023 430	14	360 028 764	121
360 023 196	11	360 023 325	12	360 023 431	14	360 028 772	108, 113
360 023 197	14	360 023 326	9	360 023 432	10	360 028 774	117
360 023 198	14	360 023 327	13	360 023 437	13	360 028 775	117
360 023 199	14	360 023 328	9	360 023 438	10	360 028 795	112
360 023 200	13	360 023 329	14	360 023 441	12	360 028 797	121
360 023 201	22	360 023 330	14	360 023 442	9	360 028 798	123
360 023 204	11	360 023 332	10	360 023 443	13	360 028 799	122
360 023 206	13	360 023 333	13	360 023 444	9	360 028 803	112
360 023 207	12	360 023 334	10	360 023 445	6	360 028 814	122
360 023 208	14	360 023 336	9	360 023 446	20	360 028 819	112
360 023 209	13	360 023 337	9, 24	360 023 447	14	360 028 827	130
360 023 210	12	360 023 338	21	360 023 448	14	360 028 848	115
360 023 211	13	360 023 343	12	360 023 449	10	360 028 876	96
360 023 212	14	360 023 345	11	360 023 450	13	360 028 899	130
360 023 213	13	360 023 346	10	360 023 451	10	360 028 913	107
360 023 214	9, 25	360 023 350	23	360 023 452	4	360 028 935	130
360 023 215	9, 24	360 023 353	13	360 023 455	9, 25	360 028 951	122
360 023 216	9	360 023 354	8, 10	360 023 456	9	360 028 985	130
360 023 217	4	360 023 355	12	360 023 457	9, 24	360 028 989	118
360 023 219	21	360 023 364	7	360 023 461	6	360 029 035	104
360 023 223	6, 20	360 023 365	7	360 023 462	11	360 029 039	56
360 023 224	4	360 023 366	14	360 023 463	10	360 029 042	56
360 023 225	6	360 023 367	14	360 023 467	13	360 029 044	56
360 023 227	8	360 023 368	10	360 023 468	10	360 029 046	67
360 023 229	12	360 023 374	13	360 023 469	12	360 029 049	67
360 023 231	11	360 023 375	10	360 023 470	8	360 029 050	67
360 023 232	11	360 023 377	21	360 023 472	7	360 029 052	64
360 023 240	13	360 023 378	23	360 023 473	14	360 029 081	100
360 023 242	12	360 023 381	5, 22	360 023 474	10	360 029 082	101
360 023 249	6	360 023 382	12	360 023 479	13	360 029 083	100
360 023 250	22	360 023 383	12	360 023 481	23	360 029 088	101
360 023 252	11	360 023 384	9	360 023 483	12	360 029 090	100
360 023 253	14	360 023 385	13	360 023 484	9	360 029 091	102
360 023 254	14	360 023 386	9	360 023 485	9	360 029 092	100
360 023 263	13	360 023 387	20	360 023 487	14	360 029 093	103
360 023 266	21	360 023 388	20	360 023 488	14	360 029 094	102
360 023 267	5, 22	360 023 389	7, 21	360 023 489	10	360 029 095	102
360 023 269	12	360 023 392	11	360 023 490	13	360 029 097	100
360 023 273	13	360 023 393	14	360 023 491	10	360 029 101	101
360 023 278	20	360 023 394	14	360 028 072	128	360 029 102	100
360 023 280	20	360 023 395	14	360 028 081	112	360 029 104	103
360 023 281	7, 21	360 023 396	10	360 028 094	118	360 029 116	6
360 023 283	11	360 023 398	13	360 028 095	118	360 029 118	6
360 023 284	14	360 023 399	10	360 028 125	121	360 029 120	6
360 023 285	14	360 023 405	9, 25	360 028 133	112	360 029 122	6
360 023 286	14	360 023 406	9	360 028 141	118	360 029 124	6
360 023 289	13	360 023 407	9, 24	360 028 142	118	360 029 125	6
360 023 298	4	360 023 409	24	360 028 146	126	360 029 209	62
360 023 300	24	360 023 411	12	360 028 219	56	360 029 220	54
360 023 302	12	360 023 413	11	360 028 266	56	360 029 251	60
360 023 303	11	360 023 414	11	360 028 476	97	360 031 791	130
360 023 304	10	360 023 415	10	360 028 484	130	360 031 803	130
360 023 308	13	360 023 417	23	360 028 502	130	360 031 815	117
360 023 310	10	360 023 419	4	360 028 569	122	360 031 816	117

Index

Part No.	Page	Part No.	Page	Part No.	Page	Part No.	Page
360 031 847	112	360 060 997	112	690121223000	81	6910958	57
360 031 879	91	360 061 015	113	690121224000	82	6910960	54
360 031 880	92	360 061 016	113	690122200000	87	6910962	62
360 031 904	121	360 061 060	128	690127521000	85	6910963	58
360 031 927	101	360 061 061	117	690151520000	80	6910964	54
360 031 928	101	360 061 086	117	690151523000	81	6910965	62
360 031 931	113	360 061 095	117	690151524000	82	6910966	58
360 031 963	130	360 061 114	119	690152200000	87	6910967	54
360 031 969	116	360 061 119	115	690502200000	87	6911107	66
360 031 987	118	360 061 166	122	690505023000	81	6911234	66
360 032 025	96	360 061 179	112	690505024000	82	6911238	66
360 032 028	121	360 061 181	112	690622200000	87	6911245	66
360 032 029	121	360 061 183	112	690626223000	81	6911248	66
360 032 035	117	360 061 469	118	690626224000	82	6911354	57
360 032 040	93	6900002	85	690752200000	87	6911356	57
360 032 054	122	6900003	85	690755021000	85	6911424	58
360 032 105	118	6900007	85	690756221000	85	6911433	58
360 032 134	127	6900008	85	690757523000	81	6911434	62
360 032 154	130	6900019	85	690757524000	82	6911477	66
360 032 160	121	6900020	85	6910022	66	6911483	54
360 032 162	97	6900021	85	6910025	66	6911493	63
360 032 189	95	6900037	85	6910052	47	6911497	46
360 032 192	118	6900047	86	6910056	57	6911501	92
360 032 202	121	690010120000	80	6910067	57	6911526	54
360 032 203	115	690010123000	81	6910068	57	6911600	66
360 032 207	122	690010124000	82	6910073	66	6911612	90
360 032 228	122	690011121000	86	6910216	62	6911719	66
360 032 262	127	690012200000	87	6910217	62	6911789	66
360 032 275	129	690015021000	86	6910218	66	6911790	63
360 032 281	130	690016221000	85	6910220	47	6911803	51
360 032 293	123	690017521000	86	6910221	47	6911809	66
360 032 294	123	690020220000	80	6910222	46	6911893	66
360 032 296	130	690020223000	81	6910223	66	6912002	90
360 060 028	7	690020224000	82	6910225	47	6912014	57
360 060 029	7	690021221000	85	6910226	62	6912105	92
360 060 030	7	690021521000	85	6910227	66	6912107	51
360 060 031	7	690022200000	87	6910228	66	6912124	92
360 060 032	7	690030221000	85	6910265	57	6912133	57
360 060 061	127	690030320000	80	691032200000	46	6912135	62
360 060 072	118	690030323000	81	691042200000	46	6912138	46
360 060 073	118	690030324000	82	6910451	66	6912139	63
360 060 074	122	690032200000	87	6910452	46	6912158	58
360 060 075	122	690040221000	85	6910453	46	6912314	66
360 060 077	118	690040321000	85	6910454	62	6912377	92
360 060 079	122	690040420000	80	6910455	58	6912378	92, 92
360 060 080	118	690040423000	81	6910476	62	6912389	66
360 060 083	130	690040424000	82	6910480	58	6912470	46
360 060 135	112	6900415	80	6910499	58	6916262	57
360 060 185	117	6900418	80	6910559	54	6920129	74
360 060 312	115	690042200000	87	6910569	62	6920130	74
360 060 314	113	6900503	83	691060624000	62	6920133	74
360 060 324	116	6900507	80	691062200000	46	6920134	74
360 060 327	116	6900554	85	6910624	46	6920143	75
360 060 328	116	6900556	85	6910625	66	6920144	70
360 060 417	112	6900560	83	6910631	47	6920145	75
360 060 418	112	6900579	85	691082200000	46	6920146	74
360 060 431	112	690111120000	80	6910823	91	6920147	74
360 060 489	116	690111123000	81	6910835	92	6920148	75
360 060 934	122	690111124000	82	6910950	62	6920149	75
360 060 983	112	690112200000	87	6910952	57	6920171	75
360 060 990	121	690120121000	85	6910954	54	6920174	74
360 060 996	122	690121220000	80	6910956	62	6920175	74

Index

Part No.	Page	Part No.	Page	Part No.	Page	Part No.	Page
6920177	74	6930466	14	6975034	105	ECD1400170	48
6920200	74	6930469	13	6975035	105	ECD1600110	48
6920201	74	6930470	12	6975063	105	ECD1800110	48
692020110000	75	6930474	13	6975064	105	ECD2000110	48
6920211	33	6930475	14	6975065	105	ECI1000110	47
692021230000	75	6930479	12	6975066	105	ECI1200090	47
6920263	70	6930483	13	6975067	105	ECI1200170	47
6920265	70	6930484	14	6975069	105	ECI1400110	47
6920267	70	6930487	13	BRID020275	98	ECI1600110	47
6920269	70	6930488	14	BRID030275	98	ECI1800090	47
6920271	70	6930492	13	BRID040275	98	ECI1800110	47
692027510000	70	6930493	14	BRID060275	98	ECI1800170	47
692030110000	75	6930496	13	BRID080275	98	ECI2000110	47
6920330	32	6930497	12	BRID100275	98	ECI2000170	47
6920337	32	6930501	13	BRID120160	97	ECI2400110	47
6920342	32	6930502	14	BRID120275	98	ECI2400170	47
6920343	33	6930662	11	BRID140160	97	ECI280000S	47
6920344	32	6930663	11	BRID140275	98	ECI300000S	47
692037510000	70	6930665	11	BRID160160	97	ELD042209F	125
6920398	32	6930666	11	BRID160275	98	ELD042211F	125
692040110000	75	6930672	11	BRID180160	97	ELD0445092	126
692040320000	32	6930727	5, 29	BRID180275	98	ELD0445112	126
6920407	32	6931251	5	BRID200160	97	ELD0445172	126
692047510000	70	6931252	7	BRID200275	98	ELD0490093	128
692060110000	75	6932409	11	BRID220275	98	ELD0490113	128
692060320000	32	6932611	22	BRID240160	97	ELD062211F	125
692060420000	33	6932612	22	BRID240275	98	ELD062217F	125
692067510000	70	6932613	22	BRID260200	97	ELD0645092	126
6920689	32	6932614	22	BRID280200	97	ELD0645112	126
6920690	33	6932615	22	BRID300100	97	ELD064511F	127
692087510000	70	6932616	22	BRID300160	97	ELD0645172	126
6920912	32	6932621	23	BRID320160	97	ELD0690113	128
6920913	33	6932622	23	BRID340160	97	ELD06903F2	128
6921046	32	6932623	23	BRID360100	98	ELD082211F	125
692127510000	70	6932624	23	BRID360160	97	ELD082217F	125
6930396	9	6932625	23	BRID420100	98	ELD0845092	126
6930397	9	6932626	23	BRID480080	98, 98	ELD0845112	126
6930401	10	6936548	19	BRID540080	98	ELD084511F	127
6930402	10	6936556	16	BSDI300217	112	ELD0845172	126
6930405	9	6936557	16	BSDI300417	112	ELD0890093	128
6930406	9	6936558	16	BSI1636110	112	ELD0890113	128
6930410	10	6936585	16	BSI2602090	112	ELD089011F	129
6930411	10	6936586	16	BSI3002110	112	ELD0890173	128
6930416	9	6940262	11	BSI3006090	112	ELD102209F	125
6930417	9	6940263	11	BSI3006110	112	ELD102211F	125
6930421	10	6940264	11	BSI3012110	112	ELD102217F	125
6930422	10	6940265	12	BSI3404110	112	ELD1045092	126
6930425	9	6940268	12	BSI3602110	112	ELD1045112	126
6930426	9	6940271	14	BSI3603110	112	ELD104511F	127
6930430	10	6940272	14	BSI3606110	112	ELD1045172	126
6930431	10	6940273	14	BSI3608110	112	ELD1090093	128
6930442	13	6940274	14	BSI3616170	112	ELD1090113	128
6930443	12	6940283	14	BSI4202110	112	ELD109011F	129
6930447	13	6940284	14	BSI4204110	112	ELD1090173	128
6930448	14	6970195	101	BSI4802110	112	ELD122209F	125
6930451	13	6975026	105	BSI4810110	112	ELD122211F	125
6930452	12	6975027	105	ECD0400110	47	ELD122217F	125
6930456	13	6975029	105	ECD0600110	47	ELD1245072	126
6930457	14	6975030	105	ECD0800110	47	ELD1245112	126
6930460	13	6975031	105	ECD0800170	48	ELD124511F	127
6930461	12	6975032	105	ECD1000110	48	ELD1245172	126
6930465	13	6975033	105	ECD1200110	48	ELD1290093	128

Index

Part No.	Page	Part No.	Page	Part No.	Page	Part No.	Page
ELD1290113	128	ELI144511F	127	ELI3645112	125	FAI3600210	114
ELD129011F	129	ELI144517F	127	ELI3645172	125	FAI3600260	114
ELD1290173	128	ELI149011F	128	ELI364517F	127	FAI4200110	114
ELD142211F	125	ELI162209F	124	ELI3645212	126	FAI4200170	114
ELD142217F	125	ELI162211F	124	ELI369009F	128	FAI4200260	114
ELD1445092	126	ELI1645112	125	ELI3690113	128	FAI4800170	114
ELD1445112	126	ELI164511F	127	ELI3690173	128	FAI4800210	114
ELD1445172	126	ELI1645172	125	ELI369017F	129	FAI4800260	114
ELD1490093	128	ELI1690113	127	ELI4245172	126	FAI5400170	114
ELD1490113	128	ELI169011F	128	ELI429011F	129	FAI5400210	114
ELD162209F	125	ELI182217F	124	ELI4290173	128	FAI5400260	114
ELD162211F	125	ELI1845112	125	ELI429017F	129	FAPIPE00041	92
ELD162217F	125	ELI1845172	125	ELI482217F	124	LCI0200110	109
ELD164509F	127	ELI1890113	127	ELI4845172	126	LCI0300110	109
ELD1645112	126	ELI202217F	124	ELI484517F	127	LCI0400090	109
ELD164511F	127	ELI204511F	127	ELI4890173	128	LCI0400110	109
ELD1645172	126	ELI2045172	125	ELI489017F	129	LCI0600070	109
ELD164517F	127	ELI209011F	128	ELI4890263	128	LCI0600090	109
ELD1690113	128	ELI222209F	124	ELI542226F	124	LCI0600110	109
ELD169011F	129	ELI222211F	124	ELI5445262	126	LCI0800110	109
ELD182211F	125	ELI2245172	125	ELI5490173	128	LCI1000110	109
ELD182217F	125	ELI2290173	127	ELI549017F	129	LCI1200110	109
ELD1845092	126	ELI242209F	124	FAD0600070	96	LCI1200170	109
ELD1845112	126	ELI242217F	124	FAD1000070	97	LTD040011F	120
ELD1845172	126	ELI2445112	125	FAI1400070	94	LTD060009F	120
ELD1890113	128	ELI2445172	125	FAI1400090	94	LTD060011F	120
ELD202211F	125	ELI244517F	127	FAI1600070	94	LTD060017F	120
ELD2045072	126	ELI249017F	128	FAI1600090	94	LTD080007F	120
ELD2045112	126	ELI262211F	124	FAI1800070	94	LTD080009F	120
ELD204511F	127	ELI262217F	124	FAI1800090	94	LTD080011F	120
ELD209009F	129	ELI264509F	127	FAI2000070	95	LTD100009F	120
ELD2090113	128	ELI2645112	125	FAI2000090	95	LTD100011F	120
ELD209011F	129	ELI2645172	125	FAI2000110	95	LTD100017F	120
ELD2445172	126	ELI264517F	127	FAI2000170	95	LTD120009F	120
ELD2490093	128	ELI269009F	128	FAI2200070	95	LTD120011F	120
ELD2490113	128	ELI269011F	128	FAI2200090	95	LTD120017F	120
ELD302211F	125	ELI282209F	124	FAI2200110	95	LTD140011F	120
ELD3045092	126	ELI282211F	124	FAI2200170	95	LTD140017F	120
ELD309017F	129	ELI2845092	125	FAI2400090	95	LTD160009F	120
ELD3645172	126	ELI284509F	127	FAI2400110	95	LTD180011F	120
ELI022209F	124	ELI2845112	125	FAI2400170	95	LTD200007F	120
ELI022211F	124	ELI2845172	125	FAI2400260	95	LTD200011F	120
ELI032209F	124	ELI2890093	127	FAI2600090	113	LTD240011F	120
ELI032211F	124	ELI289009F	128	FAI2600110	113	LTD300011F	120
ELI032217F	124	ELI2890113	127	FAI2600170	113	LTI040009F	119
ELI042207F	124	ELI2890173	128	FAI2600210	113	LTI060009F	119
ELI042211F	124	ELI302211F	124	FAI2800110	114	LTI060011F	119
ELI042217F	124	ELI302217F	124	FAI2800170	114	LTI080007F	119
ELI062209F	124	ELI3045092	125	FAI2800260	114	LTI080009F	119
ELI062211F	124	ELI304509F	127	FAI3000090	114	LTI080011F	119
ELI062217F	124	ELI3045112	125	FAI3000110	114	LTI080017F	119
ELI082207F	124	ELI304511F	127	FAI3000170	114	LTI100007F	119
ELI082209F	124	ELI3045172	125	FAI3000260	114	LTI100009F	119
ELI082211F	124	ELI304517F	127	FAI3200110	114	LTI100011F	119
ELI082217F	124	ELI309009F	128	FAI3200170	114	LTI100017F	119
ELI102209F	124	ELI3090113	128	FAI3200260	114	LTI120007F	119
ELI102211F	124	ELI3090173	128	FAI3200320	114	LTI120009F	119
ELI102217F	124	ELI309017F	128	FAI3400110	114	LTI120011F	119
ELI122207F	124	ELI342217F	124	FAI3400170	114	LTI120017F	119
ELI122211F	124	ELI362211F	124	FAI3400210	114	LTI140007F	119
ELI122217F	124	ELI362217F	124	FAI3600110	114	LTI140009F	119
ELI142211F	124	ELI364509F	127	FAI3600170	114	LTI140011F	119

Index

Part No.	Page	Part No.	Page	Part No.	Page	Part No.	Page
LTI140017F	119	LWI1845110	131	RED1614110	122	REI3620170	122
LTI160011F	119	LWI1845170	131	RED1614170	122	REI3624110	122
LTI160017F	119	LWI2045110	131	RED1816110	122	REI3624170	122
LTI180011F	119	LWI2445090	131	RED2018110	122	REI3630110	122
LTI180017F	119	LWI2445110	131	RED2420110	122	REI3630170	122
LTI200009F	119	LWI2445170	131	RED3016110	123	REI3630260	122
LTI200011F	119	MJD1400110	100	RED3024110	123	REI3632110	122
LTI200017F	119	MJD140011W	100	REI0604090	121	REI4230110	122
LTI220011F	119	MJD1400170	101	REI1006110	121	REI4236170	122
LTI240009F	119	MJD1600090	100	REI1006170	121	REI4236210	122
LTI240011F	119	MJD1600110	100	REI1008090	121	REI4236260	122
LTI240017F	119	MJD160011W	100	REI1208070	121	REI4836170	122
LTI260009F	119	MJD1600170	101	REI1208090	121	REI4842260	122
LTI260011F	119	MJD1800090	100	REI1210070	121	RTD0604110	118
LTI280009F	119	MJD1800110	100	REI1210170	121	RTD0804110	118
LTI280011F	119	MJD180011W	100	REI1410110	121	RTD0806110	118
LTI280017F	119	MJD1800170	101	REI1410170	121	RTD1004110	118
LTI300011F	119	MJD2000090	100	REI1412090	121	RTD1006110	118
LTI300017F	119	MJD2000110	101	REI1412110	121	RTD1008110	118
LTI320011F	119	MJD200011W	101	REI1412170	121	RTD1204110	118
LTI320017F	119	MJD2400110	101	REI1612090	121	RTD1206110	118
LTI360009F	119	MJD240011W	101	REI1612110	121	RTD1208110	118
LTI360011F	119	MJD3000090	115	REI1612170	121	RTD1210110	118
LTI360017F	120	MJD3000110	101, 115	REI1614090	121	RTD1406110	118
LTI360021F	120	MJD3600110	101, 115	REI1614110	121	RTD1408110	118
LTI420017F	120	MJD3600260	115	REI1614170	121	RTD1410110	118
LTI420021F	120	MJD4200110	115	REI1814110	121	RTD1412110	118
LTI420026F	120	MJI0200090	102	REI1814170	121	RTD1606110	118
LTI480017F	120	MJI0200110	103	REI1816090	121	RTD1608110	118
LTI480026F	120	MJI020011W	103	REI1816110	121	RTD1610110	118
LTI540026F	120	MJI1400090	102	REI1816170	121	RTD1810110	118
LWI0245070	130	MJI1400110	103	REI2016090	121	RTD1812110	118
LWI0245090	130	MJI140011W	103	REI2016110	121	RTD2006110	119
LWI0245110	130	MJI1400170	104	REI2016170	121	RTD2008110	119
LWI0345070	130	MJI140017W	104	REI2018090	121	RTD2012110	119
LWI0345090	130	MJI1600090	102	REI2018110	121	RTI0302090	116
LWI0345110	130	MJI1600110	103	REI2018170	121	RTI0302110	116
LWI0445070	130	MJI1800090	102	REI2218110	121	RTI0402090	116
LWI0445090	130	MJI1800110	103	REI2220070	121	RTI0402110	116
LWI0445110	130	MJI180011W	103	REI2220090	121	RTI0402170	117
LWI0445110RE	130	MJI1800170	104	REI2220110	121	RTI0403090	116
LWI0645070	130	MJI2000090	102	REI2420090	121	RTI0602090	116
LWI0645090	130	MJI2000110	103	REI2422110	121	RTI0602110	116
LWI0645110	130	MJI2400090	102	REI2422170	121	RTI0603090	116
LWI0645110RE	130	MJI2400110	103	REI2622110	121	RTI0603110	116
LWI0845070	130	MJI2400170	104	REI2624090	121	RTI0604090	116
LWI0845090	130	MJI3000110	115	REI2624110	121	RTI0604110	116
LWI0845110	131	MJI3000170	115	REI2624260	121	RTI0802090	116
LWI0845110RE	130	MJI3600110	115	REI2818170	121	RTI0802110	116
LWI0845170	131	MJI3600170	104, 115	REI2824110	121	RTI0803110	116
LWI1045090	131	MJPIPE00032	104	REI2824170	121	RTI0804090	116
LWI1045110	131	RED0604110	122	REI3012170	121	RTI0804110	116
LWI1045110RE	130	RED0806090	122	REI3020110	122	RTI0806090	116
LWI1045170	131	RED0806110	122	REI3020170	122	RTI0806110	116
LWI1245090	131	RED0806170	122	REI3024110	122	RTI1003110	116
LWI1245110	131	RED1008090	122	REI3024170	122	RTI1004110	116
LWI1245170	131	RED1008110	122	REI3026110	122	RTI1006110	116
LWI1445110	131	RED1210110	122	REI3220260	122	RTI1008170	117
LWI1445170	131	RED1210170	122	REI3228110	122	RTI1202110	116
LWI1645110	131	RED14120711	122	REI3430170	122	RTI1203110	116
LWI1645170	131	RED1412090	122	REI3612170	122	RTI1203170	117
LWI1845090	131	RED1412110	122	REI3618170	122	RTI1204090	116

Index

Part No.	Page	Part No.	Page
RTI1204110	116	RTI3620110	117
RTI1204170	117	RTI3624110	117
RTI1206090	116	RTI4208110	117
RTI1206110	116	RTI4220110	117
RTI1206170	117	RTI4224110	117
RTI1208090	116	RTI4228110	117
RTI1208110	116	RTI4230170	118
RTI1208170	117	RWI1006110	130
RTI1210090	116	RWI1812090	130
RTI1210110	116	RWI2414170	130
RTI1210170	118	SEI2600070	113
RTI1406110	117	SEI2600110	113
RTI1406170	118	SEI2800210	113
RTI1408110	117	SEI3000110	113
RTI1408170	118	SEI3000170	113
RTI1603110	117	SEI3000260	113
RTI1604110	117	SEI3600110	113
RTI1606170	118	SEI3600170	113
RTI1608110	117	WSD0600090	107
RTI1608170	118	WSD0800170	107
RTI1610090	116	WSD0800210	107
RTI1610110	117	WSD1000090	107
RTI1612110	117	WSD1000170	107
RTI1806110	117	WSD3000090	113
RTI1806170	118	WSD3000110	107, 113
RTI1808170	118	WSD3600170	113
RTI1810110	117	WSI0200110	108
RTI1812110	117	WSI0300090	108
RTI2004110	117	WSI0300110	108
RTI2006110	117	WSI0400090	108
RTI2008170	118	WSI0400110	108
RTI2018170	118	WSI0600090	108
RTI2402110	117	WSI0600110	108
RTI2404110	117	WSI0600170	108
RTI2404170	118	WSI0800090	108
RTI2406090	116	WSI0800170	108
RTI2406110	117	WSI1000090	108
RTI2408110	117	WSI1000170	108
RTI2410090	116	WSI1200090	108
RTI2410110	117	WSI1200110	108
RTI2414110	117	WSI1400110	108
RTI2416090	116	WSI1800110	108
RTI2416110	117	WSI1800170	108
RTI2420110	117	WSI2000110	108
RTI2616110	117	WSI2400110	108
RTI2802110	117	WSI2400170	108
RTI2812110	117	WSI2600170	113
RTI2818110	117	WSI2800090	108, 113
RTI2824110	117	WSI3600170	113
RTI3002110	117	WSI3600210	113
RTI3006170	118	WSI4200170	113
RTI3012110	117	WSI4800210	113
RTI3016110	117		
RTI3020170	118		
RTI3024170	118		
RTI3606110	117		
RTI3606170	118		
RTI3608110	117		
RTI3608170	118		
RTI3612110	117		
RTI3612170	118		
RTI3616170	118		