

Industrial & Municipal HDPE piping Systems

GF Central Plastics Design-Flow® IPS & DIPS

Catalog 2021





Design-Flow[®]
HDPE Piping System
superior performance in municipal
and industrial applications.



Table of contents

Introduction		1
Technical Information		1
Design-Flow IPS & DIPS HDPE Pipe	IPS HDPE Pipe	2
	DIPS HDPE Pipe	4
HDPE Iron Pipe Size Piping System		5
IPS HDPE Butt Fusion Fittings	90° Elbows	7
	45° Elbows	13
	22.5° Elbows	19
	Tees	22
	Reducing Tees	25
	Reducers	31
	End Caps	35
	Fabricated Cross	39
	Lateral Wyes	41
	Waterstops	43
	U-Bends	45
IPS HDPE Adapters	Flange Adapters	46
	Bolt Rings	51
	MJ Adapters	66
	IPS-DIPS Gland Kits	71
IPS HDPE Butt Fusion Saddle Fittings	Branch Saddles	72
	Service Saddles	76
IPS HDPE Electrofusion Fittings	EF Couplings	83
	EF Large Diameter Couplings	84
	EF Flex Restraints	85
	EF End Caps	86
	EF Reducers	87
IPS HDPE Electrofusion Saddle Fittings	EF Branch Saddles	88
	EF Full Pressure Saddles	91
	EF Low Pressure Saddles	94
	EF Gasketed Sewer Saddles	95
	EF Brass Transition Saddles	96
	EF Stainless Steel Transition Saddles	97
	EF Corp Saddles	98

Table of contents

IPS HDPE Transition Fittings	Threaded Cat 3 Transition	99
	Stainless Cat 1 Transition	102
	VI Grooved Cat 1 Transition	103
	Weld End Oil and Gas Cat	104
	Threaded External Coated	105
	Threaded Internal Coated	106
IPS HDPE Socket Fusion Fittings	90° Elbows	107
	Coupling	108
	Tees	109
	Reducing Tees	110
	Reducers	110
	End Caps	111



Table of contents

HDPE Ductile Iron Pipe Size Piping System		112
DIPS HDPE Butt Fusion Fittings	90° Elbows	113
	45° Elbows	118
	22.5° Elbows	123
	Tees	125
	Reducing Tees	127
	End Caps	128
	Waterstops	129
	Bell End MJ	131
DIPS HDPE Adapters	Flange Adapters	132
	Bolt Rings	136
	MJ Adapters	138
DIPS HDPE Electrofusion Fittings	EF Couplings	142
	EF Large Diameter Couplings	143
DIPS HDPE Electrofusion Saddle Fittings	EF Branch Saddles	144
	EF Gasketed Sewer Saddles	147
	EF Transition Saddles	148
	EF Corp Saddles	150

Technical Information

Physical	Nominal Value (English)	Nominal Value (SI)	Test Method
Density			ASTM D792
Natural	0.950 g/cm ³	0.950 g/cm ³	
Black ¹	0.960 g/cm ³	0.960 g/cm ³	
Melt Index			ASTM D1238
190°C/2.16 kg	0.081 g/10 min	0.081 g/10 min	
190°C/21.6 kg	7.5 g/10 min	7.5 g/10 min	
Mechanical	Nominal Value (English)	Nominal Value (SI)	Test Method
Tensile Strength ² (Yield)	> 3500 psi	> 24.1 MPa	ASTM D638
Tensile Elongation ² (Break)	> 500 %	> 500 %	ASTM D638
Flexural Modulus ³ ²	150000 psi	1030 MPa	ASTM D790B
Creep Rupture Strength - 1798 psi (12.4 MPa) (68°F (20°C))	> 200 hr	> 200 hr	ISO 1167
Hydrostatic Strength ¹			ISO 4427
1798 psi (12.4 MPa) : 68°F (20°C)	> 200 hr	> 200 hr	
725 psi (5.0 MPa) : 176°F (80°C)	> 1000 hr	> 1000 hr	
Resistance to Rapid Crack Propagation, Pc			
Full Scale : 32°F (0°C) ⁴	> 663 psi	> 45.7 bar	ISO 13478
S-4 : 32°F (0°C) ⁵	> 174 psi	> 12.0 bar	ISO 13477
Resistance to Rapid Crack Propagation, Tc S-4 ⁵			ISO 13477
32° F (0°C)	< 2° F	< -17° C	
Slow Crack Growth PENT ²	10000 hr	10000 hr	ASTM F1473
Impact	Nominal Value (English)	Nominal Value (SI)	Test Method
Notched Izod Impact ² (73°F (23°C))	9.1 ft-lb/in	490 J/m	ASTM D256A
Thermal	Nominal Value (English)	Nominal Value (SI)	Test Method
Brittleness Temperature ²	< -103° F	< -75.0° C	ASTM D746A
Thermal Stability	> 428° F	> 220° C	ASTM D3350

Design-Flow[®] IPS & DIPS HDPE Pipe

DR Ratings & Sizes

IPS: DR7, DR 9, DR 11, DR 13.5, DR 17, DR 21

Standard IPS pipe sizes: 2" to 36"

Additional sizes and DR available

DIPS: DR 7, DR 9, DR 11, DR 13.5, DR 17, DR 19, DR 21

Standard DIPS pipe sizes: 4" to 36"

Additional sizes and DR available

Options

No Stripe

Red Stripe

Blue Stripe

Green Stripe

Yellow Stripe

Black Pipe

Grey Pipe

Available Standards

M&I PE4710 HDPE : ASTM F714/D3035 AWWAC901/C906 NSF-61

OIL & GAS PE4710/PE3408 HDPE : ASTM F2619/D2513 CFR-192

FM Approved PE4710 HDPE : FM1613

Gray SL PE4710 HDPE : ASTM F714/D3035



DESIGN-FLOW® | DIPS HDPE PIPE

DUCTILE IRON PIPE SIZE PE4710 HIGH DENSITY POLYETHYLENE PIPE

GEORG FISCHER AVAILABLE STANDARDS:

DESIGN-FLOW® M & I PE4710 HDPE ASTM F714/D3035 AWWAC901/C906 NSF-61

DESIGN-FLOW® OIL & GAS PE4710/PE3408 HDPE ASTM F2619/D2513 CFR-192

DESIGN-FLOW® FM Approved PE4710 HDPE FM1613

DESIGN-FLOW® Gray SL PE4710 HDPE ASTM F714/D3035

Size		DR 32.5 CLASS 65 WPR @ 65psi			DR 26 CLASS 80 WPR @ 80psi			DR 21 CLASS 100 WPR @ 100psi			DR 17 CLASS 125 WPR @ 125psi		
DIPS Pipe Size	Pipe OD (in)	Avg ID (in)	Min Wall (in)	Weight (lbs/ft)	Avg ID (in)	Min Wall (in)	Weight (lbs/ft)	Avg ID (in)	Min Wall (in)	Weight (lbs/ft)	Avg ID (in)	Min Wall (in)	Weight (lbs/ft)
4"	4.800	4.487	0.148	0.95	4.408	0.185	1.18	4.315	0.229	1.44	4.202	0.282	1.76
6"	6.900	6.450	0.212	1.96	6.338	0.265	2.43	6.203	0.329	2.98	6.039	0.406	3.64
8"	9.050	8.460	0.278	3.38	8.312	0.348	4.19	8.136	0.431	5.13	7.922	0.532	6.26
10"	11.100	10.376	0.342	5.08	10.195	0.427	6.30	9.979	0.529	7.72	9.716	0.653	9.42
12"	13.200	12.339	0.406	7.19	12.123	0.508	8.91	11.867	0.629	10.92	11.555	0.776	13.32
14"	15.300	14.302	0.471	9.66	14.053	0.588	11.97	13.755	0.729	14.67	13.392	0.900	17.89
16"	17.400	16.265	0.535	12.49	15.982	0.669	15.48	15.643	0.829	18.97	15.229	1.024	23.14
18"	19.500	18.228	0.600	15.69	17.910	0.750	19.44	17.531	0.929	23.83	17.068	1.147	29.07
20"	21.600	20.191	0.665	19.25	19.838	0.831	23.86	19.419	1.029	29.24	18.905	1.271	35.66
24"	25.800	24.117	0.794	27.46	23.697	0.992	34.04	23.195	1.229	41.71	22.582	1.518	50.88
30"	32.000	29.913	0.985	42.24	29.391	1.231	52.36	28.770	1.524	64.17	28.009	1.882	78.28
36"	38.300	35.802	1.178	60.51	35.177	1.473	75.00	34.434	1.824	91.92	33.524	2.253	112.13

Size		DR 13.5 CLASS 160 WPR @ 160psi			DR 11 CLASS 200 WPR @ 200psi			DR 9 CLASS 250 WPR @ 250psi			DR 7 CLASS 335 WPR @ 335psi		
DIPS Pipe Size	Pipe OD (in)	Avg ID (in)	Min Wall (in)	Weight (lbs/ft)	Avg ID (in)	Min Wall (in)	Weight (lbs/ft)	Avg ID (in)	Min Wall (in)	Weight (lbs/ft)	Avg ID (in)	Min Wall (in)	Weight (lbs/ft)
4"	4.800	4.045	0.356	2.18	3.876	0.436	2.62	3.670	0.533	3.13	3.346	0.686	3.87
6"	6.900	5.817	0.511	4.50	5.571	0.627	5.42	5.274	0.767	6.47	4.810	0.986	8.00
8"	9.050	7.630	0.670	7.75	7.305	0.823	9.32	6.917	1.006	11.13	6.309	1.293	13.76
10"	11.100	9.357	0.822	11.66	8.961	1.009	14.03	8.486	1.233	16.74	7.738	1.586	20.70
12"	13.200	11.127	0.978	16.48	10.656	1.200	19.84	10.090	1.467	23.67	9.202	1.886	29.27
14"	15.300	12.898	1.133	22.15	12.351	1.391	26.65	11.696	1.700	31.80	10.666	2.186	39.33
16"	17.400	14.667	1.289	28.64	14.046	1.582	34.47	13.302	1.933	41.13	12.130	2.486	50.87
18"	19.500	16.439	1.444	35.97	15.741	1.773	43.29	14.906	2.167	51.66	13.594	2.786	63.89
20"	21.600	18.208	1.600	44.14	17.436	1.964	53.12	16.512	2.400	63.38	15.058	3.086	78.39
24"	25.800	21.749	1.911	62.97	20.829	2.345	75.78	19.722	2.867	90.43	17.986	3.686	111.83
30"	32.000	26.975	2.370	96.87	25.833	2.909	116.58	24.462	3.556	139.12	-	-	-
36"	38.300	32.285	2.837	138.77	-	-	-	-	-	-	-	-	-

Pressure Ratings are calculated using 0.63 design factor for HDS at 73° F as listed in PPI TR-4 for PE 4710 materials. Temperature, chemical and environmental use considerations may require use of additional design factors. Pipe weights are calculated in accordance with PPI-7 TR-7. Average inside diameter is calculated with nominal OD and minimum wall thickness plus 6%. Actual ID's will vary and are controlled by the dimensions and tolerances listed in the applicable pipe specification. PER AWWA C906 the working pressure rating equals the pressure class, with an allowance included in the WPR for pressure surge. The pressure and surge design basis for polyethylene pipe is different from the PVC and DI pipe design basis.

The Long-Term Hydrostatic Strength of PE4710 Polyethylene Pipe is 1600 psi at 73.4° F. All pipe sizes with the same DR and Long-Term Hydrostatic Strength will have equal operating pressure capability.

$$DR = \frac{\text{Pipe OD (in)}}{\text{Min. Wall Thickness (in)}}$$



DESIGN-FLOW® | IPS HDPE PIPE

IRON PIPE SIZE PE4710 HIGH DENSITY POLYETHYLENE PIPE

GEORG FISCHER AVAILABLE STANDARDS:

DESIGN-FLOW® M & I PE4710 HDPE ASTM F714/D3035 AWWAC901/C906 NSF-61

DESIGN-FLOW® FM Approved PE4710 HDPE FM1613

DESIGN-FLOW® OIL & GAS PE4710/PE3408 HDPE ASTM F2619/D2513 CFR-192

DESIGN-FLOW® Gray SL PE4710 HDPE ASTM F714/D3035

Size		DR 32.5 CLASS 65 WPR @ 65psi			DR 26 CLASS 80 WPR @ 80psi			DR 21 CLASS 100 WPR @ 100psi			DR 19 CLASS 110 WPR @ 110psi			DR 17 CLASS 125 WPR @ 125psi		
IPS Pipe Size	Pipe OD (in)	Avg ID (in)	Min Wall (in)	Weight (lbs/ft)	Avg ID (in)	Min Wall (in)	Weight (lbs/ft)	Avg ID (in)	Min Wall (in)	Weight (lbs/ft)	Avg ID (in)	Min Wall (in)	Weight (lbs/ft)	Avg ID (in)	Min Wall (in)	Weight (lbs/ft)
2"	2.375	-	-	-	-	-	-	-	-	-	-	-	-	2.078	0.140	0.43
3"	3.500	-	-	-	-	-	-	-	-	-	-	-	-	3.063	0.206	0.94
4"	4.500	-	-	-	-	-	-	4.046	0.214	1.27	-	-	-	3.938	0.265	1.55
5"	5.563	-	-	-	5.109	0.214	1.58	5.001	0.265	1.94	4.942	0.293	2.13	4.870	0.327	2.37
6"	6.625	-	-	-	6.084	0.255	2.24	5.957	0.315	2.75	5.886	0.349	3.02	5.798	0.390	3.36
8"	8.625	-	-	-	7.921	0.332	3.80	7.754	0.411	4.66	7.663	0.454	5.12	7.550	0.507	5.69
10"	10.750	-	-	-	9.874	0.413	5.91	9.665	0.512	7.24	9.551	0.556	7.96	9.410	0.632	8.83
12"	12.750	-	-	-	11.711	0.490	8.31	11.463	0.607	10.19	11.327	0.671	11.20	11.160	0.750	12.43
14"	14.000	-	-	-	12.859	0.538	10.02	12.586	0.667	12.28	12.438	0.737	13.50	12.253	0.824	14.98
16"	16.000	-	-	-	14.696	0.615	13.09	14.385	0.762	16.04	14.215	0.842	17.63	14.005	0.941	19.57
18"	18.000	-	-	-	16.533	0.692	16.57	16.183	0.857	20.30	15.992	0.947	22.32	15.755	1.059	24.77
20"	20.000	18.695	0.615	16.50	18.370	0.769	20.45	17.982	0.952	25.07	17.768	1.053	27.55	17.507	1.176	30.58
22"	22.000	20.565	0.677	19.97	20.206	0.846	24.75	19.778	1.048	30.33	19.545	1.158	33.34	19.257	1.294	37.00
24"	24.000	22.434	0.738	23.76	22.043	0.923	29.45	21.577	1.143	36.10	21.322	1.263	39.67	21.007	1.412	44.03
26"	26.000	24.304	0.800	27.89	23.880	1.000	34.57	23.375	1.238	42.36	23.099	1.368	46.56	22.758	1.529	51.67
28"	28.000	26.174	0.862	32.34	25.717	1.077	40.09	25.173	1.333	49.13	24.876	1.474	54.00	24.508	1.647	59.93
30"	30.000	28.043	0.923	37.13	27.554	1.154	46.02	26.971	1.429	56.40	26.653	1.579	61.99	26.259	1.765	68.80
32"	32.000	29.913	0.985	42.24	29.391	1.231	52.36	28.770	1.524	64.17	28.429	1.684	70.53	28.009	1.882	78.28
36"	36.000	33.652	1.108	53.46	33.065	1.385	66.27	32.366	1.714	81.21	31.983	1.895	89.26	31.511	2.118	99.07

Size		DR 13.5 CLASS 160 WPR @ 160psi			DR 11 CLASS 200 WPR @ 200psi			DR 9 CLASS 250 WPR @ 250psi			DR 7 CLASS 335 WPR @ 335psi					
IPS Pipe Size	Pipe OD (in)	Avg ID (in)	Min Wall (in)	Weight (lbs/ft)	Avg ID (in)	Min Wall (in)	Weight (lbs/ft)	Avg ID (in)	Min Wall (in)	Weight (lbs/ft)	Avg ID (in)	Min Wall (in)	Weight (lbs/ft)			
2"	2.375	2.002	0.176	0.53	1.917	0.216	0.64	1.815	0.264	0.77	1.656	0.339	0.95			
3"	3.500	2.951	0.259	1.16	2.826	0.318	1.39	2.675	0.389	1.66	2.440	0.500	2.06			
4"	4.500	3.794	0.333	1.92	3.633	0.409	2.31	3.440	0.500	2.75	3.137	0.643	3.40			
5"	5.563	4.690	0.412	2.93	4.490	0.506	3.52	4.253	0.618	4.20	3.877	0.795	5.20			
6"	6.625	5.584	0.491	4.15	5.349	0.602	5.00	5.065	0.736	5.96	4.619	0.946	7.37			
8"	8.625	7.270	0.639	7.04	6.963	0.784	8.47	6.594	0.958	10.11	6.013	1.232	12.50			
10"	10.750	9.062	0.796	10.93	8.679	0.977	13.16	8.219	1.194	15.70	7.494	1.536	19.42			
12"	12.750	10.749	0.944	15.38	10.293	1.159	18.51	9.746	1.417	22.08	8.889	1.821	27.31			
14"	14.000	11.802	1.037	18.54	11.301	1.273	22.32	10.701	1.556	26.63	9.760	2.000	32.93			
16"	16.000	13.488	1.185	24.22	12.915	1.455	29.15	12.231	1.778	34.78	11.154	2.286	43.01			
18"	18.000	15.174	1.333	30.65	14.532	1.636	36.89	13.760	2.000	44.02	12.549	2.571	54.43			
20"	20.000	16.860	1.481	37.84	16.146	1.818	45.54	15.289	2.222	54.34	13.943	2.857	67.20			
22"	22.000	18.544	1.630	45.79	17.760	2.000	55.10	16.819	2.444	65.75	15.337	3.143	81.32			
24"	24.000	20.231	1.778	54.49	19.374	2.182	65.58	18.346	2.667	78.25	16.731	3.429	96.77			
26"	26.000	21.917	1.926	63.95	20.989	2.364	76.96	19.876	2.889	91.84	-	-	-			
28"	28.000	23.603	2.074	74.17	22.604	2.545	89.26	21.404	3.111	106.51	-	-	-			
30"	30.000	25.289	2.222	85.14	24.218	2.727	102.47	22.933	3.333	122.27	-	-	-			
32"	32.000	26.975	2.370	96.87	25.833	2.909	116.58	24.462	3.556	139.12	-	-	-			
36"	36.000	30.347	2.667	122.60	29.062	3.273	147.55	-	-	-	-	-	-			

Pressure Ratings are calculated using 0.63 design factor for HDS at 73° F as listed in PPI TR-4 for PE 4710 materials. Temperature, chemical and environmental use considerations may require use of additional design factors. Pipe weights are calculated in accordance with PPI-7 TR-7. Average inside diameter is calculated with nominal OD and minimum wall thickness plus 6%. Actual ID's will vary and are controlled by the dimensions and tolerances listed in the applicable pipe specification. PER AWWA C906 the working pressure rating equals the pressure class, with an allowance included in the WPR for pressure surge. The pressure and surge design basis for polyethylene pipe is different from the PVC and DI pipe design basis.

The Long-Term Hydrostatic Strength of PE4710 Polyethylene Pipe is 1600 psi at 73.4° F. All pipe sizes with the same DR and Long-Term Hydrostatic Strength will have equal operating pressure capability.

$$DR = \frac{\text{Pipe OD (in)}}{\text{Min. Wall Thickness (in)}}$$













Section 1

HDPE Piping System

Iron Pipe Size



IPS HDPE Butt Fusion Fittings

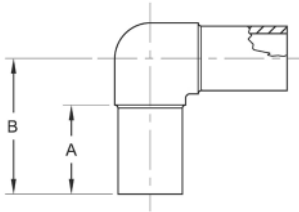
IPS HDPE Butt Fusion Fittings		Page
	90° Elbows	7
	45° Elbows	13
	22.5° Elbows	19
	Tees	22
	Reducing Tees	25
	Reducers	31
	End Caps	35
	Fabricated Cross	39
	Lateral Wyes	41
	Waterstops	43
	U-Bends	45

90° Elbows



90° Butt Elbow
PE4710
IPS, DR7

- Approval: ASTM D2513
- Approval: ASTM D3261
- Approval: AWWA C906
- Approval: NSF-61

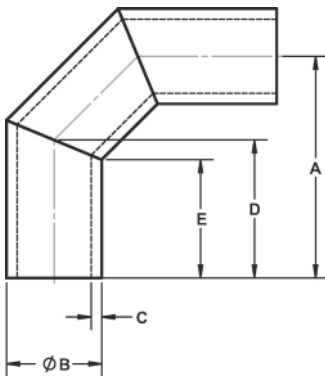


Size (inch)	GF weight Code	(lb)	A (inch)	B (inch)	Box Qty
2	360 003 514	0.8	2.81	4.50	10
3	360 019 890	1.9	3.00	5.13	10
4	360 019 897	3.7	3.00	5.75	10
6	360 019 901	10.8	4.38	9.18	2
8	360 019 905	25.0	6.00	12.00	2



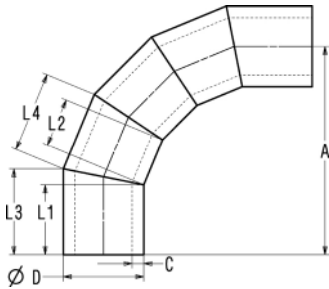
90° Elbow Fabricated 3-Segment IPS, DR7

- Approval: NSF-61
 - Approval: AWWA C906
- Please call for more information on pricing, availability, other sizes and dimensions.



Size (inch)	SDR	Code	A (inch)	B (inch)	C (inch)	D (inch)	E (inch)	Weight (lb)
10	7	360 016 042	15.10	10.75	1.54	8.70	6.50	40.39
12	7	360 016 081	18.10	12.75	1.82	10.60	8.00	68.59

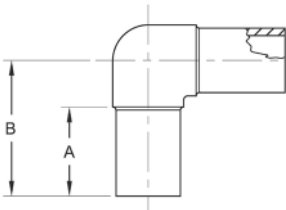
90° Elbow Fabricated 5-Segment IPS, DR7



- Approval: NSF-61
 - Approval: AWWA C906
- Please call for more information on pricing, availability, other sizes and dimensions.

Size (inch)	SDR	Code	D (inch)	L1 (inch)	L2 (inch)	L3 (inch)	L4 (inch)	A (inch)	C (inch)	Weight (lb)
3	7	360 015 875	3.50	4.00	4.60	4.70	6.00	15.00	0.50	3.97
4	7	360 015 911	4.50	6.00	4.60	6.90	6.40	17.50	0.64	7.85
6	7	360 015 962	6.63	6.00	5.00	7.30	7.60	19.40	0.95	18.72
8	7	360 016 005	8.63	6.50	4.70	8.20	8.10	20.20	1.23	33.28
10	7	360 016 043	10.75	6.50	4.60	8.60	8.90	21.20	1.54	54.21
12	7	360 016 082	12.75	8.00	5.10	10.50	10.10	24.60	1.82	88.88
14	7	360 016 118	14.00	8.00	5.60	10.80	11.20	26.20	2.00	113.73
16	7	360 016 154	16.00	8.00	6.40	11.20	12.70	28.80	2.29	162.09
18	7	360 016 188	18.00	8.00	7.20	11.60	14.30	31.40	2.57	222.20
24	7	360 016 292	24.00	8.00	9.60	12.80	19.10	39.20	3.43	485.94

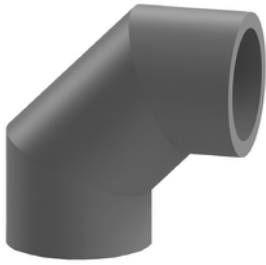
**90° Butt Elbow
PE4710
IPS, DR9**



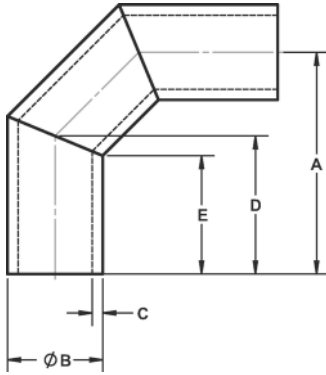
- Approval: ASTM D2513
- Approval: ASTM D3261
- Approval: AWWA C906
- Approval: FM1613 CL250 (indicated with *)
- Approval: NSF-61

Size (inch)	GF Code	weight (lb)	FM	A (inch)	B (inch)	Box Qty
¾	360 000 230	0.2		2.63	4.00	100
1	360 000 236	0.2		2.63	4.00	100
1 ¼	360 000 239	0.3		2.63	4.00	100
1 ½	360 000 243	0.4		2.63	4.00	80
2	360 000 020	0.7		2.81	4.50	10
3	360 000 021	2.1		3.00	5.13	10
4	360 000 281	3.6	*	3.00	5.75	10
6	360 000 295	10.0	*	4.38	9.00	2
8	360 000 309	24.0	*	6.00	12.00	2
10	360 000 255	43.5	*	6.00	13.25	1
12	360 000 266	63.0	*	7.50	15.88	1

90° Elbow Fabricated 3-Segment IPS, DR9



- Approval: NSF-61
 - Approval: AWWA C906
- Please call for more information on pricing, availability, other sizes and dimensions.

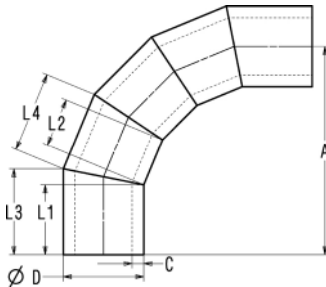


Size (inch)	SDR	Code	A (inch)	B (inch)	C (inch)	D (inch)	E (inch)	Weight (lb)
8	9	360 016 006	13.30	8.63	0.96	8.30	6.50	18.80
10	9	360 004 471	15.10	10.75	1.19	8.70	6.50	32.57
12	9	360 016 083	18.10	12.75	1.42	10.60	8.00	55.34
14	9	360 016 119	17.30	14.00	1.56	10.90	8.00	64.68
16	9	360 016 155	18.80	16.00	1.78	11.30	8.00	90.81
18	9	360 016 189	19.90	18.00	2.00	11.70	8.00	120.97
20	9	360 016 225	21.20	20.00	2.22	12.10	8.00	158.13
22	9	360 016 258	22.50	22.00	2.44	12.60	8.00	202.01
24	9	360 016 293	23.80	24.00	2.67	13.00	8.00	253.76

90° Elbow Fabricated 5-Segment IPS, DR9



- Approval: NSF-61
 - Approval: AWWA C906
- Please call for more information on pricing, availability, other sizes and dimensions.

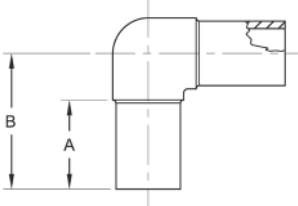


Size (inch)	SDR	Code	D (inch)	L1 (inch)	L2 (inch)	L3 (inch)	L4 (inch)	A (inch)	C (inch)	Weight (lb)
3	9	360 015 876	3.50	4.00	4.60	4.70	6.00	15.00	0.39	3.20
4	9	360 015 914	4.50	6.00	4.60	6.90	6.40	17.50	0.50	6.33
6	9	360 015 964	6.63	6.00	5.00	7.30	7.60	19.40	0.74	15.10
8	9	360 016 007	8.63	6.50	4.70	8.20	8.10	20.20	0.96	26.84
10	9	360 016 044	10.75	6.50	4.60	8.60	8.90	21.20	1.19	43.70
12	9	360 016 084	12.75	8.00	5.10	10.50	10.10	24.60	1.42	71.72
14	9	360 016 120	14.00	8.00	5.60	10.80	11.20	26.20	1.56	91.76
16	9	360 016 156	16.00	8.00	6.40	11.20	12.70	28.80	1.78	130.74
18	9	360 016 190	18.00	8.00	7.20	11.60	14.30	31.40	2.00	179.25
20	9	360 016 226	20.00	8.00	8.00	12.00	15.90	34.00	2.22	238.19
24	9	360 016 294	24.00	8.00	9.60	12.80	19.10	39.20	2.67	391.95



90° Butt Elbow
PE4710
IPS, DR11

- Approval: ASTM D2513
- Approval: ASTM D3261
- Approval: AWWA C906
- Approval: FM1613 CL 200 (indicated with *)
- Approval: NSF-61

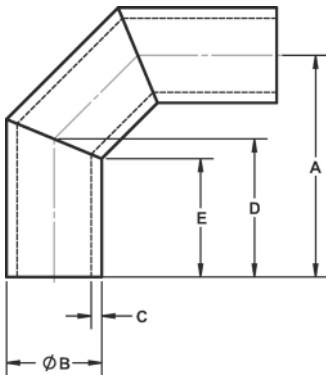


Size (inch)	GF Code	weight (lb)	FM	A (inch)	B (inch)	Box Qty
¾	360 000 228	0.1		1.75	3.06	100
1	360 000 234	0.1		1.75	3.19	100
1 ¼	360 000 238	0.3		1.80	3.38	100
1 ½	360 000 241	0.3		2.33	4.02	40
2	360 000 040	0.7		2.52	4.68	10
3	360 000 041	1.6		3.12	5.63	10
4	360 029 251	3.2	*	3.87	6.90	10
6	360 000 043	7.8	*	4.64	9.18	2
8	360 000 044	17.2	*	6.33	11.95	2
10	360 000 045	35.8	*	6.00	13.25	1
12	360 000 046	59.7	*	7.50	15.88	1



90° Elbow Fabricated 3-Segment IPS, DR11

- Approval: NSF-61
 - Approval: AWWA C906
- Please call for more information on pricing, availability, other sizes and dimensions.

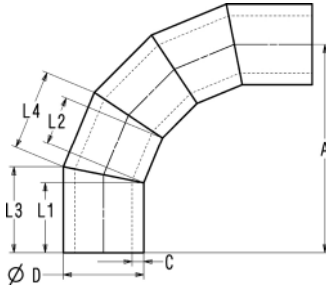


Size (inch)	SDR	Code	A (inch)	B (inch)	C (inch)	D (inch)	E (inch)	Weight (lb)
6	11	360 015 966	12.30	6.63	0.60	7.40	6.00	8.48
8	11	360 016 009	13.30	8.63	0.78	8.30	6.50	15.74
10	11	360 016 046	15.10	10.75	0.98	8.70	6.50	27.25
12	11	360 016 085	18.10	12.75	1.16	10.60	8.00	46.30
14	11	360 016 121	17.30	14.00	1.27	10.90	8.00	54.12
16	11	360 016 157	18.80	16.00	1.46	11.31	8.00	76.00
18	11	360 016 191	19.90	18.00	1.64	11.73	8.00	101.20
20	11	360 016 227	21.20	20.00	1.82	12.14	8.00	132.32
22	11	360 016 260	22.50	22.00	2.00	12.56	8.00	169.07
24	11	360 016 295	23.80	24.00	2.18	12.97	8.00	212.33

90° Elbow Fabricated 5-Segment IPS, DR11



- Approval: NSF-61
 - Approval: AWWA C906
- Please call for more information on pricing, availability, other sizes and dimensions.

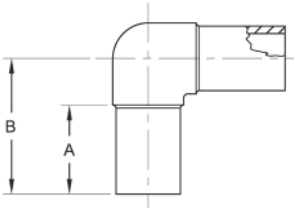


Size (inch)	SDR	Code	D (inch)	L1 (inch)	L2 (inch)	L3 (inch)	L4 (inch)	A (inch)	C (inch)	Weight (lb)
3	11	360 015 878	3.50	4.00	4.60	4.70	6.00	15.00	0.32	2.68
4	11	360 015 917	4.60	6.00	4.60	6.90	6.40	17.50	0.41	5.30
6	11	360 015 967	6.63	6.00	5.00	7.30	7.60	19.40	0.60	12.63
8	11	360 016 010	8.63	6.50	4.70	8.20	8.10	20.20	0.78	22.46
10	11	360 016 047	10.75	6.50	4.60	8.60	8.90	21.20	0.98	36.57
12	11	360 016 086	12.75	8.00	5.10	10.50	10.10	24.60	1.16	60.00
14	11	360 016 122	14.00	8.00	5.60	10.80	11.20	26.20	1.27	76.78
16	11	360 016 158	16.00	8.00	6.40	11.20	12.70	28.80	1.46	109.42
18	11	360 016 192	18.00	8.00	7.20	11.60	14.30	31.40	1.64	149.96
20	11	360 016 228	20.00	8.00	8.00	12.00	15.90	34.00	1.82	199.31

90° Butt Elbow PE4710 IPS, DR17

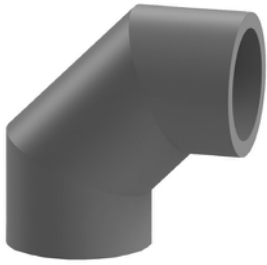


- Approval: ASTM D2513
- Approval: ASTM D3261
- Approval: AWWA C906
- Approval: NSF-61

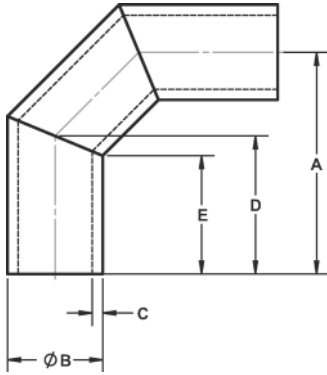


Size (inch)	GF Code	weight (lb)	A (inch)	B (inch)	Box Qty
2	360 000 268	0.5	2.81	4.68	10
3	360 000 271	1.5	3.16	5.99	10
4	360 029 250	3.4	3.57	6.87	10
6	360 000 289	7.3	4.64	9.18	2
8	360 000 304	16.0	6.33	11.95	2
10	360 000 252	33.0	6.00	13.25	1
12	360 000 263	52.0	7.50	15.88	1

90° Elbow Fabricated 3-Segment IPS, DR17



- Approval: NSF-61
 - Approval: AWWA C906
- Please call for more information on pricing, availability, other sizes and dimensions.

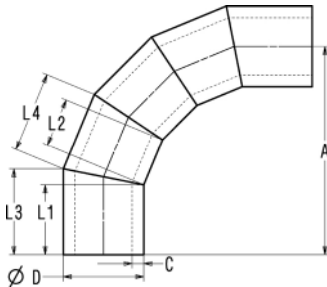


Size (inch)	SDR	Code	A (inch)	B (inch)	C (inch)	D (inch)	E (inch)	Weight (lb)
4	17	360 031 863	10.92	4.50	0.27	6.93	6.00	2.77
6	17	360 015 970	12.30	6.63	0.39	7.40	6.00	5.69
8	17	360 016 013	13.30	8.63	0.51	8.30	6.50	10.54
10	17	360 016 049	15.10	10.75	0.63	8.70	6.50	18.25
12	17	360 016 088	18.10	12.75	0.75	10.60	8.00	31.02
14	17	360 016 124	17.30	14.00	0.82	10.90	8.00	36.27
16	17	360 016 159	18.80	16.00	0.94	11.31	8.00	50.89
18	17	360 016 193	19.90	18.00	1.06	11.73	8.00	67.82
20	17	360 029 350	21.20	20.00	1.18	12.10	8.00	88.61
22	17	360 016 262	22.50	22.00	1.29	12.56	8.00	113.25
24	17	360 016 297	23.80	24.00	1.41	12.97	8.00	142.25

90° Elbow Fabricated 5-Segment IPS, DR17



- Approval: NSF-61
 - Approval: AWWA C906
- Please call for more information on pricing, availability, other sizes and dimensions.



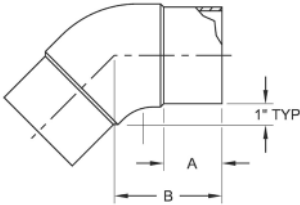
Size (inch)	SDR	Code	D (inch)	L1 (inch)	L2 (inch)	L3 (inch)	L4 (inch)	A (inch)	C (inch)	Weight (lb)
6	17	360 015 971	6.63	6.00	5.00	7.30	7.60	19.40	0.39	8.47
8	17	360 016 014	8.63	6.50	4.70	8.20	8.10	20.20	0.51	15.04
10	17	360 016 050	10.75	6.50	4.60	8.60	8.90	21.20	0.63	24.49
12	17	360 016 089	12.75	8.00	5.10	10.50	10.10	24.60	0.75	40.19
14	17	360 016 125	14.00	8.00	5.60	10.80	11.20	26.20	0.82	51.45
16	17	360 016 160	16.00	8.00	6.40	11.20	12.70	28.80	0.94	73.26
18	17	360 016 194	18.00	8.00	7.20	11.60	14.30	31.40	1.06	100.49
20	17	360 016 230	20.00	8.00	8.00	12.00	15.90	34.00	1.18	133.48
22	17	360 061 648	22.00	8.00	8.69	12.38	17.50	36.57	1.29	196.46
24	17	360 016 298	24.00	8.00	9.60	12.80	19.10	39.20	1.41	219.72

45° Elbows



45° Butt Elbow PE4710 IPS, DR7

- Approval: ASTM D2513
 - Approval: ASTM D3261
 - Approval: AWWA C906
 - Approval: NSF-61
- Please call for more information on pricing, availability, other sizes and dimensions.
- Call for availability of other sizes and dimensions.

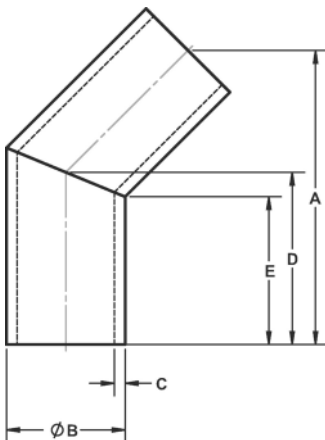


Size (inch)	GF weight Code	(lb)	A (inch)	B (inch)	Box Qty
2	360 000 187	1.3	2.40	4.20	10
3	360 019 860	1.8	3.00	5.00	10
4	360 019 864	3.3	3.00	5.00	10
6	360 019 866	9.0	4.38	7.00	2
8	360 019 871	23.8	6.00	11.00	2



45° Elbow Fabricated 2-Segment IPS, DR7

- Approval: NSF-61
 - Approval: AWWA C906
- Please call for more information on pricing, availability, other sizes and dimensions.



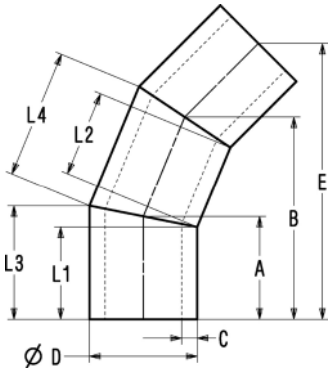
Size (inch)	SDR	Code	A (inch)	B (inch)	C (inch)	D (inch)	E (inch)	Weight (lb)
6	7	360 015 942	12.60	6.63	0.95	7.40	6.00	8.55
8	7	360 015 987	14.20	8.63	1.23	8.30	6.50	16.31
10	7	360 016 027	14.90	10.75	1.54	8.70	6.50	26.69
12	7	360 016 064	18.20	12.75	1.82	10.60	8.00	45.75
14	7	360 016 112	18.61	14.00	2.00	10.90	8.00	56.53
16	7	360 016 139	19.30	16.00	2.29	11.30	8.00	76.60
18	7	360 016 182	20.20	18.00	2.57	11.73	8.00	100.55
20	7	360 016 208	20.70	20.00	2.86	12.10	8.00	128.45
22	7	360 016 242	21.40	22.00	3.14	12.60	8.00	160.81
24	7	360 016 277	22.10	24.00	3.43	13.00	8.00	197.64

45° Elbow Fabricated 3-Segment IPS, DR7

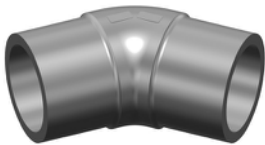


- Approval: NSF-61
 - Approval: AWWA C906
- Please call for more information on pricing, availability, other sizes and dimensions.

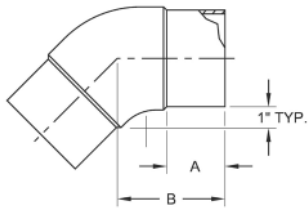
Size (inch)	SDR	Code	D (inch)	L1 (inch)	L2 (inch)	L3 (inch)	L4 (inch)	A (inch)	B (inch)	E (inch)	C (inch)	Weight (lb)
12	7	360 016 065	12.75	8.00	5.10	10.50	10.10	9.30	16.30	22.80	1.82	56.22
14	7	360 016 104	14.00	8.00	5.60	10.80	11.10	9.40	17.10	23.70	2.00	70.37
16	7	360 016 140	16.00	8.00	6.40	11.20	12.70	9.60	18.40	25.20	2.29	97.30
18	7	360 016 185	18.00	8.00	7.10	11.60	14.30	9.79	19.68	26.60	2.57	144.00
20	7	360 016 209	20.00	8.00	8.00	12.00	15.90	10.00	21.00	28.10	2.86	168.95
24	7	360 016 278	24.00	8.00	9.50	12.80	19.10	10.40	23.60	31.00	3.43	267.49



**45° Butt Elbow
PE4710
IPS, DR9**



- Approval: ASTM D2513
- Approval: ASTM D3261
- Approval: AWWA C906
- Approval: FM1613 CL250 (indicated with *)
- Approval: NSF-61



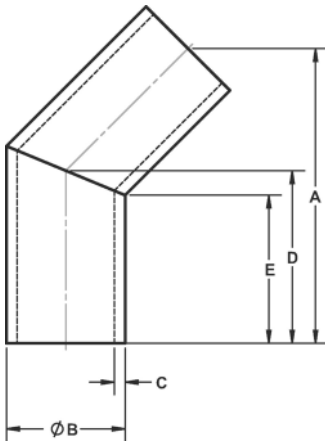
Size (inch)	GF weight Code	FM (lb)	A (inch)	B (inch)	Box Qty	
3	360 000 019	1.8	3.13	5.00	10	
4	360 000 203	2.8	*	3.00	5.00	10
6	360 000 216	7.4	*	4.38	7.00	2
8	360 000 227	24.0	*	6.00	11.00	2
10	360 000 175	43.0	*	6.00	13.25	1
12	3600000186	68.0	*	7.50	15.75	1

45° Elbow Fabricated 2-Segment IPS, DR9



- Approval: NSF-61
 - Approval: AWWA C906
- Please call for more information on pricing, availability, other sizes and dimensions.

Size (inch)	SDR	Code	A (inch)	B (inch)	C (inch)	D (inch)	E (inch)	Weight (lb)
8	9	360 015 989	14.20	8.63	0.96	8.30	6.50	13.15
10	9	360 016 029	14.90	10.75	1.19	8.70	6.50	21.52
12	9	360 016 066	18.20	12.75	1.42	10.60	8.00	36.91
14	9	360 016 105	18.60	14.00	1.56	10.90	8.00	45.59
16	9	360 016 141	19.30	16.00	1.78	11.30	8.00	61.78
18	9	360 016 175	20.00	18.00	2.00	11.70	8.00	81.09
20	9	360 016 210	20.70	20.00	2.22	12.10	8.00	103.60
22	9	360 016 244	21.40	22.00	2.44	12.60	8.00	129.68
24	9	360 016 279	22.10	24.00	2.67	13.00	8.00	159.42

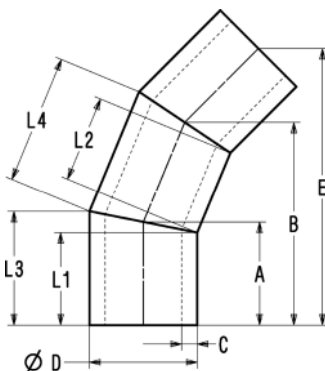


45° Elbow Fabricated 3-Segment IPS, DR9



- Approval: NSF-61
 - Approval: AWWA C906
- Please call for more information on pricing, availability, other sizes and dimensions.

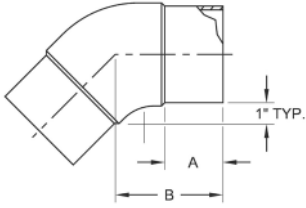
Size (inch)	SDR	Code	D (inch)	L1 (inch)	L2 (inch)	L3 (inch)	L4 (inch)	A (inch)	B (inch)	E (inch)	C (inch)	Weight (lb)
8	9	360 015 990	8.63	6.50	4.70	8.20	8.10	7.40	13.20	18.40	0.96	16.74
10	9	360 016 030	10.75	6.50	4.60	8.60	8.90	7.60	13.80	19.20	1.19	27.00
12	9	360 016 067	12.75	8.00	5.10	10.50	10.10	9.30	16.30	22.80	1.42	45.37
14	9	360 016 106	14.00	8.00	5.60	10.80	11.10	9.40	17.10	23.70	1.56	56.77
16	9	360 016 142	16.00	8.00	6.40	11.20	12.70	9.60	18.40	25.20	1.78	78.48
18	9	360 016 176	18.00	8.00	7.20	11.60	14.30	9.80	19.70	26.60	2.00	104.85
20	9	360 016 211	20.00	8.00	8.00	12.00	15.90	10.00	21.00	28.10	2.22	136.27
24	9	360 016 280	24.00	8.00	9.50	12.80	19.10	10.40	23.60	31.00	2.67	215.76





45° Butt Elbow
PE4710
IPS, DR11

- Approval: ASTM D2513
- Approval: ASTM D3261
- Approval: AWWA C906
- Approval: FM1613 CL 200 (indicated with *)
- Approval: NSF-61



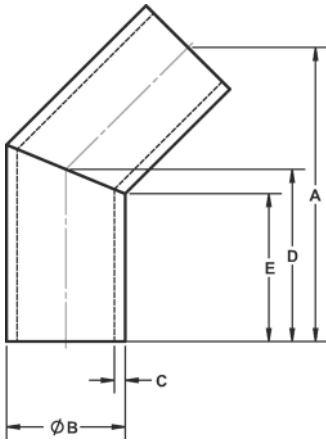
Size (inch)	GF weight Code	FM (lb)	A (inch)	B (inch)	Box Qty
2	360 004 409	0.4	2.42	3.81	10
3	360 029 267	1.5	3.13	5.00	10
4	360 029 039	3.0	*	5.00	10
6	360 028 266	8.6	*	7.00	2
8	360 019 868	18.6	*	11.00	2
10	360 000 052	41.5	*	13.25	1
12	360 000 178	60.0	*	15.75	1

45° Elbow Fabricated 2-Segment IPS, DR11

- Approval: NSF-61
 - Approval: AWWA C906
- Please call for more information on pricing, availability, other sizes and dimensions.



Size (inch)	SDR	Code	A (inch)	B (inch)	C (inch)	D (inch)	E (inch)	Weight (lb)
6	11	360 015 947	12.60	6.63	0.60	7.40	6.00	5.77
8	11	360 015 992	14.20	8.63	0.78	8.30	6.50	11.01
10	11	360 016 032	14.90	10.75	0.98	8.70	6.50	18.01
12	11	360 016 068	18.20	12.75	1.16	10.60	8.00	30.88
14	11	360 016 107	18.61	14.00	1.27	10.90	8.00	38.15
16	11	360 016 143	19.31	16.00	1.46	11.31	8.00	51.71
18	11	360 016 177	20.02	18.00	1.64	11.73	8.00	67.84
20	11	360 016 212	20.72	20.00	1.82	12.14	8.00	86.69
22	11	360 016 246	21.44	22.00	2.00	12.56	8.00	108.53
24	11	360 016 281	22.14	24.00	2.18	12.97	8.00	133.39

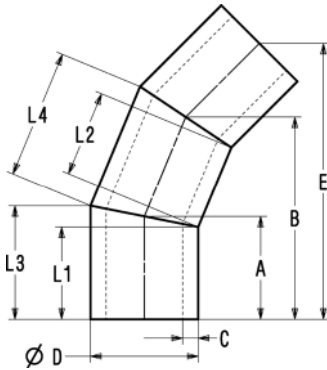


45° Elbow Fabricated 3-Segment IPS, DR11

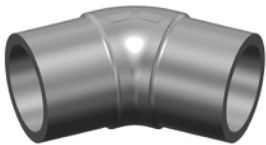


- Approval: NSF-61
 - Approval: AWWA C906
- Please call for more information on pricing, availability, other sizes and dimensions.

Size (inch)	SDR	Code	D (inch)	L1 (inch)	L2 (inch)	L3 (inch)	L4 (inch)	A (inch)	B (inch)	E (inch)	C (inch)	Weight (lb)
3	11	360 015 870	3.50	4.00	4.60	4.70	6.00	4.30	9.20	12.30	0.32	1.53
4	11	360 015 897	4.50	6.00	4.60	6.90	6.40	6.40	11.50	16.10	0.41	3.32
6	11	360 015 948	6.63	6.00	5.00	7.30	7.60	6.70	12.50	17.20	0.60	7.69
8	11	360 015 993	8.63	6.50	4.70	8.20	8.10	7.40	13.20	18.40	0.78	14.01
10	11	360 016 033	10.75	6.50	4.60	8.60	8.90	7.60	13.80	19.20	0.98	22.60
12	11	360 016 069	12.75	8.00	5.10	10.50	10.10	9.30	16.30	22.80	1.16	37.95
14	11	360 016 108	14.00	8.00	5.60	10.80	11.10	9.40	17.10	23.70	1.27	47.50
16	11	360 016 144	16.00	8.00	6.40	11.20	12.70	9.60	18.40	25.20	1.46	65.69
18	11	360 016 178	18.00	8.00	7.20	11.60	14.30	9.80	19.70	26.60	1.64	87.72
20	11	360 016 213	20.00	8.00	8.00	12.00	15.90	10.00	21.00	28.10	1.82	114.03
22	11	360 061 881	22.00	8.00	8.70	12.40	17.50	10.19	22.29	29.50	2.00	152.09
24	11	360 016 282	24.00	8.00	9.50	12.80	19.10	10.40	23.60	31.00	2.18	180.53

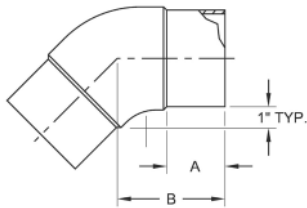


45° Butt Elbow PE4710 IPS, DR17



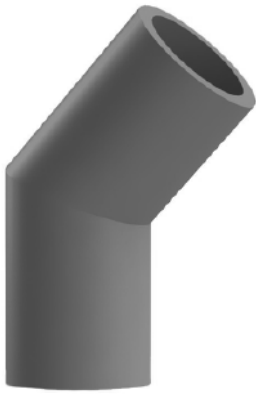
- Approval: ASTM D3261
- Approval: AWWA C906
- Approval: NSF-61
- Approval: ASTM D2513

Size (inch)	GF weight Code	(lb)	A (inch)	B (inch)	Box Qty
2	360 019 854	0.4	2.42	3.81	10
3	360 044 940	1.0	3.13	5.00	10
4	360 029 042	2.5	3.00	5.00	10
6	360 029 044	8.0	4.38	7.00	2
8	360 028 219	17.7	6.00	11.00	2
10	360 000 173	38.0	6.00	13.25	1
12	360 000 184	59.0	7.50	15.75	1

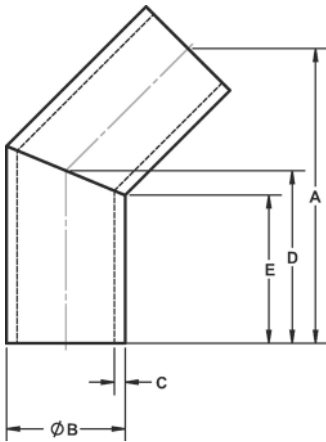


45° Elbow Fabricated 2-Segment IPS, DR17

- Approval: NSF-61
 - Approval: AWWA C906
- Please call for more information on pricing, availability, other sizes and dimensions.



Size (inch)	SDR	Code	A (inch)	B (inch)	C (inch)	D (inch)	E (inch)	Weight (lb)
8	17	360 015 995	14.20	8.63	0.51	8.30	6.50	7.37
10	17	360 016 035	14.90	10.75	0.63	8.70	6.50	12.06
12	17	360 016 071	18.20	12.75	0.75	10.60	8.00	20.69
14	17	360 016 109	18.61	14.00	0.82	10.90	8.00	25.57
16	17	360 016 145	19.31	16.00	0.94	11.31	8.00	34.62
18	17	360 016 179	20.02	18.00	1.06	11.73	8.00	45.46
20	17	360 016 214	20.72	20.00	1.18	12.14	8.00	58.06
22	17	360 016 248	21.44	22.00	1.29	12.56	8.00	72.70
24	17	360 016 283	22.14	24.00	1.41	12.97	8.00	89.37

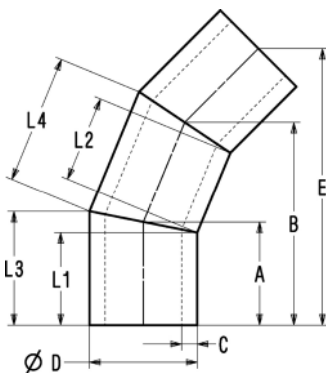


45° Elbow Fabricated 3-Segment IPS, DR17

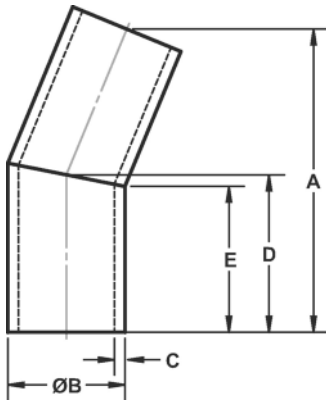
- Approval: NSF-61
 - Approval: AWWA C906
- Please call for more information on pricing, availability, other sizes and dimensions.



Size (inch)	SDR	Code	D (inch)	L1 (inch)	L2 (inch)	L3 (inch)	L4 (inch)	A (inch)	B (inch)	E (inch)	C (inch)	Weight (lb)
4	17	360 015 900	4.50	6.00	4.60	6.90	6.40	6.40	11.50	16.10	0.27	2.23
6	17	360 015 951	6.63	6.00	5.00	7.30	7.60	6.70	12.50	17.20	0.39	5.16
8	17	360 015 996	8.63	6.50	4.70	8.20	8.10	7.40	13.20	18.40	0.51	9.38
10	17	360 016 036	10.75	6.50	4.60	8.60	8.90	7.60	13.80	19.20	0.63	15.13
12	17	360 016 072	12.75	8.00	5.10	10.50	10.10	9.30	16.30	22.80	0.75	25.42
14	17	360 016 110	14.00	8.00	5.60	10.80	11.10	9.40	17.10	23.70	0.82	31.83
16	17	360 016 146	16.00	8.00	6.40	11.20	12.70	9.60	18.40	25.20	0.94	43.98
18	17	360 016 180	18.00	8.00	7.20	11.60	14.30	9.80	19.70	26.60	1.06	58.79
20	17	360 016 215	20.00	8.00	8.00	12.00	15.90	10.00	21.00	28.10	1.18	76.36
24	17	360 016 284	24.00	8.00	9.50	12.80	19.10	10.40	23.60	31.00	1.41	120.95



22.5° Elbows



22.5° Butt Elbow Fabricated IPS, DR7

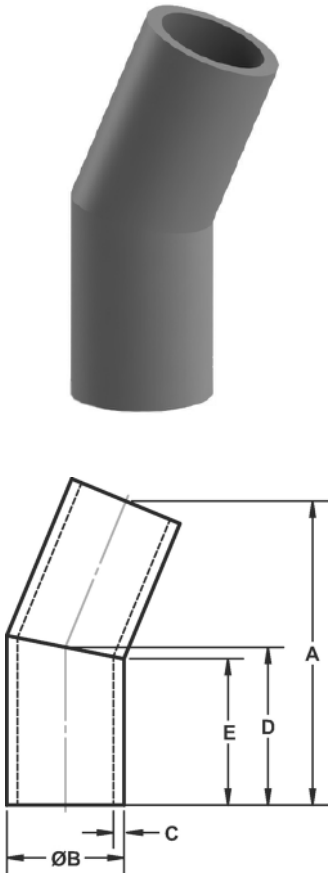
- Approval: NSF-61
- Approval: AWWA C906

Please call for more information on pricing, availability, other sizes and dimensions.

Size (inch)	SDR	Code	A (inch)	B (inch)	C (inch)	D (inch)	E (inch)	Weight (lb)
2	7	360 015 843	8.15	2.38	0.34	4.24	4.0	0.63
3	7	360 015 863	8.37	3.50	0.50	4.35	4.0	1.41
4	7	360 015 884	12.40	4.50	0.64	6.45	6.0	3.46
6	7	360 015 936	12.81	6.63	0.95	6.66	6.0	7.73
8	7	360 015 980	14.16	8.63	1.23	7.36	6.5	14.48
10	7	360 016 021	14.56	10.75	1.54	7.57	6.5	23.14
12	7	360 016 057	17.83	12.75	1.82	9.27	8.0	39.86
14	7	360 016 096	18.07	14.00	2.00	9.39	8.0	48.68
16	7	360 016 132	18.45	16.00	2.29	9.59	8.0	64.95
18	7	360 016 167	18.83	18.00	2.57	9.79	8.0	83.90
20	7	360 016 201	19.22	20.00	2.86	9.99	8.0	105.70
22	7	360 016 236	19.60	22.00	3.14	10.19	8.0	130.47
24	7	360 016 270	19.98	24.00	3.43	10.39	8.0	158.33

22.5° Elbow Fabricated IPS, DR9

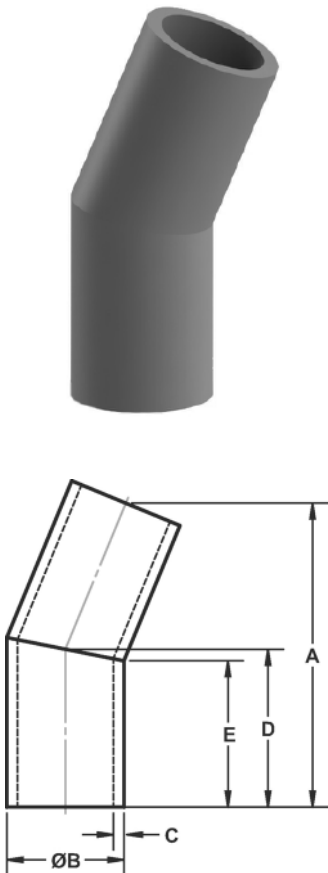
- Approval: NSF-61
 - Approval: AWWA C906
- Please call for more information on pricing, availability, other sizes and dimensions.



Size (inch)	SDR	Code	A (inch)	B (inch)	C (inch)	D (inch)	E (inch)	Weight (lb)
2	9	360 015 844	8.15	2.38	0.26	4.24	4.0	0.51
3	9	360 015 864	8.37	3.50	0.39	4.35	4.0	1.14
4	9	360 015 885	12.41	4.50	0.50	6.45	6.0	2.79
6	9	360 015 937	12.81	6.63	0.74	6.66	6.0	6.24
8	9	360 015 981	14.16	8.63	0.96	7.36	7.0	11.68
10	9	360 016 022	14.56	10.75	1.19	7.57	7.0	18.66
12	9	360 016 058	17.83	12.75	1.42	9.27	8.0	32.16
14	9	360 016 097	18.07	14.00	1.56	9.39	8.0	39.28
16	9	360 016 133	18.45	16.00	1.78	9.59	8.0	52.39
18	9	360 016 168	18.83	18.00	2.00	9.79	8.0	67.68
20	9	360 016 202	19.22	20.00	2.22	9.99	8.0	85.25
22	9	360 016 237	19.60	22.00	2.44	10.19	8.0	105.21
24	9	360 016 271	19.98	24.00	2.67	10.39	8.0	127.71

22.5° Elbow Fabricated IPS, DR11

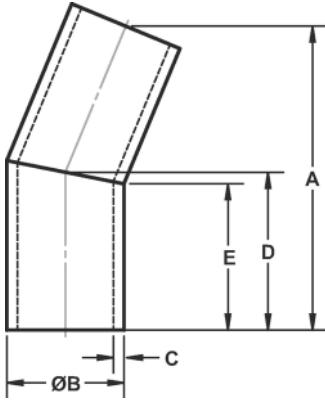
- Approval: NSF-61
 - Approval: AWWA C906
- Please call for more information on pricing, availability, other sizes and dimensions.



Size (inch)	SDR	Code	A (inch)	B (inch)	C (inch)	D (inch)	E (inch)	Weight (lb)
2	11	360 015 845	8.15	2.38	0.22	4.24	4.0	0.43
3	11	360 015 865	8.37	3.50	0.32	4.35	4.0	0.95
4	11	360 015 886	12.40	4.50	0.41	6.45	6.0	2.33
6	11	360 015 938	12.81	6.63	0.60	6.66	6.0	5.22
8	11	360 015 982	14.16	8.63	0.78	7.36	6.5	9.77
10	11	360 016 023	14.56	10.75	0.98	7.57	6.5	15.61
12	11	360 016 059	17.83	12.75	1.16	9.27	8.0	26.90
14	11	360 016 098	18.07	14.00	1.27	9.39	8.0	32.87
16	11	360 016 134	18.45	16.00	1.46	9.59	8.0	43.84
18	11	360 016 171	18.84	18.00	1.64	9.79	8.0	56.62
20	11	360 016 203	19.22	20.00	1.82	9.99	8.0	71.34
22	11	360 016 238	19.60	22.00	2.00	10.19	8.0	88.05
24	11	360 016 272	19.99	24.00	2.18	10.39	8.0	106.86

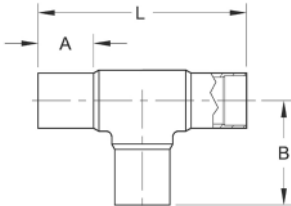
22.5° Elbow Fabricated IPS, DR17

- Approval: NSF-61
 - Approval: AWWA C906
- Please call for more information on pricing, availability, other sizes and dimensions.



Size (inch)	SDR	Code	A (inch)	B (inch)	C (inch)	D (inch)	E (inch)	Weight (lb)
2	17	360 015 846	8.16	2.38	0.14	4.24	4.0	0.29
3	17	360 015 866	8.37	3.50	0.21	4.35	4.0	0.64
4	17	360 015 887	12.40	4.50	0.27	6.45	6.0	1.56
6	17	360 015 939	12.81	6.63	0.39	6.66	6.0	3.50
8	17	360 015 983	14.16	8.63	0.51	7.36	6.5	6.54
10	17	360 016 024	14.56	10.75	0.63	7.57	6.5	10.46
12	17	360 016 060	17.83	12.75	0.75	9.27	8.0	18.02
14	17	360 016 099	18.07	14.00	0.82	9.39	8.0	22.02
16	17	360 016 135	18.45	16.00	0.94	9.59	8.0	29.36
18	17	360 016 170	18.84	18.00	1.06	9.79	8.0	37.94
20	17	360 016 204	19.22	20.00	1.18	9.99	8.0	47.78
22	17	360 016 239	19.60	22.00	1.29	10.19	8.0	58.98
24	17	360 016 273	19.98	24.00	1.41	10.39	8.0	71.59

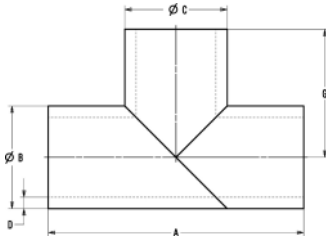
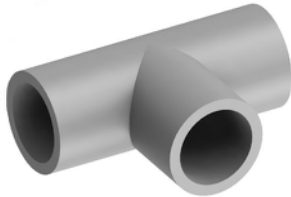
Tees



Butt Tee PE4710 IPS, DR7

- Approval: ASTM D2513
- Approval: ASTM D3261
- Approval: AWWA C906
- Approval: NSF-61

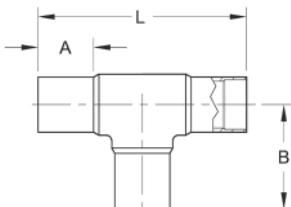
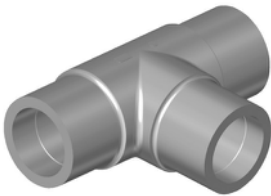
Size (inch)	GF weight Code	(lb)	A (inch)	B (inch)	L (inch)	Box Qty
2	360 020 015	1.1	2.54	4.61	9.28	10
3	360 020 019	2.7	3.16	5.99	11.98	10
4	360 020 025	4.6	3.34	6.86	13.73	10
6	360 020 030	15.2	4.89	9.00	18.00	1
8	360 020 036	34.9	6.19	12.00	24.00	1



Tee Fabricated IPS, DR7

- Approval: NSF-61
 - Approval: AWWA C906
- Please call for more information on pricing, availability, other sizes and dimensions.

Size (inch)	SDR	Code	A (inch)	B (inch)	C (inch)	D (inch)	G (inch)	Weight (lb)
8	7	360 017 226	24.60	8.63	8.63	1.23	12.31	31.64
10	7	360 017 236	26.80	10.75	10.75	1.54	12.31	52.42
12	7	360 017 245	28.80	12.75	12.75	1.82	12.31	77.90
14	7	360 017 252	32.00	14.00	14.00	2.00	12.31	104.48



Butt Tee PE4710 IPS, DR9

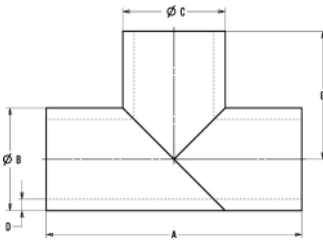
- Approval: ASTM D2513
- Approval: ASTM D3261
- Approval: AWWA C906
- Approval: FM1613 CL250 (indicated with *)
- Approval: NSF-61

Size (inch)	GF weight Code	(lb)	FM	A (inch)	B (inch)	L (inch)	Box Qty
1 ½	360 000 490	0.6		2.30	4.25	8.50	40
2	360 000 038	0.9		2.83	4.73	9.38	10
3	360 000 523	2.3		2.90	5.13	10.26	10
4	360 000 534	4.4	*	3.05	6.00	11.65	10
6	360 000 547	15.1	*	4.38	9.00	18.00	1
8	360 000 560	34.1	*	6.19	12.00	24.00	1
10	360 000 501	59.0	*	6.00	13.25	26.50	1
12	360 000 513	91.0	*	7.50	15.88	31.75	1

Tee Fabricated IPS, DR9



- Approval: NSF-61
 - Approval: AWWA C906
- Please call for more information on pricing, availability, other sizes and dimensions.

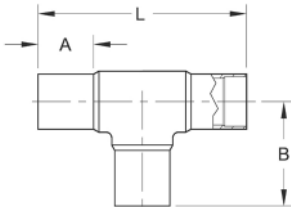


Size (inch)	SDR	Code	A (inch)	B (inch)	C (inch)	D (inch)	G (inch)	Weight (lb)
4	9	360 017 205	16.50	4.50	4.50	0.50	8.35	4.80
6	9	360 017 216	18.60	6.63	6.63	0.74	9.31	11.30
8	9	360 017 227	24.60	8.63	8.63	0.96	12.31	25.39
10	9	360 017 237	26.80	10.75	10.75	1.19	13.38	42.02
12	9	360 017 246	28.80	12.75	12.75	1.42	14.38	62.37
14	9	360 017 253	32.00	14.00	14.00	1.56	16.00	83.76
16	9	360 017 260	34.00	16.00	16.00	1.78	17.00	114.47
18	9	360 017 267	38.00	18.00	18.00	2.00	19.00	161.68
20	9	360 017 274	40.00	20.00	20.00	2.22	20.00	207.53
24	9	360 017 287	48.00	24.00	24.00	2.67	24.00	358.69

**Butt Tee
PE4710
IPS, DR11**

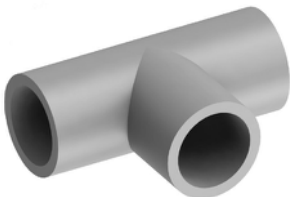


- Approval: ASTM D2513
- Approval: ASTM D3261
- Approval: AWWA C906
- Approval: FM1613 CL 200 (indicated with *)
- Approval: NSF-61

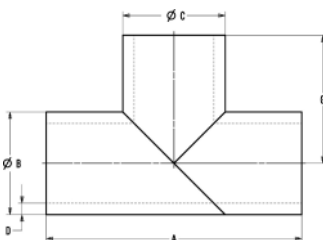


Size (inch)	GF Code	weight (lb)	FM	A (inch)	B (inch)	L (inch)	Box Qty
3/4	360 000 477	0.1		1.75	3.06	6.12	50
1	360 000 482	0.2		1.75	3.19	6.38	100
1 1/4	360 000 486	0.4		1.88	3.38	6.76	50
1 1/2	360 000 487	0.4		2.30	4.25	8.50	40
2	360 000 514	0.9		2.54	4.61	9.28	10
3	360 000 519	2.2		3.16	5.99	11.98	10
4	360 029 052	4.8	*	3.34	6.86	13.73	8
6	360 000 538	10.5	*	4.89	9.00	18.00	1
8	360 000 551	29.9	*	6.19	12.00	24.00	1
10	360 000 053	50.0	*	6.00	13.25	26.50	1
12	360 000 504	77.0	*	7.50	15.88	31.75	1

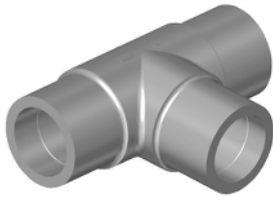
Tee Fabricated IPS, DR11



- Approval: NSF-61
 - Approval: AWWA C906
- Please call for more information on pricing, availability, other sizes and dimensions.

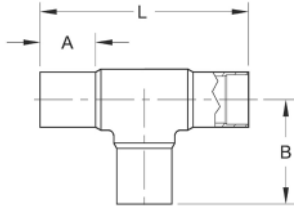


Size (inch)	SDR	Code	A (inch)	B (inch)	C (inch)	D (inch)	G (inch)	Weight (lb)
6	11	360 017 218	18.60	6.63	6.63	0.60	9.31	9.42
8	11	360 017 229	24.60	8.63	8.63	0.78	12.31	21.18
10	11	360 017 239	26.80	10.75	10.75	0.98	13.38	35.03
12	11	360 017 247	28.80	12.75	12.75	1.16	14.38	51.96
14	11	360 017 254	32.00	14.00	14.00	1.27	16.00	69.79
16	11	360 017 261	34.00	16.00	16.00	1.46	17.00	95.37
18	11	360 017 268	38.00	18.00	18.00	1.64	19.00	134.64
20	11	360 017 275	40.00	20.00	20.00	1.82	20.00	172.81
22	11	360 017 282	46.00	22.00	22.00	2.00	23.00	242.99
24	11	360 017 288	48.00	24.00	24.00	2.18	24.00	298.67

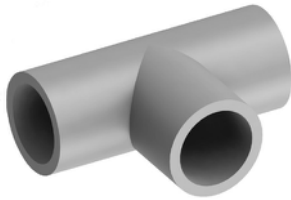


**Butt Tee
PE4710
IPS, DR17**

- Approval: ASTM D2513
- Approval: ASTM D3261
- Approval: AWWA C906
- Approval: NSF-61

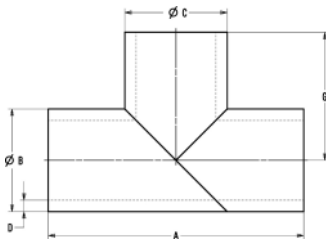


Size (inch)	GF Code	weight (lb)	A (inch)	B (inch)	L (inch)	Box Qty
1 1/2	360 000 489	0.4	2.30	4.25	8.50	40
2	360 000 517	1.0	2.81	4.61	9.28	10
3	360 000 521	2.1	3.16	6.00	11.98	10
4	360 029 305	4.4	3.96	6.86	14.60	8
6	360 000 542	13.5	4.89	9.00	18.00	1
8	360 000 555	23.0	6.19	12.00	24.00	1
10	360 000 499	46.5	6.00	13.25	26.50	1
12	360 000 510	71.0	7.50	15.88	31.75	1



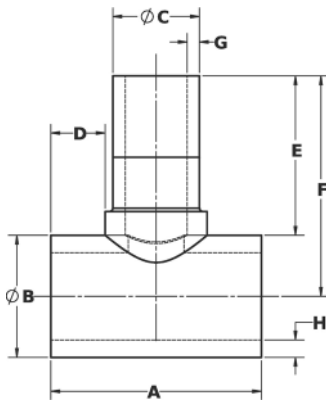
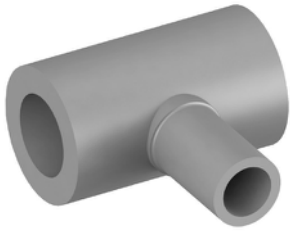
Tee Fabricated IPS, DR17

- Approval: NSF-61
 - Approval: AWWA C906
- Please call for more information on pricing, availability, other sizes and dimensions.



Size (inch)	SDR	Code	A (inch)	B (inch)	C (inch)	D (inch)	G (inch)	Weight (lb)
8	17	360 017 231	24.60	8.63	8.63	0.51	12.31	14.11
10	17	360 017 241	26.80	10.75	1.75	0.63	13.38	23.32
12	17	360 017 248	28.80	12.75	12.75	0.75	14.38	34.57
14	17	360 017 255	32.00	14.00	14.00	0.82	16.00	46.45
16	17	360 017 262	34.00	16.00	16.00	0.94	17.00	63.39
18	17	360 017 269	38.00	18.00	18.00	1.06	19.00	89.56
20	17	360 017 276	40.00	20.00	20.00	1.18	20.00	114.81
22	17	360 017 283	46.00	22.00	22.00	1.29	23.00	161.54
24	17	360 017 289	48.00	24.00	24.00	1.41	24.00	198.49

Reducing Tees



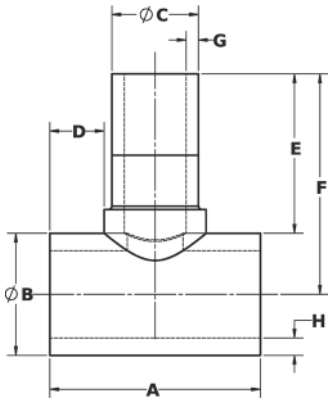
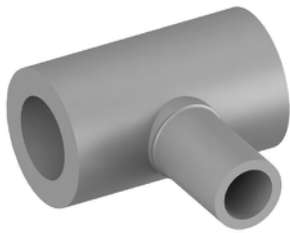
Butt Reduced Tee Fabricated IPS, DR7

- Approval: NSF-61
- Approval: AWWA C906

Please call for more information on pricing, availability, other sizes and dimensions.

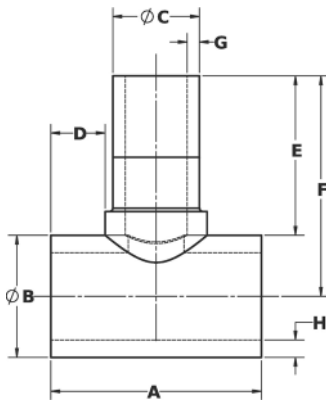
Size (inch)	SDR	Code	A (inch)	B (inch)	C (inch)	D (inch)	E (inch)	F (inch)	G (inch)	H (inch)
4 x 2	7	360 061 241	18.00	4.50	2.38	6.00	10.00	12.25	0.339	0.643
6 x 2	7	360 029 015	18.00	6.63	2.38	7.25	10.00	13.31	0.339	0.946
6 x 3	7	360 018 869	18.00	6.63	3.50	6.75	10.00	13.31	0.500	0.946
6 x 4	7	360 029 016	18.63	6.63	4.50	6.00	10.75	14.06	0.643	0.946
8 x 2	7	360 061 920	19.50	8.63	2.38	8.00	10.00	14.31	0.339	1.232
8 x 3	7	360 062 265	20.50	8.63	3.50	8.00	10.25	14.56	0.500	1.232
8 x 4	7	360 029 018	22.63	8.63	4.50	8.00	10.75	15.06	0.643	1.232
10 x 3	7	360 061 779	20.50	10.75	3.50	8.00	10.50	15.88	0.500	1.536
10 x 4	7	360 061 224	22.63	10.75	4.50	8.00	10.75	16.13	0.643	1.536
10 x 6	7	360 028 505	24.63	10.75	6.63	8.00	11.25	16.63	0.946	1.536
12 x 3	7	360 062 266	20.50	12.75	3.50	8.00	10.75	17.13	0.500	1.821
12 x 4	7	360 060 099	22.63	12.75	4.50	8.00	11.00	17.38	0.643	1.821
12 x 6	7	360 019 267	24.63	12.75	6.63	8.00	11.50	17.88	0.946	1.821
12 x 8	7	360 018 952	26.75	12.75	8.63	8.00	19.75	26.13	1.232	1.821
14 x 3	7	360 062 267	20.50	14.00	3.50	8.00	11.00	18.00	0.500	2.000
14 x 4	7	360 062 268	22.63	14.00	4.50	8.00	11.00	18.00	0.643	2.000
14 x 6	7	360 062 269	24.63	14.00	6.63	8.00	11.50	18.50	0.946	2.000
14 x 8	7	360 019 336	26.75	14.00	8.63	8.00	20.00	27.00	1.232	2.000
16 x 8	7	360 062 271	26.75	16.00	8.63	8.00	20.25	28.25	1.232	2.286
16 x 10	7	360 032 125	28.75	16.00	10.75	8.00	21.00	29.00	1.536	2.286
18 x 3	7	360 062 273	20.50	18.00	3.50	8.00	11.50	20.50	0.500	2.571
18 x 4	7	360 062 274	22.63	18.00	4.50	8.00	11.25	20.25	0.643	2.571
18 x 6	7	360 062 275	24.63	18.00	6.63	8.00	12.00	21.00	0.946	2.571
18 x 8	7	360 062 276	26.75	18.00	8.63	8.00	20.50	29.50	1.232	2.571
20 x 3	7	360 062 278	20.50	20.00	3.50	8.00	11.50	21.50	0.500	2.857
20 x 4	7	360 032 126	22.63	20.00	4.50	8.00	11.25	21.25	0.643	2.857
20 x 6	7	360 019 099	24.63	20.00	6.63	8.00	12.25	22.25	0.946	2.857
20 x 8	7	360 019 105	26.75	20.00	8.63	8.00	20.75	30.75	1.232	2.857
22 x 3	7	360 062 280	20.50	22.00	3.50	8.00	11.75	22.75	0.500	3.143
22 x 4	7	360 062 281	22.63	22.00	4.50	8.00	11.50	22.50	0.643	3.143
22 x 6	7	360 062 282	24.63	22.00	6.63	8.00	12.50	23.50	0.946	3.143
22 x 8	7	360 061 877	26.75	22.00	8.63	8.00	21.00	32.00	1.232	3.143
24 x 3	7	360 062 284	20.50	24.00	3.50	8.00	12.00	24.00	0.500	3.429
24 x 4	7	360 062 285	22.63	24.00	4.50	8.00	11.50	23.50	0.643	3.429
24 x 6	7	360 028 754	24.63	24.00	6.63	8.00	12.75	24.75	0.946	3.429
24 x 8	7	360 061 300	26.75	24.00	8.63	8.00	21.25	33.25	1.232	3.429

Branch Saddle Butt Reduced Tee PE4710 IPS, DR9



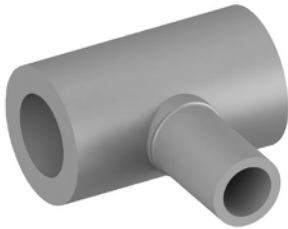
- Approval: NSF-61
 - Approval: AWWA C906
- Please call for more information on pricing, availability, other sizes and dimensions.

Size (inch)	SDR	Code	A (inch)	B (inch)	C (inch)	D (inch)	E (inch)	F (inch)	G (inch)	H (inch)
3 x 2	9	360 018 847	10.30	3.50	2.38	3.00	12.75	14.50	0.264	0.389
4 x 2	9	360 018 852	18.00	4.50	2.38	7.25	10.00	12.25	0.264	0.500
6 x 2	9	360 018 863	18.00	6.63	2.38	7.25	10.00	13.31	0.264	0.736
6 x 3	9	360 018 870	18.00	6.63	3.50	6.80	10.00	13.31	0.389	0.736
6 x 4	9	360 018 876	18.63	6.63	4.50	6.00	10.75	14.06	0.500	0.736
8 x 2	9	360 018 882	19.50	8.63	2.38	8.00	10.00	14.31	0.264	0.958
8 x 3	9	360 018 887	20.50	8.63	3.50	8.00	10.25	14.56	0.389	0.958
8 x 4	9	360 018 893	22.63	8.63	4.50	8.00	10.75	15.06	0.500	0.958
10 x 3	9	360 018 908	20.50	10.75	3.50	8.00	10.50	15.88	0.389	1.194
10 x 4	9	360 018 914	22.63	10.75	4.50	8.00	10.75	16.13	0.500	1.194
10 x 6	9	360 018 919	24.63	10.75	6.63	8.00	11.25	16.63	0.736	1.194
12 x 3	9	360 018 934	20.50	12.75	3.50	8.00	10.75	17.13	0.389	1.417
12 x 4	9	360 018 940	22.63	12.75	4.50	8.00	10.75	17.13	0.500	1.417
12 x 6	9	360 018 946	24.63	12.75	6.63	8.00	11.25	17.63	0.736	1.417
12 x 8	9	360 018 953	26.75	12.75	8.63	8.00	19.75	26.13	0.958	1.417
14 x 3	9	360 018 970	20.50	14.00	3.50	8.00	10.75	17.75	0.389	1.556
14 x 4	9	360 018 975	22.63	14.00	4.50	8.00	11.00	18.00	0.500	1.556
14 x 6	9	360 018 980	24.63	14.00	6.63	8.00	11.50	18.50	0.736	1.556
14 x 8	9	360 018 985	26.75	14.00	8.63	8.00	19.75	26.75	0.958	1.556
16 x 8	9	360 019 023	26.75	16.00	8.63	8.00	20.00	28.00	0.958	1.778
16 x 10	9	360 019 028	28.75	16.00	10.75	8.00	20.75	28.75	1.194	1.778
18 x 3	9	360 019 047	20.50	18.00	3.50	8.00	11.25	20.25	0.389	2.000
18 x 4	9	360 019 052	22.63	18.00	4.50	8.00	11.25	20.25	0.500	2.000
18 x 6	9	360 019 057	24.63	18.00	6.63	8.00	11.75	20.75	0.736	2.000
18 x 8	9	360 019 062	26.75	18.00	8.63	8.00	20.25	29.25	0.958	2.000
18 x 10	9	360 019 067	28.75	18.00	10.75	8.00	21.00	30.00	1.194	2.000
18 x 12	9	360 061 366	31.00	18.00	12.75	8.00	23.25	32.25	1.417	2.000
20 x 3	9	360 019 089	20.50	20.00	3.50	8.00	11.50	21.50	0.389	2.222
20 x 4	9	360 019 094	22.63	20.00	4.50	8.00	11.25	21.25	0.500	2.222
20 x 6	9	360 019 100	24.63	20.00	6.63	8.00	12.00	22.00	0.736	2.222
20 x 8	9	360 019 106	26.75	20.00	8.63	8.00	20.50	30.50	0.958	2.222
22 x 3	9	360 019 133	20.50	22.00	3.50	8.00	11.75	22.75	0.389	2.444
22 x 4	9	360 019 138	22.63	22.00	4.50	8.00	11.50	22.50	0.500	2.444
22 x 6	9	360 019 143	24.63	22.00	6.63	8.00	12.25	23.25	0.736	2.444
22 x 8	9	360 019 148	26.75	22.00	8.63	8.00	20.75	31.75	0.958	2.444
24 x 2	9	360 019 172	19.50	24.00	2.38	8.00	10.75	22.75	0.264	2.667
24 x 3	9	360 019 176	20.50	24.00	3.50	8.00	11.75	23.75	0.389	2.667
24 x 4	9	360 019 181	22.63	24.00	4.50	8.00	11.50	23.50	0.500	2.667
24 x 6	9	360 019 187	24.63	24.00	6.63	8.00	12.50	24.50	0.736	2.667
24 x 8	9	360 019 193	26.75	24.00	8.63	8.00	21.00	33.00	0.958	2.667
24 x 10	9	360 019 200	28.75	24.00	10.75	8.00	22.00	34.00	1.194	2.667
24 x 14	9	360 019 213	32.00	24.00	14.00	8.00	27.50	39.50	1.556	2.667
24 x 16	9	360 019 215	34.00	24.00	16.00	8.00	29.25	41.25	1.778	2.667
26 x 3	9	360 062 287	24.50	26.00	3.50	10.00	12.00	25.00	0.389	2.889
26 x 4	9	360 062 288	26.63	26.00	4.50	10.00	11.50	24.50	0.500	2.889
26 x 6	9	360 060 489	28.63	26.00	6.63	10.00	12.75	25.75	0.736	2.889
26 x 8	9	360 060 324	30.75	26.00	8.63	10.00	21.25	34.25	0.958	2.889
26 x 10	9	360 060 328	32.75	26.00	10.75	10.00	22.50	35.50	1.194	2.889
26 x 12	9	360 062 289	35.00	26.00	12.75	10.00	24.75	37.75	1.417	2.889
26 x 14	9	360 062 290	36.00	26.00	14.00	10.00	27.75	40.75	1.556	2.889
26 x 16	9	360 060 327	38.00	26.00	16.00	10.00	29.75	42.75	1.778	2.889
26 x 18	9	360 062 291	40.00	26.00	18.00	10.00	30.25	43.25	2.000	2.889
28 x 2	9	360 062 293	23.50	28.00	2.38	10.00	11.00	25.00	0.264	3.111
28 x 3	9	360 062 294	24.50	28.00	3.50	10.00	12.25	26.25	0.389	3.111
28 x 4	9	360 062 295	26.63	28.00	4.50	10.00	11.75	25.75	0.500	3.111
28 x 6	9	360 062 296	28.63	28.00	6.63	10.00	12.75	26.75	0.736	3.111
28 x 8	9	360 062 297	30.75	28.00	8.63	10.00	21.50	35.50	0.958	3.111

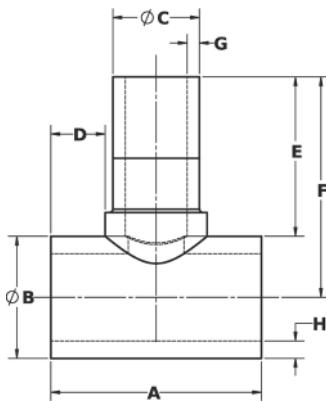


Size (inch)	SDR	Code	A (inch)	B (inch)	C (inch)	D (inch)	E (inch)	F (inch)	G (inch)	H (inch)
28 x 10	9	360 062 298	32.75	28.00	10.75	10.00	22.75	36.75	1.194	3.111
28 x 12	9	360 062 299	35.00	28.00	12.75	10.00	25.00	39.00	1.417	3.111
28 x 14	9	360 062 300	36.00	28.00	14.00	10.00	28.25	42.25	1.556	3.111
28 x 16	9	360 062 301	38.00	28.00	16.00	10.00	30.25	44.25	1.778	3.111
28 x 18	9	360 061 350	40.00	28.00	18.00	10.00	30.75	44.75	2.000	3.111
30 x 3	9	360 062 305	24.50	30.00	3.50	10.00	12.50	27.50	0.389	3.333
30 x 4	9	360 062 306	26.63	30.00	4.50	10.00	11.75	26.75	0.500	3.333
30 x 6	9	360 062 307	28.63	30.00	6.63	10.00	13.00	28.00	0.736	3.333
30 x 8	9	360 062 308	30.75	30.00	8.63	10.00	21.75	36.75	0.958	3.333
30 x 10	9	360 062 309	32.75	30.00	10.75	10.00	23.00	38.00	1.194	3.333
30 x 12	9	360 062 310	35.00	30.00	12.75	10.00	25.50	40.50	1.417	3.333
30 x 14	9	360 062 311	36.00	30.00	14.00	10.00	28.75	43.75	1.556	3.333
30 x 16	9	360 061 600	38.00	30.00	16.00	10.00	30.75	45.75	1.778	3.333
30 x 18	9	360 062 312	40.00	30.00	18.00	10.00	31.25	46.25	2.000	3.333
30 x 20	9	360 062 313	42.00	30.00	20.00	10.00	31.25	46.25	2.222	3.333
32 x 3	9	360 062 317	24.50	32.00	3.50	10.00	12.75	28.75	0.389	3.556
32 x 4	9	360 062 318	26.63	32.00	4.50	10.00	12.00	28.00	0.500	3.556
32 x 6	9	360 062 319	28.63	32.00	6.63	10.00	13.25	29.25	0.736	3.556
32 x 8	9	360 062 320	30.75	32.00	8.63	10.00	22.00	38.00	0.958	3.556
32 x 10	9	360 062 321	32.75	32.00	10.75	10.00	23.50	39.50	1.194	3.556
32 x 12	9	360 062 322	35.00	32.00	12.75	10.00	25.75	41.75	1.417	3.556
32 x 14	9	360 062 323	36.00	32.00	14.00	10.00	29.25	45.25	1.556	3.556
32 x 16	9	360 062 324	38.00	32.00	16.00	10.00	31.25	47.25	1.778	3.556
32 x 18	9	360 062 325	40.00	32.00	18.00	10.00	31.75	47.75	2.000	3.556
32 x 20	9	360 062 326	42.00	32.00	20.00	10.00	31.75	47.75	2.222	3.556

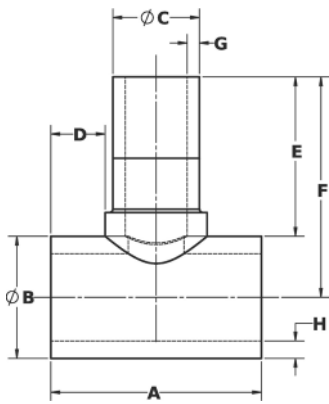
Branch Saddle Butt Reduced Tee PE4710 IPS, DR11



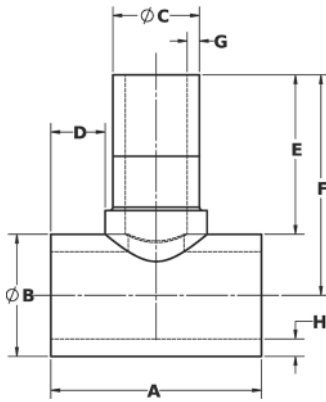
- Approval: NSF-61
 - Approval: AWWA C906
- Please call for more information on pricing, availability, other sizes and dimensions.



Size (inch)	SDR	Code	A (inch)	B (inch)	C (inch)	D (inch)	E (inch)	F (inch)	G (inch)	H (inch)
3 x 2	11	360 018 848	12.00	3.50	2.38	3.16	11.39	13.10	0.216	0.318
6 x 2	11	360 018 864	18.00	6.63	2.38	7.30	10.00	13.31	0.216	0.602
6 x 3	11	360 018 871	18.00	6.63	3.50	6.75	10.00	13.31	0.318	0.602
6 x 4	11	360 018 877	18.63	6.63	4.50	6.00	10.75	14.06	0.409	0.602
8 x 2	11	360 018 883	19.50	8.63	2.38	8.00	10.00	14.31	0.216	0.784
8 x 3	11	360 018 888	20.50	8.63	3.50	8.00	10.25	14.56	0.318	0.784
8 x 4	11	360 018 894	22.63	8.63	4.50	8.00	10.75	15.06	0.409	0.784
10 x 3	11	360 018 909	20.50	10.75	3.50	8.00	10.50	15.88	0.318	0.977
10 x 4	11	360 018 915	22.63	10.75	4.50	8.00	10.75	16.13	0.409	0.977
10 x 6	11	360 018 920	24.63	10.75	6.63	8.00	11.00	16.38	0.602	0.977
12 x 2	11	360 018 930	19.50	12.75	2.38	8.00	10.00	16.38	0.216	1.159
12 x 3	11	360 018 935	20.50	12.75	3.50	8.00	10.50	16.88	0.318	1.159
12 x 4	11	360 018 941	22.63	12.75	4.50	8.00	10.75	17.13	0.409	1.159
12 x 6	11	360 018 947	24.63	12.75	6.63	8.00	11.25	17.63	0.602	1.159
12 x 8	11	360 018 954	26.75	12.75	8.63	8.00	19.50	25.88	0.784	1.159
14 x 3	11	360 018 971	20.50	14.00	3.50	8.00	10.75	17.75	0.318	1.273
14 x 4	11	360 018 976	22.63	14.00	4.50	8.00	10.75	17.75	0.409	1.273
14 x 6	11	360 018 981	24.63	14.00	6.63	8.00	11.25	18.25	0.602	1.273
14 x 8	11	360 018 986	26.75	14.00	8.63	8.00	19.75	26.75	0.784	1.273
16 x 3	11	360 019 008	20.50	16.00	3.50	8.00	10.75	18.75	0.318	1.455
16 x 4	11	360 019 013	22.63	16.00	4.50	8.00	11.00	19.00	0.409	1.455
16 x 8	11	360 019 024	26.75	16.00	8.63	8.00	20.00	28.00	0.784	1.455
16 x 10	11	360 019 029	28.75	16.00	10.75	8.00	20.50	28.50	0.977	1.455
18 x 3	11	360 019 048	20.50	18.00	3.50	8.00	11.00	20.00	0.318	1.636
18 x 4	11	360 019 053	22.63	18.00	4.50	8.00	11.00	20.00	0.409	1.636
18 x 6	11	360 019 058	24.63	18.00	6.63	8.00	11.75	20.75	0.602	1.636
18 x 8	11	360 019 063	26.75	18.00	8.63	8.00	20.00	29.00	0.784	1.636

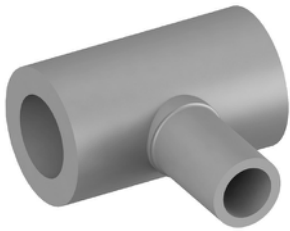


Size	SDR	Code	A	B	C	D	E	F	G	H
(inch)			(inch)	(inch)	(inch)	(inch)	(inch)	(inch)	(inch)	(inch)
18 x 10	11	360 019 068	28.75	18.00	10.75	8.00	20.75	29.75	0.977	1.636
18 x 12	11	360 019 073	31.00	18.00	12.75	8.00	23.00	32.00	1.159	1.636
20 x 3	11	360 019 090	20.50	20.00	3.50	8.00	11.25	21.25	0.318	1.818
20 x 4	11	360 019 095	22.63	20.00	4.50	8.00	11.25	21.25	0.409	1.818
20 x 6	11	360 019 101	24.63	20.00	6.63	8.00	12.00	22.00	0.602	1.818
20 x 8	11	360 019 107	26.75	20.00	8.63	8.00	20.25	30.25	0.784	1.818
22 x 3	11	360 019 134	20.50	22.00	3.50	8.00	11.50	22.50	0.318	2.000
22 x 4	11	360 019 139	22.63	22.00	4.50	8.00	11.25	22.25	0.409	2.000
22 x 6	11	360 019 144	24.63	22.00	6.63	8.00	12.00	23.00	0.602	2.000
22 x 8	11	360 019 149	26.75	22.00	8.63	8.00	20.50	31.50	0.784	2.000
24 x 3	11	360 019 177	20.50	24.00	3.50	8.00	11.50	23.50	0.318	2.182
24 x 4	11	360 019 182	22.63	24.00	4.50	8.00	11.50	23.50	0.409	2.182
24 x 6	11	360 019 188	24.63	24.00	6.63	8.00	12.25	24.25	0.602	2.182
24 x 8	11	360 019 194	26.75	24.00	8.63	8.00	20.75	32.75	0.784	2.182
24 x 10	11	360 019 201	28.75	24.00	10.75	8.00	21.75	33.75	0.977	2.182
24 x 14	11	360 019 214	32.00	24.00	14.00	8.00	18.00	30.00	1.273	2.182
24 x 16	11	360 019 216	34.00	24.00	16.00	8.00	18.50	30.50	1.455	2.182
26 x 3	11	360 061 780	24.50	26.00	3.50	10.00	11.75	24.75	0.318	2.364
26 x 4	11	360 061 781	26.63	26.00	4.50	10.00	11.50	24.50	0.409	2.364
26 x 6	11	360 061 782	28.63	26.00	6.63	10.00	12.50	25.50	0.602	2.364
26 x 8	11	360 061 783	30.75	26.00	8.63	10.00	21.00	34.00	0.784	2.364
26 x 10	11	360 061 784	32.75	26.00	10.75	10.00	22.00	35.00	0.977	2.364
26 x 12	11	360 061 785	35.00	26.00	12.75	10.00	24.25	37.25	1.159	2.364
26 x 14	11	360 061 786	36.00	26.00	14.00	10.00	27.25	40.25	1.273	2.364
26 x 16	11	360 019 224	38.00	26.00	16.00	10.00	29.00	42.00	1.455	2.364
26 x 18	11	360 061 787	40.00	26.00	18.00	10.00	29.00	42.00	1.636	2.364
28 x 3	11	360 061 790	24.50	28.00	3.50	10.00	12.00	26.00	0.318	2.545
28 x 4	11	360 061 791	26.63	28.00	4.50	10.00	11.50	25.50	0.409	2.545
28 x 6	11	360 061 792	28.63	28.00	6.63	10.00	12.50	26.50	0.602	2.545
28 x 8	11	360 061 793	30.75	28.00	8.63	10.00	21.25	35.25	0.784	2.545
28 x 10	11	360 061 794	32.75	28.00	10.75	10.00	22.25	36.25	0.977	2.545
28 x 12	11	360 028 774	35.00	28.00	12.75	10.00	24.50	38.50	1.159	2.545
28 x 14	11	360 061 795	36.00	28.00	14.00	10.00	27.75	41.75	1.273	2.545
28 x 16	11	360 061 796	38.00	28.00	16.00	10.00	29.50	43.50	1.455	2.545
28 x 18	11	360 028 775	40.00	28.00	18.00	10.00	29.50	43.50	1.636	2.545
30 x 3	11	360 061 799	24.50	30.00	3.50	10.00	12.25	27.25	0.318	2.727
30 x 4	11	360 061 800	26.63	30.00	4.50	10.00	11.75	26.75	0.409	2.727
30 x 6	11	360 061 801	28.63	30.00	6.63	10.00	12.75	27.75	0.602	2.727
30 x 8	11	360 019 229	30.75	30.00	8.63	10.00	21.50	36.50	0.784	2.727
30 x 10	11	360 061 802	32.75	30.00	10.75	10.00	22.50	37.50	0.977	2.727
30 x 12	11	360 019 231	35.00	30.00	12.75	10.00	25.00	40.00	1.159	2.727
30 x 14	11	360 061 061	36.00	30.00	14.00	10.00	28.00	43.00	1.273	2.727
30 x 16	11	360 019 234	38.00	30.00	16.00	10.00	29.75	44.75	1.455	2.727
30 x 18	11	360 061 803	40.00	30.00	18.00	10.00	29.75	44.75	1.636	2.727
30 x 20	11	360 029 346	42.00	30.00	20.00	10.00	29.75	44.75	1.818	2.727
32 x 3	11	360 061 806	24.50	32.00	3.50	10.00	12.25	28.25	0.318	2.909
32 x 4	11	360 061 807	26.63	32.00	4.50	10.00	11.75	27.75	0.409	2.909
32 x 6	11	360 061 808	28.63	32.00	6.63	10.00	13.00	29.00	0.602	2.909
32 x 8	11	360 061 809	30.75	32.00	8.63	10.00	21.75	37.00	0.784	2.909
32 x 10	11	360 061 810	32.75	32.00	10.75	10.00	23.00	39.00	0.977	2.909
32 x 12	11	360 061 811	35.00	32.00	12.75	10.00	25.25	41.25	1.159	2.909
32 x 14	11	360 061 812	36.00	32.00	14.00	10.00	28.50	44.50	1.273	2.909
32 x 16	11	360 060 925	38.00	32.00	16.00	10.00	30.25	46.25	1.455	2.909
32 x 18	11	360 061 813	40.00	32.00	18.00	10.00	30.25	46.25	1.636	2.909
32 x 20	11	360 061 814	42.00	32.00	20.00	10.00	30.25	46.25	1.818	2.909
36 x 3	11	360 019 298	24.50	36.00	3.50	10.00	12.75	30.75	0.318	3.273
36 x 4	11	360 019 238	26.63	36.00	4.50	10.00	12.00	30.00	0.409	3.273
36 x 6	11	360 019 239	28.63	36.00	6.63	10.00	13.25	31.25	0.602	3.273
36 x 8	11	360 019 241	30.75	36.00	8.63	10.00	22.00	40.00	0.784	3.273
36 x 12	11	360 019 244	35.00	36.00	12.75	10.00	29.25	41.50	0.977	3.273
36 x 10	11	360 019 243	32.75	36.00	10.75	10.00	23.50	43.75	1.159	3.273
36 x 14	11	360 061 819	36.00	36.00	14.00	10.00	29.25	47.25	1.273	3.273

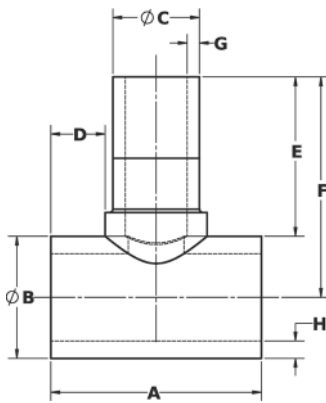


Size	SDR	Code	A	B	C	D	E	F	G	H
(inch)			(inch)	(inch)	(inch)	(inch)	(inch)	(inch)	(inch)	(inch)
36 x 16	11	360 019 246	38.00	36.00	16.00	10.00	31.25	49.25	1.455	3.273
36 x 18	11	360 061 821	40.00	36.00	18.00	10.00	31.25	49.25	1.636	3.273
36 x 20	11	360 019 248	42.00	36.00	20.00	10.00	31.25	49.25	1.818	3.273
36 x 24	11	360 019 249	46.00	36.00	24.00	10.00	31.25	50.25	2.182	3.273

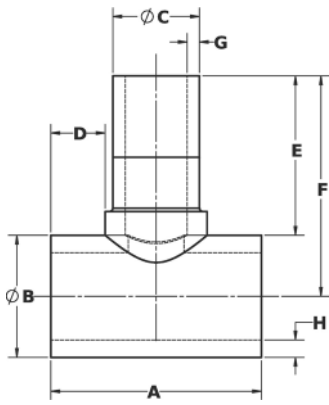
Branch Saddle Butt Reduced Tee PE4710 IPS, DR17



- Approval: NSF-61
 - Approval: AWWA C906
- Please call for more information on pricing, availability, other sizes and dimensions.

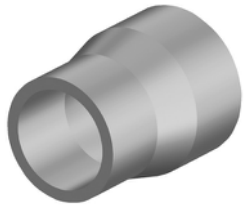


Size	SDR	Code	A	B	C	D	E	F	G	H
(inch)			(inch)	(inch)	(inch)	(inch)	(inch)	(inch)	(inch)	(inch)
4 x 2	17	360 018 854	18.00	4.50	2.38	7.30	10.00	12.25	0.140	0.265
6 x 3	17	360 019 283	18.00	6.63	3.50	6.00	10.00	13.31	0.206	0.390
8 x 3	17	360 018 889	20.50	8.63	3.50	8.00	10.00	14.31	0.206	0.507
8 x 4	17	360 061 669	22.63	8.62	4.50	8.00	10.75	15.06	0.265	0.507
10 x 3	17	360 018 910	20.50	10.75	3.50	8.00	10.25	15.63	0.206	0.632
10 x 4	17	360 018 916	22.63	10.75	4.50	8.00	10.75	16.13	0.265	0.632
10 x 6	17	360 060 097	24.63	10.75	6.63	8.00	10.75	16.13	0.390	0.632
12 x 3	17	360 018 936	20.50	12.75	3.50	8.00	10.25	16.63	0.206	0.750
12 x 4	17	360 018 942	22.63	12.75	4.50	8.00	10.75	17.13	0.265	0.750
12 x 6	17	360 018 948	24.63	12.75	6.63	8.00	11.00	17.38	0.390	0.750
12 x 8	17	360 018 955	26.75	12.75	8.63	8.00	19.25	25.63	0.507	0.750
14 x 3	17	360 061 673	20.50	14.00	3.50	8.00	10.25	17.25	0.206	0.824
14 x 4	17	360 061 674	22.63	14.00	4.50	8.00	10.75	17.75	0.265	0.824
14 x 6	17	360 028 095	24.63	14.00	6.63	8.00	11.00	18.00	0.390	0.824
14 x 8	17	360 028 094	26.75	14.00	8.63	8.00	19.25	26.25	0.507	0.824
16 x 3	17	360 061 469	20.50	16.00	3.50	8.00	10.50	18.50	0.206	0.941
16 x 4	17	360 019 014	22.63	16.00	4.50	8.00	10.75	18.75	0.265	0.941
16 x 6	17	360 028 623	24.63	16.00	6.63	8.00	11.25	19.25	0.390	0.941
16 x 8	17	360 028 989	26.75	16.00	8.63	8.00	19.50	27.50	0.507	0.941
16 x 10	17	360 019 030	28.75	16.00	10.75	8.00	20.00	28.00	0.632	0.941
18 x 3	17	360 061 679	20.50	18.00	3.50	8.00	10.75	19.75	0.206	1.059
18 x 4	17	360 061 493	22.63	18.00	4.50	8.00	10.75	19.75	0.265	1.059
18 x 6	17	360 028 662	24.63	18.00	6.63	8.00	11.25	20.25	0.390	1.059
18 x 8	17	360 028 666	26.75	18.00	8.63	8.00	19.50	28.50	0.507	1.059
18 x 10	17	360 061 159	28.75	18.00	10.75	8.00	20.25	29.25	0.632	1.059
18 x 12	17	360 061 318	31.00	18.00	12.75	8.00	22.25	31.25	0.750	1.059
20 x 3	17	360 032 056	20.50	20.00	3.50	8.00	10.75	20.75	0.206	1.176
20 x 4	17	360 061 682	22.63	20.00	4.50	8.00	11.00	21.00	0.265	1.176
20 x 6	17	360 061 683	24.63	20.00	6.63	8.00	11.50	21.50	0.390	1.176
20 x 8	17	360 028 698	26.75	20.00	8.63	8.00	19.75	29.75	0.507	1.176
20 x 10	17	360 019 113	28.75	20.00	10.75	8.00	20.50	30.50	0.632	1.176
20 x 12	17	360 019 119	31.00	20.00	12.75	8.00	22.50	32.50	0.750	1.176
20 x 14	17	360 028 140	32.00	20.00	14.00	8.00	16.00	26.00	0.824	1.176
22 x 3	17	360 061 685	20.50	22.00	3.50	8.00	11.00	22.00	0.206	1.294
22 x 4	17	360 061 686	22.63	22.00	4.50	8.00	11.00	22.00	0.265	1.294
22 x 6	17	360 061 687	24.63	22.00	6.63	8.00	11.50	22.50	0.390	1.294
22 x 8	17	360 019 150	26.75	22.00	8.63	8.00	20.00	31.00	0.507	1.294
22 x 10	17	360 061 728	28.75	22.00	10.75	8.00	20.50	31.50	0.632	1.294
22 x 12	17	360 061 729	31.00	22.00	12.75	8.00	22.75	33.75	0.750	1.294
22 x 14	17	360 061 730	32.00	22.00	14.00	8.00	25.25	36.25	0.824	1.294



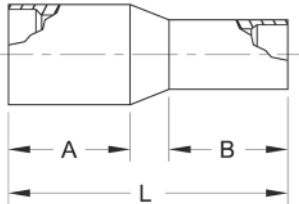
Size	SDR	Code	A	B	C	D	E	F	G	H
(inch)			(inch)	(inch)	(inch)	(inch)	(inch)	(inch)	(inch)	(inch)
24 x 3	17	360 061 690	20.50	24.00	3.50	8.00	11.00	23.00	0.206	1.412
24 x 4	17	360 019 183	22.63	24.00	4.50	8.00	11.00	23.00	0.265	1.412
24 x 6	17	360 061 691	24.63	24.00	6.63	8.00	11.75	23.75	0.390	1.412
24 x 8	17	360 019 195	26.75	24.00	8.63	8.00	20.00	32.00	0.507	1.412
24 x 10	17	360 019 202	28.75	24.00	10.75	8.00	20.75	32.75	0.632	1.412
24 x 12	17	360 019 208	31.00	24.00	12.75	8.00	23.00	35.00	0.750	1.412
24 x 14	17	360 061 732	32.00	24.00	14.00	8.00	25.50	37.50	0.824	1.412
24 x 16	17	360 060 340	34.00	24.00	16.00	8.00	26.50	38.50	0.941	1.412
26 x 3	17	360 061 695	24.50	26.00	3.50	10.00	11.25	24.25	0.206	1.529
26 x 4	17	360 061 696	26.63	26.00	4.50	10.00	11.25	24.25	0.265	1.529
26 x 6	17	360 061 697	28.63	26.00	6.63	10.00	11.75	24.25	0.390	1.529
26 x 8	17	360 061 698	30.75	26.00	8.63	10.00	20.25	33.25	0.507	1.529
26 x 10	17	360 028 763	32.75	26.00	10.75	10.00	21.00	34.00	0.632	1.529
26 x 12	17	360 061 699	35.00	26.00	12.75	10.00	23.25	36.25	0.750	1.529
26 x 14	17	360 061 733	36.00	26.00	14.00	10.00	26.00	39.00	0.824	1.529
26 x 16	17	360 061 734	38.00	26.00	16.00	10.00	27.00	40.00	0.941	1.529
26 x 18	17	360 061 735	40.00	26.00	18.00	10.00	27.00	40.00	1.059	1.529
28 x 3	17	360 061 738	24.50	28.00	3.50	10.00	11.25	25.25	0.206	1.647
28 x 4	17	360 061 702	26.63	28.00	4.50	10.00	11.25	25.25	0.265	1.647
28 x 6	17	360 061 703	28.63	28.00	6.63	10.00	12.00	26.00	0.390	1.647
28 x 8	17	360 061 704	30.75	28.00	8.63	10.00	20.50	34.50	0.507	1.647
28 x 10	17	360 061 705	32.75	28.00	10.75	10.00	21.25	35.25	0.632	1.647
28 x 12	17	360 061 706	35.00	28.00	12.75	10.00	23.50	37.50	0.750	1.647
28 x 14	17	360 061 707	36.00	28.00	14.00	10.00	26.25	40.25	0.824	1.647
28 x 16	17	360 061 708	38.00	28.00	16.00	10.00	27.25	41.25	0.941	1.647
28 x 18	17	360 032 104	40.00	28.00	18.00	10.00	27.25	41.25	1.059	1.647
30 x 3	17	360 061 742	24.50	30.00	3.50	10.00	11.50	26.50	0.206	1.765
30 x 4	17	360 061 743	26.63	30.00	4.50	10.00	11.25	26.25	0.265	1.765
30 x 6	17	360 019 228	28.63	30.00	6.63	10.00	12.00	27.00	0.390	1.765
30 x 8	17	360 061 744	30.75	30.00	8.63	10.00	20.50	35.50	0.507	1.765
30 x 10	17	360 019 230	32.75	30.00	10.75	10.00	21.50	36.50	0.632	1.765
30 x 12	17	360 019 232	35.00	30.00	12.75	10.00	23.75	38.75	0.750	1.765
30 x 14	17	360 061 745	36.00	30.00	14.00	10.00	26.50	41.50	0.824	1.765
30 x 16	17	360 061 746	38.00	30.00	16.00	10.00	27.50	42.50	0.941	1.765
30 x 18	17	360 061 747	40.00	30.00	18.00	10.00	27.50	42.50	1.059	1.765
30 x 20	17	360 028 142	42.00	30.00	20.00	10.00	27.50	42.50	1.176	1.765
32 x 3	17	360 061 709	24.50	32.00	3.50	10.00	11.50	27.50	0.206	1.882
32 x 4	17	360 061 710	26.63	32.00	4.50	10.00	11.50	27.50	0.265	1.882
32 x 6	17	360 029 011	28.63	32.00	6.63	10.00	12.25	28.25	0.390	1.882
32 x 8	17	360 029 012	30.75	32.00	8.63	10.00	20.75	36.75	0.507	1.882
32 x 10	17	360 061 711	32.75	32.00	10.75	10.00	21.75	37.75	0.632	1.882
32 x 12	17	360 061 712	35.00	32.00	12.75	10.00	24.00	40.00	0.750	1.882
32 x 14	17	360 061 750	36.00	32.00	14.00	10.00	26.75	42.75	0.824	1.882
32 x 16	17	360 061 751	38.00	32.00	16.00	10.00	27.75	43.75	0.941	1.882
32 x 18	17	360 061 752	40.00	32.00	18.00	10.00	27.75	43.75	1.059	1.882
32 x 20	17	360 061 753	42.00	32.00	20.00	10.00	27.75	43.75	1.176	1.882
36 x 3	17	360 061 714	24.50	36.00	3.50	10.00	12.00	30.00	0.206	2.118
36 x 4	17	360 061 715	26.63	36.00	4.50	10.00	11.50	29.50	0.265	2.118
36 x 6	17	360 019 240	28.63	36.00	6.63	10.00	12.50	30.50	0.390	2.118
36 x 8	17	360 019 242	30.75	36.00	8.63	10.00	21.00	39.00	0.507	2.118
36 x 10	17	360 061 716	32.75	36.00	10.75	10.00	22.25	40.25	0.632	2.118
36 x 12	17	360 019 245	35.00	36.00	12.75	10.00	24.50	42.50	0.750	2.118
36 x 14	17	360 061 717	36.00	36.00	14.00	10.00	27.25	45.25	0.824	2.118
36 x 16	17	360 019 247	38.00	36.00	16.00	10.00	28.25	46.25	0.941	2.118
36 x 18	17	360 032 105	40.00	36.00	18.00	10.00	28.25	46.25	1.059	2.118
36 x 20	17	360 061 758	42.00	36.00	20.00	10.00	28.25	46.25	1.176	2.118
36 x 24	17	360 019 263	46.00	36.00	24.00	10.00	29.25	46.25	1.412	2.118

Reducers

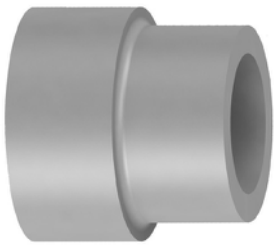


BUTT FITTINGS: Butt Reducer PE4710 IPS, DR7

- Approval: ASTM D2513
- Approval: ASTM D3261
- Approval: AWWA C906
- Approval: NSF-61

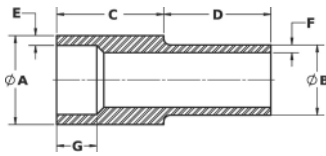


Size (inch)	GF Code	weight (lb)	A (inch)	B (inch)	L (inch)	Box Qty
3 - 2	360 019 981	1.3	3.22	2.50	6.65	10
4 - 2	360 019 989	1.3	2.80	2.75	7.16	10
4 - 3	360 019 991	1.5	3.00	2.50	6.37	10
6 - 4	360 019 996	3.9	3.90	3.85	8.91	5
8 - 6	360 019 999	8.6	5.14	4.23	10.66	6
10 - 8	360 019 963	22.8	6.00	6.00	16.00	1

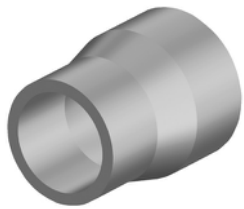


Reducer Bushing Fabricated IPS, DR7

- Approval: NSF-61
 - Approval: AWWA C906
- Please call for more information on pricing, availability, other sizes and dimensions.

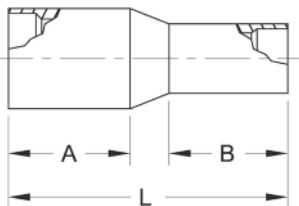


Size (inch)	SDR	Code	A (inch)	B (inch)	C (inch)	D (inch)	E (inch)	F (inch)	Weight (lb)
12x8	7	360 028 125	12.75	8.63	9.25	6.75	1.82	1.23	29.48
12x10	7	360 018 408	12.75	10.75	6.00	6.00	1.82	1.54	31.32

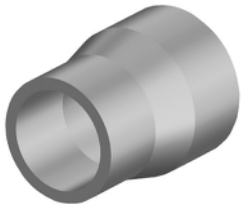


BUTT FITTINGS: Butt Reducer PE4710 IPS/CTS, DR9

- Approval: ASTM D2513
- Approval: ASTM D3261
- Approval: AWWA C906
- Approval: NSF-61

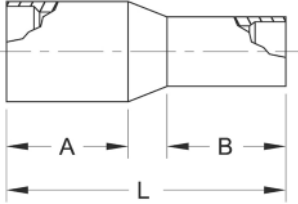


Size (inch)	GF Code	weight (lb)	A (inch)	B (inch)	L (inch)	Box Qty
1 - ½	360 000 376	0.1	1.60	1.80	4.58	50
1 - 1	360 000 384	0.1	1.60	2.25	4.50	100
1 - 1	360 003 047	0.1	1.60	2.25	4.50	100
1 ¼ - 1	360 000 387	0.1	1.50	2.00	3.78	100
1 ¼ - 1 ¼	360 000 392	0.1	2.50	2.50	5.75	100
2 - 2	360 003 580	0.4	2.75	3.00	6.00	20



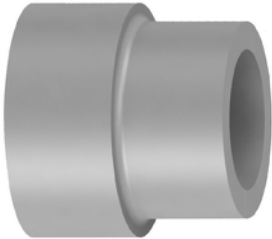
BUTT FITTINGS: Butt Reducer
PE4710
IPS, DR9

- Approval: ASTM D2513
- Approval: ASTM D3261
- Approval: AWWA C906
- Approval: FM1613 CL250 (indicated with *)
- Approval: NSF-61



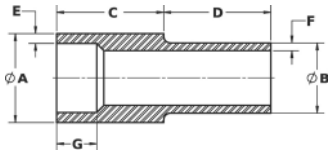
Size (inch)	GF Code	weight (lb)	FM	A (inch)	B (inch)	L (inch)	Box Qty
1 - ½	360 000 378	0.1		1.50	1.25	4.00	100
1 - ¾	360 000 382	0.1		1.50	1.75	4.50	100
1 ½ - ¾	360 000 397	0.2		2.50	2.40	5.69	100
1 ½ - 1	360 000 399	0.2		2.50	2.28	5.75	100
3 - 2	360 000 430	1.2		3.35	2.56	7.15	10
4 - 2	360 000 445	2.1		3.00	3.00	11.87	10
4 - 3	360 000 446	1.7		3.13	3.13	8.62	10
6 - 4	360 000 458	3.7	*	4.22	3.75	9.13	5
8 - 6	360 000 472	7.7	*	5.00	4.64	10.70	6
10 - 8	360 000 405	19.3	*	6.00	5.95	15.00	1
12 - 8	360 000 413	22.4		6.65	6.55	15.00	1
12 - 10	360 000 412	27.3	*	6.00	6.00	16.00	1

Reducer Bushing Fabricated IPS, DR9

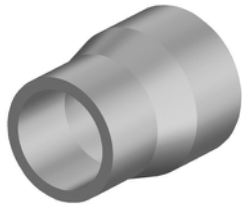


- Approval: NSF-61
- Approval: AWWA C906
- Approval: ASTM D3261 (indicated with *)

Please call for more information on pricing, availability, other sizes and dimensions.
 See IPS HDPE molded fittings for 12"x10" size



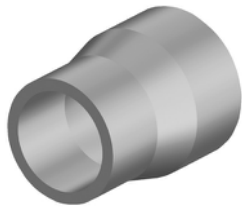
Size (inch)	SDR	Code	A (inch)	B (inch)	C (inch)	D (inch)	E (inch)	F (inch)	Weight (lb)	ASTM D3261
12x8	9	360 018 405	12.75	8.63	6.00	6.00	1.42	0.96	27.47	*
14x10	9	360 032 280	14.00	10.75	7.00	7.00	1.56	1.19	20.00	
14x12	9	360 018 419	14.00	12.75	7.00	7.00	1.56	1.42	37.65	
16x12	9	360 018 432	16.00	12.75	7.00	7.00	1.78	1.42	50.61	*
16x14	9	360 018 435	16.00	14.00	7.00	7.00	1.78	1.56	49.72	
18x14	9	360 061 367	18.00	14.00	7.00	7.00	2.00	1.56	36.00	
18x16	9	360 018 446	18.00	16.00	7.00	7.00	2.00	1.78	62.81	*
20x16	9	360 018 455	20.00	16.00	7.00	7.00	2.22	1.78	79.24	*
20x18	9	360 018 458	20.00	18.00	7.00	7.00	2.22	2.00	77.43	
22x20	9	360 018 469	22.00	20.00	7.00	7.00	2.44	2.22	93.58	*
24x20	9	360 018 484	24.00	20.00	9.00	9.00	2.67	2.22	149.58	
24x22	9	360 018 488	24.00	22.00	9.00	9.00	2.67	2.44	146.11	*



**BUTT FITTINGS: Butt Reducer
PE4710 IPS/CTS, DR11**

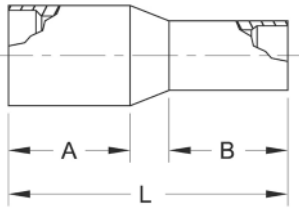
- Approval: ASTM D2513
- Approval: ASTM D3261
- Approval: AWWA C906
- Approval: NSF-61

Size (inch)	GF weight Code	(lb)	A (inch)	B (inch)	L (inch)	Box Qty
¾ - ¾	360 000 372	1.0	1.79	2.00	4.00	100
1 - ¾	360 000 375	0.1	1.50	1.80	4.50	100
2 - 1 ¼	360 000 418	1.0	2.49	2.88	6.31	100
2 - 1 ¼	360 000 416	0.3	2.49	2.88	6.31	100
2 - 2	360 003 579	0.3	2.75	3.00	6.00	20

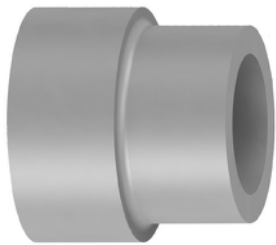


**BUTT FITTINGS: Butt Reducer
PE4710
IPS, DR11**

- Approval: ASTM D2513
- Approval: ASTM D3261
- Approval: AWWA C906
- Approval: FM1613 CL 200 (indicated with *)
- Approval: NSF-61



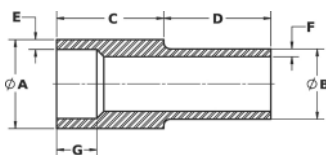
Size (inch)	GF weight Code	(lb)	FM	A (inch)	B (inch)	L (inch)	Box Qty
¾ - ½	360 019 952	0.1		1.98	1.62	4.25	100
1 ¼ - ¾	360 000 391	0.1		1.86	1.92	4.25	100
1 ¼ - 1	360 029 045	0.0		2.50	2.00	4.75	100
1 ½ - 1	360 000 393	0.2		2.50	2.28	5.75	100
1 ½ - 1 ¼	360 000 395	0.2		2.47	2.58	6.05	100
2 - 1	360 000 414	0.3		2.88	2.88	6.94	100
2 - 1 ¼	360 000 420	0.3		3.28	2.56	6.82	100
2 - 1 ½	360 000 422	0.3		2.50	2.72	6.00	50
3 - 2	360 003 439	0.7		3.25	2.63	7.15	10
4 - 2	360 003 440	1.2		3.38	2.75	7.88	10
4 - 3	360 000 069	1.3		3.38	3.25	7.88	10
6 - 4	360 000 066	3.0	*	4.38	3.75	9.25	5
8 - 6	360 000 068	7.0	*	5.06	4.88	11.75	6
10 - 8	360 003 453	14.0	*	6.50	6.50	15.00	1
12 - 8	360 029 046	18.3		6.65	6.55	15.00	1
12 - 10	360 003 455	20.2	*	6.50	6.50	15.25	1



Reducer Bushing Fabricated IPS, DR11

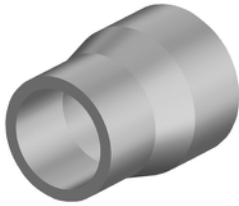
- Approval: NSF-61
- Approval: AWWA C906
- Approval: ASTM D3261 (indicated with *)

Please call for more information on pricing, availability, other sizes and dimensions.
See IPS HDPE molded fittings for 8"x6", 10"x8", 12"x8", and 12"x10" sizes



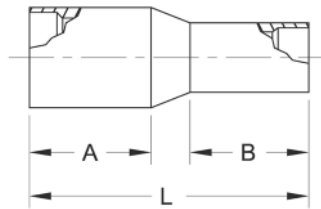
Size (inch)	SDR	Code	A (inch)	B (inch)	C (inch)	D (inch)	E (inch)	F (inch)	Weight (lb)	ASTM D3261
8 x 4	11	360 018 382	8.63	4.50	8.00	8.00	0.78	0.41	9.00	
10 x 6	11	360 018 393	10.75	6.63	6.00	6.00	0.98	0.60	18.81	
14 x 10	11	360 018 417	14.00	10.75	7.00	7.00	1.27	0.98	29.39	
14 x 12	11	360 018 421	14.00	12.75	7.00	7.00	1.27	1.16	31.60	
16 x 12	11	360 018 433	16.00	12.75	7.00	7.00	1.46	1.16	43.80	
16 x 14	11	360 018 437	16.00	14.00	7.00	7.00	1.45	1.27	42.16	
18 x 14	11	360 018 444	18.00	14.00	7.00	7.00	1.64	1.27	56.00	
18 x 16	11	360 018 448	18.00	16.00	7.00	7.00	1.64	1.45	53.04	

Size (inch)	SDR	Code	A (inch)	B (inch)	C (inch)	D (inch)	E (inch)	F (inch)	Weight (lb)	ASTM D3261
20 x 16	11	360 018 456	20.00	16.00	7.00	7.00	1.82	1.45	58.80	
20 x 18	11	360 018 460	20.00	18.00	7.00	7.00	1.82	1.64	65.18	
22 x 18	11	360 018 466	22.00	18.00	7.00	7.00	2.00	1.64	82.28	*
22 x 20	11	360 018 471	22.00	20.00	7.00	7.00	2.00	1.82	78.55	
24 x 20	11	360 018 485	24.00	20.00	9.00	9.00	2.18	1.82	128.46	*



**BUTT FITTINGS: Butt Reducer
PE4710
IPS, DR17**

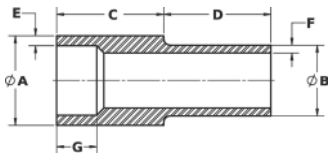
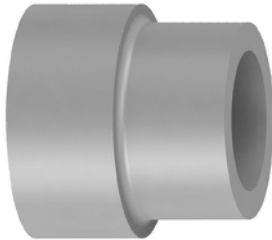
- Approval: ASTM D2513
- Approval: ASTM D3261
- Approval: AWWA C906
- Approval: NSF-61



Size (inch)	GF weight Code	(lb)	A (inch)	B (inch)	L (inch)	Box Qty
2 - 1 1/2	360 000 424	0.3	2.50	2.72	6.00	50
3 - 2	360 003 496	0.6	3.22	2.50	6.65	10
4 - 2	360 000 440	0.9	3.50	2.75	7.88	10
4 - 3	360 003 490	1.2	3.00	2.50	6.38	10
6 - 4	360 000 035	2.8	4.22	3.75	9.13	5
8 - 6	360 003 497	6.0	4.95	4.69	10.84	6
10 - 8	360 019 962	12.6	6.00	6.00	16.00	1
12 - 8	360 029 050	16.7	6.00	6.00	16.00	1
12 - 10	360 029 049	17.9	6.00	6.00	16.00	1

Reducer Bushing Fabricated IPS, DR17

- Approval: NSF-61
 - Approval: AWWA C906
 - Approval: ASTM D3261 (indicated with *)
- Please call for more information on pricing, availability, other sizes and dimensions.
See IPS HDPE molded fittings for 10"x8" and 12"x8" sizes



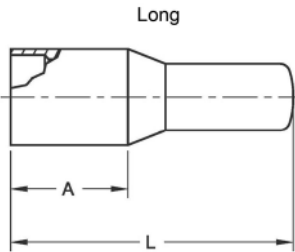
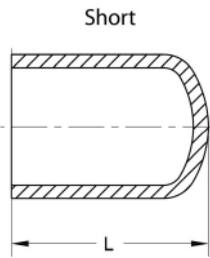
Size (inch)	SDR	Code	A (inch)	B (inch)	C (inch)	D (inch)	E (inch)	F (inch)	Weight (lb)	ASTM D3261
10 x 6	11	360 018 394	10.75	6.63	6.00	6.00	0.63	0.39	14.43	
12 x 10	17	360 018 412	12.75	10.75	6.00	6.00	0.75	0.63	16.68	
14 x 10	17	360 018 418	14.00	10.75	7.00	7.00	0.82	0.63	56.34	
14 x 12	17	360 018 422	14.00	12.75	7.00	7.00	0.82	0.75	22.08	
16 x 12	17	360 018 434	16.00	12.75	7.00	7.00	0.94	0.75	33.10	
16 x 14	17	360 018 438	16.00	14.00	7.00	7.00	0.94	0.82	30.27	
18 x 14	17	360 018 445	18.00	14.00	7.00	7.00	1.06	0.82	42.77	
18 x 16	17	360 018 450	18.00	16.00	7.00	7.00	1.06	0.94	37.70	
20 x 16	17	360 018 457	20.00	16.00	7.00	7.00	1.18	0.94	41.00	
20 x 18	17	360 018 462	20.00	18.00	7.00	7.00	1.18	1.06	45.92	
24 x 22	17	360 018 491	24.00	22.00	9.00	9.00	1.41	1.29	85.38	*

End Caps



BUTT FITTINGS: End Cap PE4710 IPS, DR7

- Approval: ASTM D2513
- Approval: ASTM D3261
- Approval: AWWA C906
- Approval: NSF-61

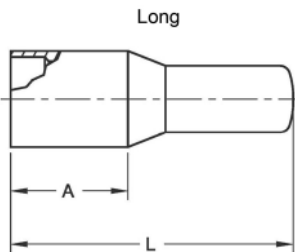
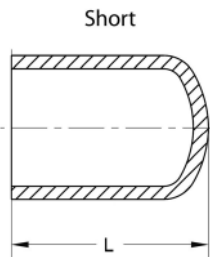


Size (inch)	Style	GF weight Code	(lb)	A (inch)	L (inch)	Box Qty
2	SHORT	360 019 920	0.2		2.93	40
3	LONG	360 019 923	1.2	2.88	7.43	10
4	LONG	360 019 928	1.8	3.00	7.75	10
6	LONG	360 019 931	4.7	4.22	10.25	5
8	LONG	360 019 933	10.4	5.14	12.41	6

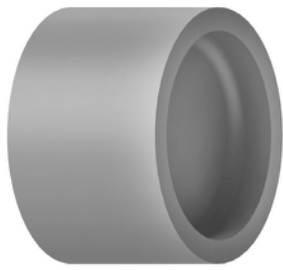


BUTT FITTINGS: End Cap PE4710 IPS, DR9

- Approval: ASTM D2513
- Approval: ASTM D3261
- Approval: AWWA C906
- Approval: NSF-61

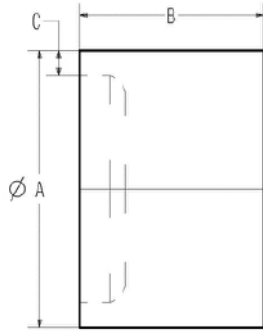


Size (inch)	Style	GF weight Code	(lb)	A (inch)	L (inch)	Box Qty
1 ½	SHORT	360 003 578	0.2		3.50	50
2	SHORT	360 000 337	0.2		2.72	50
3	LONG	360 000 341	0.6	2.88	7.43	10
4	LONG	360 000 351	2.1	3.00	10.70	10
6	LONG	360 000 361	3.1	4.22	10.25	5
8	LONG	360 000 371	8.3	5.14	12.41	6



End Caps Fabricated IPS, DR9

- Approval: NSF-61
 - Approval: AWWA C906
 - Approval: ASTM D3261
- Please call for more information on pricing, availability, other sizes and dimensions.



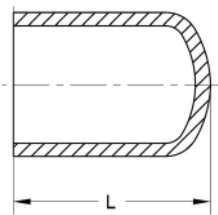
Size (inch)	SDR	Code	A (inch)	B (inch)	C (inch)	Weight (lb)
10	9	360 015 442	10.75	4.00	1.19	11.12
12	9	360 015 446	12.75	4.00	1.42	15.57
14	9	360 015 449	14.00	4.00	1.56	18.77
16	9	360 015 452	16.00	5.00	1.78	31.44
18	9	360 015 455	18.00	5.00	2.00	41.00
20	9	360 015 458	20.00	5.00	2.22	49.12
24	9	360 015 464	24.00	6.00	2.67	89.00



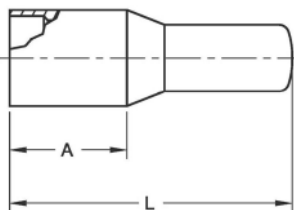
**BUTT FITTINGS: End Cap
PE4710 IPS, DR11**

- Approval: ASTM D2513
- Approval: ASTM D3261
- Approval: AWWA C906
- Approval: FM1613 CL 200 (indicated with *)
- Approval: NSF-61

Short

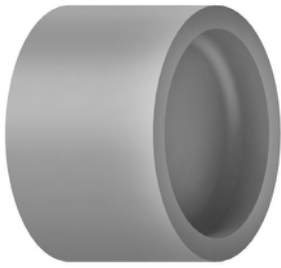


Long

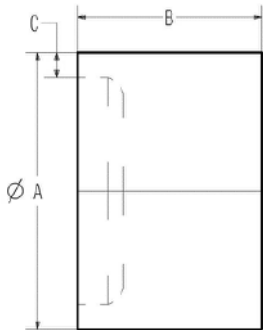


Size (inch)	Style	GF weight Code	FM (lb)	A (inch)	L (inch)	Box Qty	
¾	SHORT	360 000 314	0.0		2.04	100	
1	SHORT	360 000 318	0.0		2.09	100	
1 ¼	SHORT	360 000 321	0.1		3.25	50	
1 ½	SHORT	360 000 322	0.1		2.58	50	
2	LONG	360 000 333	0.4	3.13	7.00	50	
2	SHORT	360 000 334	0.2		2.72	40	
3	LONG	360 000 338	0.8	2.88	7.43	10	
4	LONG	360 000 343	1.4	*	3.00	7.75	10
6	SHORT	360 000 352	2.6	*	6.60	5	
6	LONG	360 019 929	4.4		4.22	10.25	5
8	SHORT	360 000 363	6.0	*	8.10	6	
10	SHORT	360 003 452	11.8		10.05	1	
12	SHORT	360 003 454	19.6		11.93	1	

End Caps Fabricated IPS, DR11



- Approval: NSF-61
 - Approval: AWWA C906
 - Approval: ASTM D3261 (indicated with *)
- Please call for more information on pricing, availability, other sizes and dimensions.



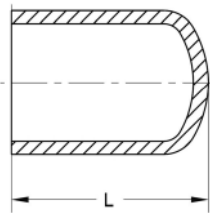
Size (inch)	SDR	Code	A (inch)	B (inch)	C (inch)	Weight (lb)	ASTM D3261
10	11	360 015 443	10.75	4.00	0.98	10.92	
12	11	360 015 447	12.75	4.00	1.16	15.36	
14	11	360 015 450	14.00	4.00	1.27	18.52	*
16	11	360 015 453	16.00	5.00	1.45	31.10	*
18	11	360 015 456	18.00	5.00	1.64	39.36	*
20	11	360 015 459	20.00	5.00	1.82	48.60	*
22	11	360 015 462	22.00	6.00	2.00	71.87	*
24	11	360 015 465	24.00	6.00	2.18	85.54	*

**BUTT FITTINGS: End Cap
PE4710 IPS, DR17**

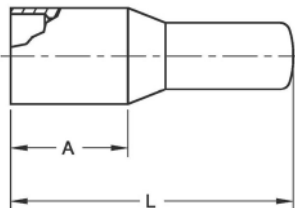


- Approval: ASTM D2513
- Approval: ASTM D3261
- Approval: AWWA C906
- Approval: NSF-61

Short

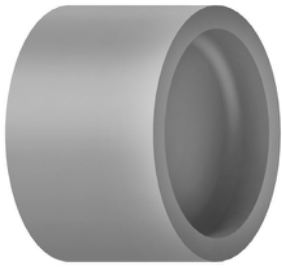


Long



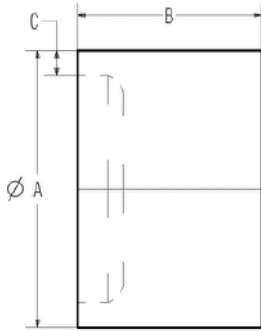
Size (inch)	Style	GF Code	weight (lb)	A (inch)	L (inch)	Box Qty
3	LONG	360 000 339	0.8	2.88	7.43	10
4	LONG	360 000 347	1.3	3.00	7.75	10
6	SHORT	360 003 442	2.3		6.60	5
8	SHORT	360 003 500	5.6		8.10	6
12	SHORT	360 003 494	16.7		11.93	1

End Caps Fabricated IPS, DR17



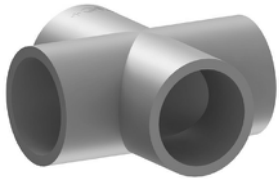
- Approval: NSF-61
- Approval: AWWA C906
- Approval: ASTM D3261 (indicated with *)

Please call for more information on pricing, availability, other sizes and dimensions.



Size (inch)	SDR	Code	A (inch)	B (inch)	C (inch)	Weight (lb)	ASTM D3261
12	17	360 015 448	12.75	3.00	0.75	10.61	*
14	17	360 015 451	14.00	4.00	0.82	18.08	*
16	17	360 015 454	16.00	4.00	0.94	23.62	*
18	17	360 015 457	18.00	4.00	1.06	29.89	*
20	17	360 015 460	20.00	5.00	1.18	47.71	*
22	17	360 015 463	22.00	5.00	1.29	57.73	*
24	17	360 015 466	24.00	5.00	1.41	65.68	

Cross

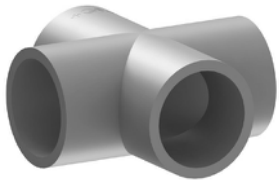
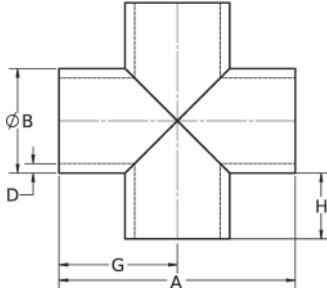


IPS FBF Cross DR7

- Approval: NSF-61
- Approval: AWWA C906

Please call for more information on pricing, availability, other sizes and dimensions.

Size (inch)	SDR	Code	A (inch)	B (inch)	D (inch)	G (inch)	H (inch)	Weight (lb)
6	7	360 017 081	18.60	6.63	0.95	9.31	6.00	17.15

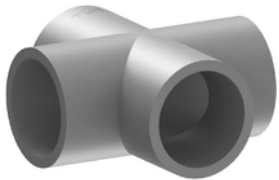
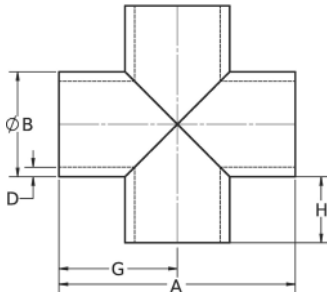


IPS FBF Cross DR9

- Approval: NSF-61
- Approval: AWWA C906

Please call for more information on pricing, availability, other sizes and dimensions.

Size (inch)	SDR	Code	A (inch)	B (inch)	D (inch)	G (inch)	H (inch)	Weight (lb)
4	9	360 017 079	16.50	4.50	0.50	8.25	6.00	6.01
6	9	360 017 082	18.60	6.63	0.74	9.31	6.00	13.84

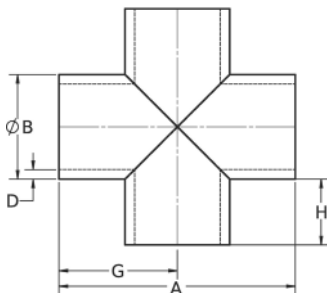


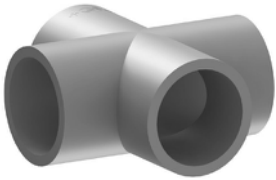
IPS FBF Cross DR11

- Approval: NSF-61
- Approval: AWWA C906

Please call for more information on pricing, availability, other sizes and dimensions.

Size (inch)	SDR	Code	A (inch)	B (inch)	D (inch)	G (inch)	H (inch)	Weight (lb)
2	11	360 017 076	14.40	2.38	0.22	7.19	6.00	1.31
3	11	360 017 077	15.50	3.50	0.32	7.75	6.00	2.94
4	11	360 017 080	16.50	4.50	0.41	8.25	6.00	5.03
6	11	360 017 083	18.60	6.63	0.60	9.30	5.99	11.58
8	11	360 017 087	24.60	8.63	0.78	12.30	7.99	26.06
10	11	360 017 091	26.80	10.75	0.98	13.40	8.03	42.50
12	11	360 017 095	28.80	12.75	1.16	14.40	8.03	62.25

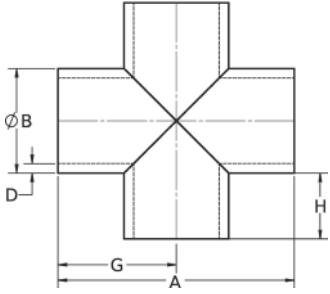




IPS FBF Cross DR17

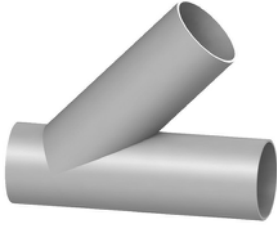
- Approval: NSF-61
 - Approval: AWWA C906
- Please call for more information on pricing, availability, other sizes and dimensions.

Size	SDR	Code	A	B	D	G	H	Weight
(inch)			(inch)	(inch)	(inch)	(inch)	(inch)	(lb)
12	17	360 017 096	28.80	12.75	0.75	14.38	8.00	41.71

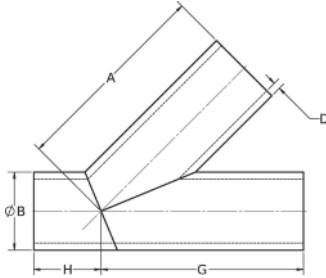


Lateral Wyes

IPS WYE 45 DR7

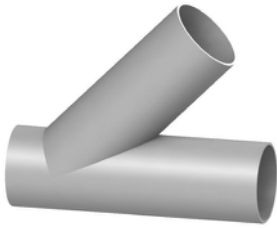


- Approval: NSF-61
 - Approval: AWWA C906
- Please call for more information on pricing, availability, other sizes and dimensions.

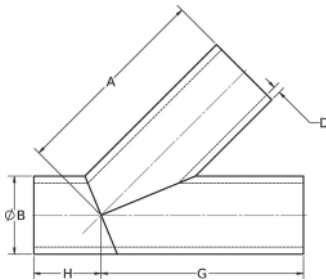


Size (inch)	SDR	Code	A (inch)	B (inch)	D (inch)	G (inch)	H (inch)	Weight (lb)
3	7	360 017 390	14.00	3.50	0.50	18.00	7.00	7.00
4	7	360 017 393	21.01	4.50	0.64	22.00	7.00	12.72
6	7	360 017 397	28.00	6.63	0.95	28.00	7.00	33.57
8	7	360 017 402	30.00	8.63	1.23	30.00	8.00	60.31

IPS WYE 45 DR9

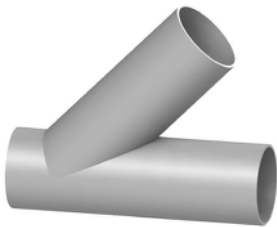


- Approval: NSF-61
 - Approval: AWWA C901 (indicated with *)
 - Approval: AWWA C906 (indicated with **)
- Please call for more information on pricing, availability, other sizes and dimensions.

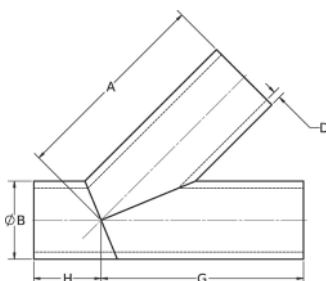


Size (inch)	SDR	Code	A (inch)	B (inch)	D (inch)	G (inch)	H (inch)	Weight (lb)	AWWA
2	9	360 017 388	14.00	2.38	0.26	18.00	6.00	2.00	
3	9	360 017 391	14.00	3.50	0.39	18.00	7.00	6.00	
4	9	360 017 394	22.00	4.50	0.50	22.00	7.00	10.24	**
6	9	360 017 398	28.00	6.63	0.74	28.00	7.00	27.01	**
8	9	360 017 403	30.00	8.63	0.96	30.00	8.00	48.46	**
10	9	360 017 407	31.00	10.75	1.19	31.00	8.00	75.63	**
12	9	360 017 411	33.00	12.75	1.42	33.00	11.00	115.81	**
18	9	360 017 424	57.00	18.00	2.00	57.00	14.00	392.50	**
24	9	360 017 436	69.00	24.00	2.67	69.00	15.00	821.86	**

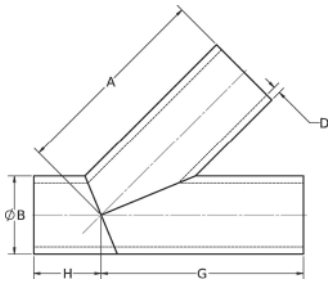
IPS WYE 45 DR11



- Approval: NSF-61
 - Approval: AWWA C906
- Please call for more information on pricing, availability, other sizes and dimensions.



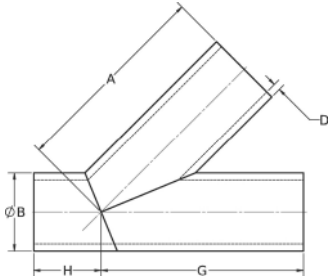
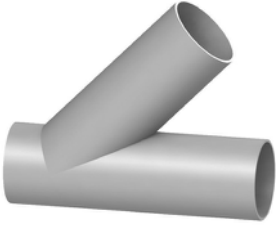
Size (inch)	SDR	Code	A (inch)	B (inch)	D (inch)	G (inch)	H (inch)	Weight (lb)
2	11	360 017 389	14.00	2.38	0.22	18.00	6.00	2.00
3	11	360 017 392	14.00	3.50	0.32	18.00	7.00	5.00
4	11	360 017 395	22.00	4.50	0.41	22.00	7.00	8.55
6	11	360 017 399	28.00	6.63	0.60	28.00	7.00	22.55
8	11	360 017 404	30.00	8.63	0.78	30.00	8.00	40.46
10	11	360 017 408	31.00	10.75	0.98	31.00	8.00	63.11
12	11	360 017 412	33.00	12.75	1.16	33.00	11.00	96.57
14	11	360 017 416	42.00	14.00	1.27	42.00	11.00	146.17
16	11	360 017 421	44.00	16.00	1.46	44.00	13.00	200.90



Size (inch)	SDR	Code	A (inch)	B (inch)	D (inch)	G (inch)	H (inch)	Weight (lb)
18	11	360 017 425	57.00	18.00	1.64	57.00	14.00	327.49
20	11	360 017 429	65.00	20.00	1.82	65.00	14.00	455.64
22	11	360 017 433	67.00	22.00	2.00	67.00	14.00	561.56
24	11	360 017 437	69.00	24.00	2.18	69.00	15.00	685.62

IPS WYE 45 DR17

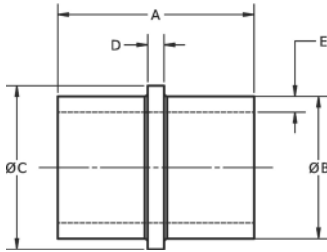
- Approval: NSF-61
 - Approval: AWWA C906
- Please call for more information on pricing, availability, other sizes and dimensions.



Size (inch)	SDR	Code	A (inch)	B (inch)	D (inch)	G (inch)	H (inch)	Weight (lb)
4	17	360 017 396	22.00	4.50	0.26	22.00	7.00	5.72
6	17	360 017 400	28.00	6.63	0.39	28.00	7.00	15.07
8	17	360 017 405	30.00	8.63	0.51	30.00	8.00	26.98
10	17	360 017 409	31.00	10.75	0.63	31.00	8.00	42.06
12	17	360 017 413	33.00	12.75	0.75	33.00	11.00	64.35
14	17	360 017 417	42.00	14.00	0.82	42.00	11.00	97.51
16	17	360 017 422	44.00	16.00	0.94	44.00	13.00	133.85
18	17	360 017 426	57.00	18.00	1.06	57.00	14.00	218.51
20	17	360 017 430	65.00	20.00	1.18	65.00	14.00	303.84
22	17	360 017 434	67.00	22.00	1.29	67.00	14.00	374.41
24	17	360 017 438	69.00	24.00	1.41	69.00	15.00	457.07

Waterstops

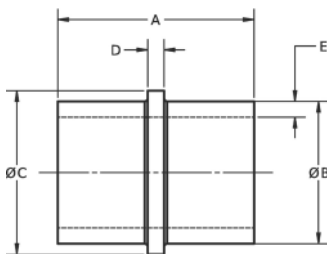
IPS Water Stop DR9



- Approval: NSF-61
- Approval: AWWA C906
- Approval: ASTM D3261

Size (inch)	SDR	Code	A (inch)	B (inch)	C (inch)	D (inch)	E (inch)	Weight (lb)
3	9	360 019 624	12.00	3.50	3.50	2.00	0.39	2.00
4	9	360 019 628	12.00	4.50	5.00	2.00	0.50	3.00
6	9	360 019 635	12.00	6.63	8.50	2.00	0.74	7.14
8	9	360 019 642	16.00	8.63	10.63	2.00	0.96	14.76
10	9	360 019 648	18.00	10.75	12.75	2.00	1.19	24.69
12	9	360 019 654	22.00	12.75	15.00	2.00	1.42	41.46
14	9	360 019 660	22.00	14.00	17.50	2.00	1.56	52.06
16	9	360 019 666	24.00	16.00	20.00	2.00	1.78	73.21
24	9	360 019 687	28.00	24.00	28.00	2.00	2.67	187.00

IPS Water Stop DR11

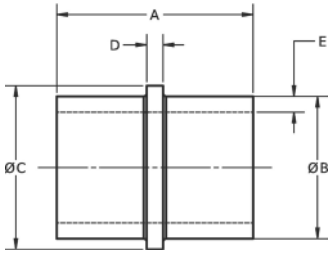


- Approval: NSF-61
- Approval: ASTM D3261
- Approval: AWWA C901 (indicated with *)
- Approval: AWWA C906 (indicated with **)

Size (inch)	SDR	Code	A (inch)	B (inch)	C (inch)	D (inch)	E (inch)	Weight (lb)	AWWA
2	11	360 019 621	12.00	2.38	3.50	2.00	0.22	0.96	*
3	11	360 019 625	12.00	3.50	5.00	2.00	0.32	2.00	*
4	11	360 019 629	12.00	4.50	6.60	2.00	0.41	3.42	**
6	11	360 019 636	12.00	6.63	8.50	2.00	0.60	6.22	**
8	11	360 019 643	16.00	8.63	10.63	2.00	0.78	12.69	**
10	11	360 019 649	18.00	10.75	12.75	2.00	0.98	21.07	**
12	11	360 019 655	22.00	12.75	15.00	2.00	1.16	35.24	**
14	11	360 019 661	22.00	14.00	17.50	2.00	1.27	44.38	**
16	11	360 019 667	24.00	16.00	20.00	2.00	1.46	70.29	**
18	11	360 019 672	24.00	18.00	21.12	2.00	1.64	75.89	**
20	11	360 019 677	24.00	20.00	23.50	2.00	1.82	93.77	**
24	11	360 019 688	28.00	24.00	28.00	2.00	2.18	154.96	**

IPS Water Stop DR17

- Approval: NSF-61
- Approval: ASTM D3261
- Approval: AWWA C906



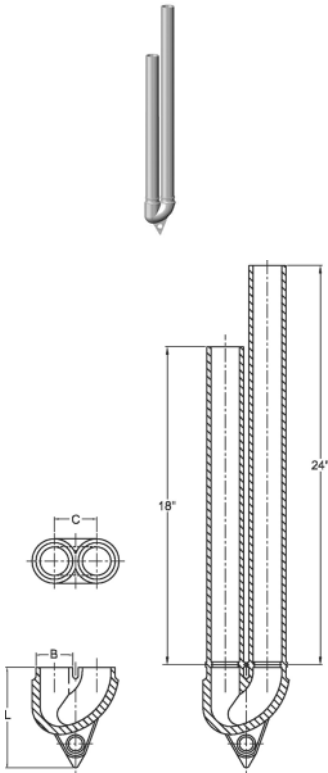
Size (inch)	SDR	Code	A (inch)	B (inch)	C (inch)	D (inch)	E (inch)	Weight (lb)
6	17	360 019 637	12.00	6.63	8.50	2.00	0.39	4.67
8	17	360 019 644	16.00	8.63	10.63	2.00	0.51	9.19
10	17	360 019 650	18.00	10.75	12.75	2.00	0.63	14.95
12	17	360 019 656	22.00	12.75	15.00	2.00	0.75	39.00
14	17	360 019 662	22.00	14.00	17.50	2.00	0.82	31.69
16	17	360 028 596	24.00	16.00	20.00	2.00	0.94	88.00
18	17	360 019 673	24.00	18.00	21.12	2.00	1.06	106.00
20	17	360 019 678	24.00	20.00	23.50	2.00	1.18	65.53
22	17	360 019 683	24.00	22.00	25.60	2.00	1.29	78.60
24	17	360 019 689	28.00	24.00	28.00	2.00	1.41	187.00

U-Bends

BUTT FITTINGS: Geo-Loop (U-Bend) PE4710

- Available in PE3408/PE4710 only.

Size (inch)	SDR	GF weight Code	B (inch)	C (inch)	L (inch)	Box Qty	
3/4	11	360 002 793	0.1	1.05	1.75	3.84	100
1	11	360 002 792	0.1	1.31	1.82	3.84	100
1 1/4	9.3	360 002 791	0.3	1.66	1.91	4.55	100

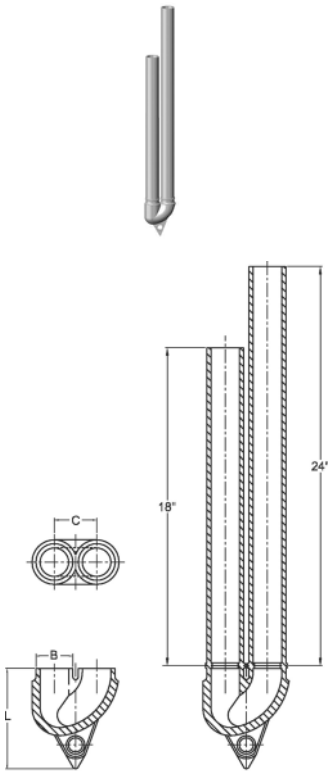


BUTT FITTINGS: Geo-Loop (U-Bend) PE4710


with 18" & 24" Pups, DR11

- Available in PE3408/PE4710 only.

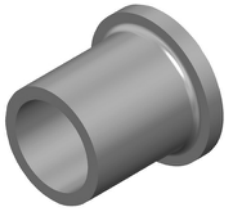
Size (inch)	GF weight Code	B (inch)	C (inch)	L (inch)	Box Qty	
3/4	360 002 798	1.2	1.05	1.75	3.84	15
1	360 002 796	1.4	1.31	1.82	3.84	15
1 1/4	360 002 794	1.8	1.66	1.91	4.55	15



IPS HDPE Adapters

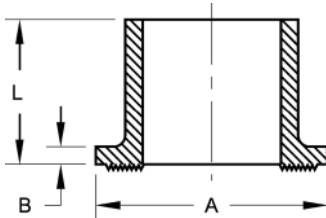
IPS HDPE Adapters	Page
	Flange Adapters 46
	Bolt Rings 51
	MJ Adapters 66
	MJ Gland Kit 71

Flange Adapters

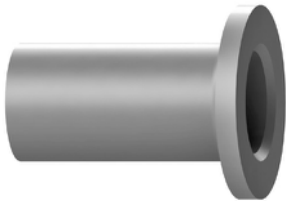


**FLANGE ADAPTER
PE4710
IPS, DR7**

- Approval: ASTM D3261
- Approval: AWWA C906
- Approval: NSF-61

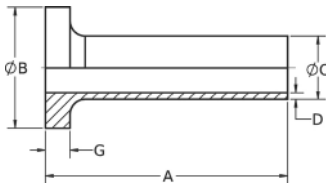


Size (inch)	GF Code	weight (lb)	A (inch)	B (inch)	L (inch)	Box Qty
2	360 001 498	0.7	3.94	0.39	6.00	10
3	360 001 547	1.3	5.00	0.63	6.00	10
4	360 001 559	2.3	6.00	0.75	6.00	8
6	360 001 579	5.9	8.50	1.10	8.00	2
8	360 001 599	11.0	10.63	1.57	9.00	2
10	360 001 430	16.6	12.75	1.90	9.00	2
12	360 001 448	29.1	15.00	2.28	11.00	2

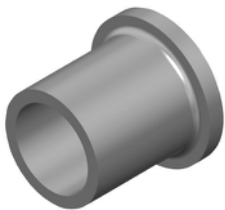


IPS Flange Adaptor DR7

- Approval: NSF-61
- Approval: AWWA C906
- Approval: ASTM D3261

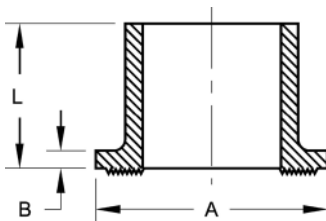


Size (inch)	SDR	Code	A (inch)	B (inch)	C (inch)	D (inch)	G (inch)	Weight (lb)
14	7	360 016 753	11.00	17.50	14.00	2.00	2.50	35.81
16	7	360 016 762	12.00	20.00	16.00	2.29	2.88	51.60
18	7	360 016 772	12.00	21.12	18.00	2.57	3.25	61.87
20	7	360 016 780	13.00	23.50	20.00	2.86	3.63	83.33
22	7	360 016 790	13.00	25.60	22.00	3.14	3.94	101.02
24	7	360 016 798	14.00	28.00	24.00	3.43	4.29	130.20



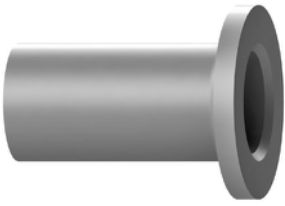
**FLANGE ADAPTER
PE4710
IPS, DR9**

- Approval: ASTM D3261
- Approval: AWWA C906
- Approval: FM1613 CL250 (indicated with *)
- Approval: NSF-61

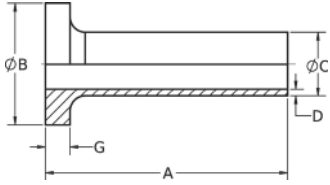


Size (inch)	GF Code	weight (lb)	FM	A (inch)	B (inch)	L (inch)	Box Qty
2	360 000 015	0.5		3.94	0.39	6.00	10
3	360 000 016	1.0		5.00	0.63	6.00	10
4	360 001 562	1.7	*	6.00	0.75	6.00	8
6	360 001 582	5.2	*	8.50	1.00	8.00	2
8	360 001 600	10.2	*	10.63	1.57	9.00	2
10	360 001 432	14.7	*	12.75	1.60	9.00	2
12	360 001 450	25.0	*	15.00	1.90	11.00	2

IPS Flange Adaptor DR9

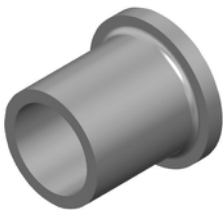


- Approval: NSF-61
- Approval: AWWA C906
- Approval: ASTM D3261

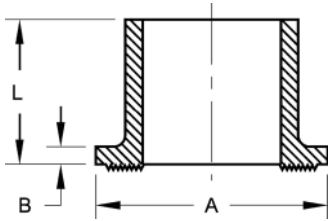


Size (inch)	SDR	Code	A (inch)	B (inch)	C (inch)	D (inch)	G (inch)	Weight (lb)
14	9	360 016 754	11.00	17.50	14.00	1.56	2.00	28.84
16	9	360 016 763	12.00	20.00	16.00	1.78	2.25	41.35
18	9	360 016 773	12.00	21.12	18.00	2.00	2.50	49.51
20	9	360 016 781	12.00	23.50	20.00	2.22	2.88	62.76
22	9	360 016 791	12.00	25.60	22.00	2.44	3.13	76.09
24	9	360 016 799	14.00	28.00	24.00	2.67	3.36	104.47

**FLANGE ADAPTER
PE4710
IPS, DR11**

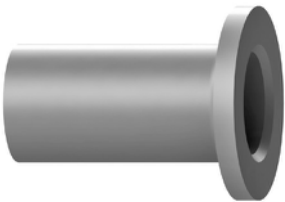


- Approval: ASTM D3261
- Approval: AWWA C906
- Approval: FM1613 CL 200 (indicated with *)
- Approval: NSF-61

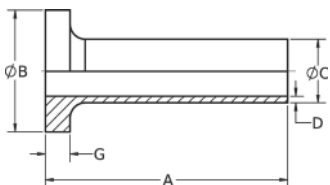


Size (inch)	GF weight Code	FM (lb)	A (inch)	B (inch)	L (inch)	Box Qty	
2	360 000 054	0.5	3.94	0.39	6.00	10	
3	360 000 055	0.9	5.00	0.63	6.00	10	
4	360 000 056	1.6	*	6.00	0.54	6.00	8
6	360 000 057	4.4	*	8.50	0.78	7.94	2
8	360 000 058	10.1	*	10.63	1.00	9.50	2
10	360 003 451	11.7	*	12.75	1.28	9.25	2
12	360 001 440	21.1	*	15.00	1.54	12.00	2
14	360 001 452	28.0		17.50	1.50	12.00	1
16	360 001 469	38.0		20.00	1.75	12.00	1
18	360 001 482	34.0		21.38	1.88	12.00	1

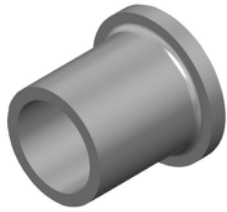
IPS Flange Adaptor DR11



- Approval: NSF-61
- Approval: ASTM D3261
- Approval: AWWA C906 (indicated with *)

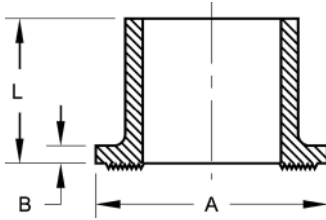


Size (inch)	SDR	Code	A (inch)	B (inch)	C (inch)	D (inch)	G (inch)	Weight (lb)	C906
20.00	11	360 016 782	12.00	23.50	20.00	1.82	2.27	51.97	*
22.00	11	360 016 792	12.00	25.60	22.00	2.00	2.50	63.15	*
24.00	11	360 016 800	14.00	28.00	24.00	2.18	2.75	87.07	*

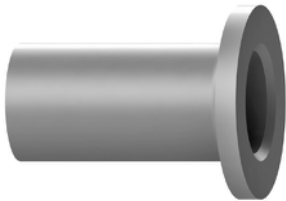


**FLANGE ADAPTER
PE4710
IPS, DR17**

- Approval: ASTM D3261
- Approval: AWWA C906
- Approval: NSF-61

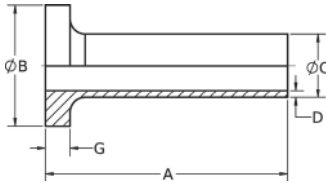


Size (inch)	GF Code	weight (lb)	A (inch)	B (inch)	L (inch)	Box Qty
2	360 003 508	0.4	3.94	0.39	6.00	10
3	360 003 509	0.8	5.00	0.63	6.00	10
4	360 001 556	1.5	6.00	0.54	6.00	8
6	360 000 017	4.2	8.50	0.78	7.75	2
8	360 001 594	10.1	10.63	1.00	9.50	2
10	360 004 436	8.8	12.75	1.28	9.25	2
12	360 001 443	15.0	15.00	1.54	12.00	2
14	360 001 457	20.0	17.50	1.50	12.00	1
16	360 001 474	28.8	20.00	1.75	12.00	1
18	360 001 486	34.9	21.38	1.88	12.00	1

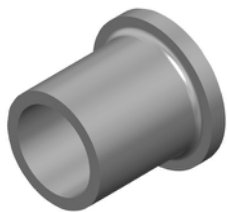


IPS Flange Adaptor DR17

- Approval: NSF-61
- Approval: AWWA C906
- Approval: ASTM D3261

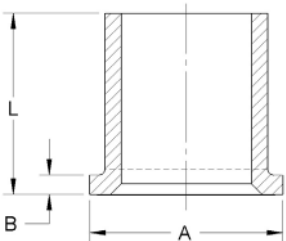


Size (inch)	SDR	Code	A (inch)	B (inch)	C (inch)	D (inch)	G (inch)	Weight (lb)
20	17	360 016 783	12.00	23.50	20.00	1.18	2.27	37.88
22	17	360 016 793	12.00	25.60	22.00	1.29	2.50	46.10
24	17	360 016 802	14.00	28.00	24.00	1.41	2.75	63.41

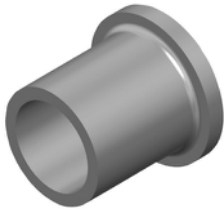


**FLANGE ADAPTER - BUTTERFLY STYLE
PE4710
IPS, DR7**

- Approval: ASTM D3261
- Approval: AWWA C906

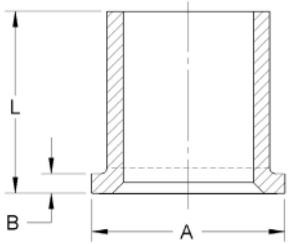


Size (inch)	GF Code	weight (lb)	A (inch)	B (inch)	L (inch)	Box Qty
2	360 001 499	1.0	3.94	0.39	6.00	10
3	360 001 548	1.2	5.00	0.63	6.00	10
4	360 001 560	1.9	6.00	0.75	6.00	8
6	360 001 580	5.7	8.50	1.10	8.00	2

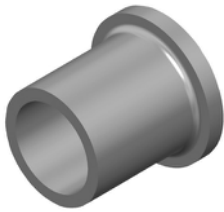


FLANGE ADAPTER - BUTTERFLY STYLE
PE4710
IPS, DR9

- Approval: ASTM D3261
- Approval: AWWA C906
- Approval: NSF-61

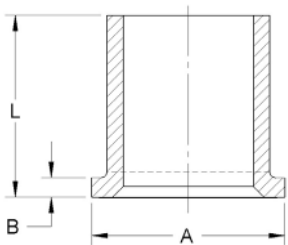


Size (inch)	GF Code	weight (lb)	A (inch)	B (inch)	L (inch)	Box Qty
3	360 001 549	1.0	5.00	0.63	6.00	10
4	360 001 563	1.7	6.00	0.75	6.00	8
6	360 001 581	5.7	8.00	1.00	8.00	2
8	360 001 602	8.9	10.63	1.57	9.00	2



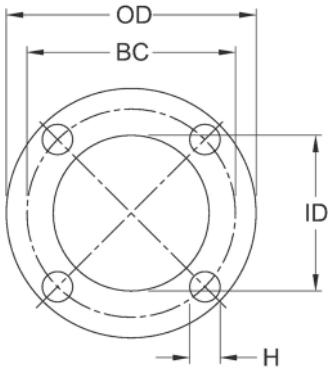
FLANGE ADAPTER - BUTTERFLY STYLE
PE4710
IPS, DR11

- Approval: ASTM D3261
- Approval: AWWA C906
- Approval: NSF-61



Size (inch)	GF Code	weight (lb)	A (inch)	B (inch)	L (inch)	Box Qty
2	360 001 495	0.5	3.94	0.39	6.00	10
3	360 003 510	0.9	5.00	0.63	6.00	10
4	360 001 552	1.5	6.00	0.75	6.00	8
6	360 001 571	4.5	8.50	1.00	7.94	2
8	360 001 589	7.5	10.63	1.00	9.50	2
10	360 021 844	11.0	12.75	1.28	9.25	2
12	360 001 439	21.2	15.00	1.54	12.00	2
14	360 001 454	27.0	17.50	1.50	12.00	1
16	360 001 471	47.9	20.00	1.75	12.00	1
18	360 021 857	56.0	21.38	1.88	12.00	1

Bolt Rings



Standard IPS Bolt Rings PC 335

- Approval: GR 65/45/12
- Approval: ASTM A536
- Approval: FM 1613 (indicated with *)
- Approval: CL335 (indicated with **)

Please call for more information on pricing, availability, other sizes and dimensions.

Size (inch)	Code	OD (inch)	BC (inch)	ID (inch)	H (inch)	T (inch)	Bolt Holes	FM	CL335	Weight (lb)
0.75	360 014 821	3.88	2.75	1.15	0.63	0.50	4			0.92
1.00	360 014 822	4.25	3.13	1.38	0.63	0.56	4			1.11
1.25	360 014 823	4.56	3.50	1.72	0.63	0.63	4			1.31
1.50	360 014 824	4.94	3.88	2.03	0.63	0.69	4			1.58
2.00	360 014 825	5.94	4.69	2.50	0.75	0.75	4	*	**	2.21
3.00	360 014 829	7.44	6.00	3.63	0.75	0.94	4	*	**	4.68
4.00	360 014 833	8.94	7.50	4.63	0.75	0.94	8	*	**	5.01
5.00	360 014 836	9.88	8.50	5.69	0.88	0.94	8			5.73
6.00	360 014 837	10.88	9.50	6.75	0.88	1.00	8	*	**	7.00
8.00	360 014 840	13.38	11.57	8.75	0.88	1.13	8	*	**	11.10
10.00	360 014 843	15.88	14.25	10.94	1.00	1.19	12	*	**	14.90
12.00	360 014 847	18.88	17.00	13.00	1.00	1.50	12	*	**	28.90
14.00	360 014 852	20.88	18.75	14.38	1.13	1.63	12	*	**	35.87
18.00	360 014 862	25.00	22.75	18.38	1.25	2.00	16	*	**	53.10
20.00	360 014 870	27.38	25.00	20.38	1.25	2.23	20	*	**	68.40
22.00	360 014 874	29.38	27.25	22.38	1.38	2.41	20	*	**	79.75
24.00	360 014 879	31.88	29.50	24.38	1.38	2.56	20	*	**	101.90

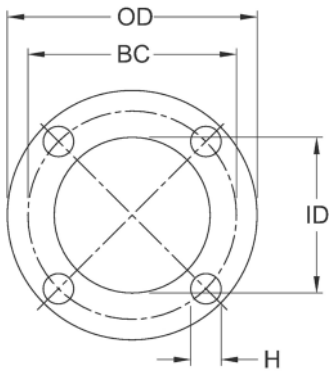
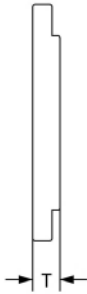
Standard IPS Bolt Rings PC 250

- Approval: GR 65/45/12
- Approval: ASTM A536
- Approval: FM 1613
- Approval: CL250

Please call for more information on pricing, availability, other sizes and dimensions.

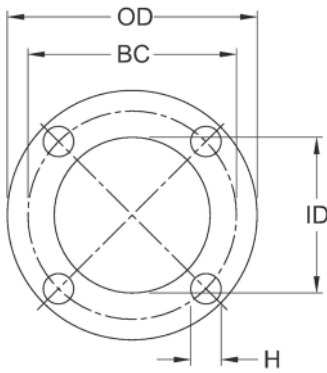


Size (inch)	Code	OD (inch)	BC (inch)	ID (inch)	H (inch)	T (inch)	Bolt Holes	Weight (lb)
26	360 014 883	34.13	31.75	26.38	1.38	2.50	24	109.18
28	360 014 886	36.38	34.00	28.38	1.38	2.59	28	126.89



Standard IPS Bolt Rings PC 200

- Approval: GR 65/45/12
- Approval: ASTM A536
- Approval: FM 1613
- Approval: CL200



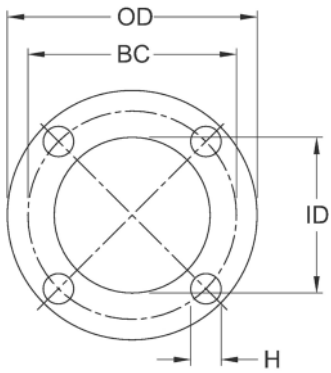
Size (inch)	Code	OD (inch)	BC (inch)	ID (inch)	H (inch)	T (inch)	Bolt Holes	Weight (lb)
12	360 014 846	18.94	17.00	13.00	1.00	1.25	12	22.40
14	360 014 851	20.94	18.75	14.38	1.13	1.38	12	28.99
16	360 014 856	23.38	21.25	16.38	1.13	1.63	16	39.74
18	360 014 861	24.88	22.75	18.38	1.25	1.70	16	43.33
20	360 014 869	27.38	25.00	20.38	1.25	1.84	20	54.16
24	360 014 878	31.88	29.50	24.38	1.38	2.16	20	81.70
30	360 014 890	38.63	36.00	30.38	1.38	2.47	28	132.70
32	360 014 893	41.63	38.50	32.38	1.63	2.56	28	160.55
34	360 014 895	43.63	40.50	34.38	1.63	2.88	32	186.62
36	360 014 898	45.84	42.75	36.38	1.63	3.00	32	216.27

Standard IPS Bolt Rings PC 125

- Approval: GR 65/45/12
 - Approval: ASTM A536
- Please call for more information on pricing, availability, other sizes and dimensions.



Size (inch)	Code	OD (inch)	BC (inch)	ID (inch)	H (inch)	T (inch)	Bolt Holes	Weight (lb)
30.00	360 014 889	38.63	36.00	30.38	1.38	2.28	28	116.13
36.00	360 014 897	45.84	42.75	36.38	1.63	2.75	32	192.56
42.00	360 014 901	52.88	49.50	42.38	1.63	3.25	36	274.53

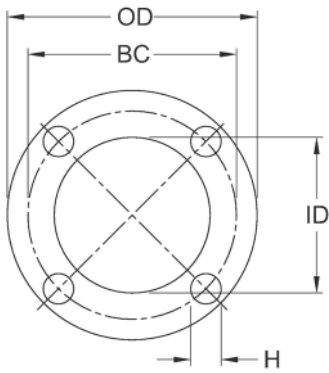


Standard IPS Bolt Rings PC 100

- Approval: GR 65/45/12
 - Approval: ASTM A536
- Please call for more information on pricing, availability, other sizes and dimensions.



Size (inch)	Code	OD (inch)	BC (inch)	ID (inch)	H (inch)	T (inch)	Bolt Holes	Weight (lb)
48.00	360 014 902	59.38	56.00	48.50	1.63	3.63	44	372.60
54.00	360 014 903	66.00	62.75	54.63	1.88	4.03	44	485.42



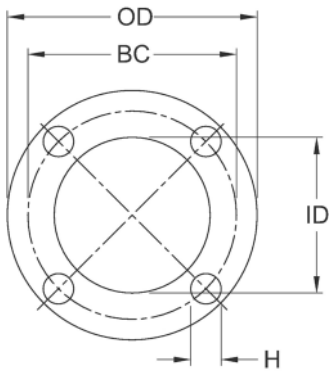
Epoxy Coated IPS Bolt Rings PC 335



- Approval: GR 65/45/12
- Approval: ASTM A536
- Approval: FM 1613 (indicated with *)
- Approval: CL335 (indicated with **)

Please call for more information on pricing, availability, other sizes and dimensions.

Size (inch)	Code	OD (inch)	BC (inch)	ID (inch)	H (inch)	T (inch)	Bolt Holes	FM	CL335	Weight (lb)
0.75	360 014 904	3.88	2.75	1.15	0.63	0.53	4			1.00
1.00	360 014 905	4.25	3.13	1.38	0.63	0.56	4			1.20
1.25	360 014 906	4.56	3.50	1.72	0.63	0.63	4			1.40
1.50	360 014 907	4.94	3.88	2.03	0.63	0.63	4			1.60
2.00	360 014 908	6.00	4.69	2.50	0.75	0.75	4	*	**	2.70
3.00	360 014 912	7.50	6.00	3.63	0.75	0.94	4	*	**	4.50
4.00	360 014 916	9.00	7.50	4.63	0.75	0.94	8	*	**	5.50
6.00	360 014 921	11.00	9.50	6.75	0.88	1.00	8	*	**	7.50
8.00	360 014 925	13.50	11.75	8.75	0.88	1.13	8	*	**	12.00
10.00	360 014 929	16.00	14.25	10.94	1.00	1.19	12	*	**	15.00
12.00	360 014 934	19.00	17.00	13.00	1.00	1.50	12	*	**	25.00
14.00	360 014 939	21.00	18.75	14.38	1.13	1.63	12	*	**	35.00
16.00	360 014 944	23.50	21.25	16.19	1.13	1.84	16	*	**	48.00
18.00	360 014 949	25.00	22.75	18.38	1.25	2.00	16	*	**	53.00
20.00	360 014 954	27.50	25.00	20.38	1.25	2.23	20	*	**	70.00
22.00	360 014 958	29.50	27.25	22.38	1.38	2.41	20	*	**	80.00
24.00	360 014 963	32.00	29.50	24.38	1.38	2.56	20	*	**	103.00



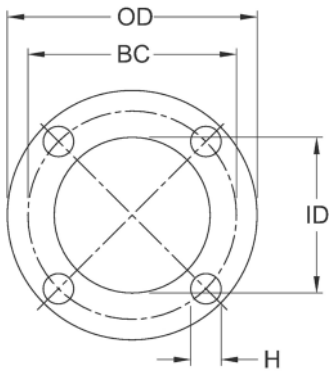
Epoxy Coated IPS Bolt Rings PC 250

- Approval: GR 65/45/12
- Approval: ASTM A536
- Approval: FM 1613
- Approval: CL250

Please call for more information on pricing, availability, other sizes and dimensions.



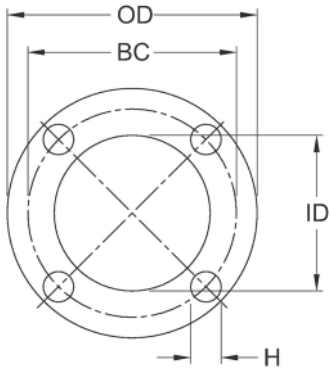
Size (inch)	Code	OD (inch)	BC (inch)	ID (inch)	H (inch)	T (inch)	Bolt Holes	Weight (lb)
28.00	360 014 967	34.25	31.75	26.38	1.38	2.50	24	109.00
28.00	360 014 970	36.50	34.00	28.38	1.38	2.59	28	130.00



Epoxy Coated IPS Bolt Rings PC 200

- Approval: GR 65/45/12
- Approval: ASTM A536
- Approval: FM 1613
- Approval: CL200

Please call for more information on pricing, availability, other sizes and dimensions.

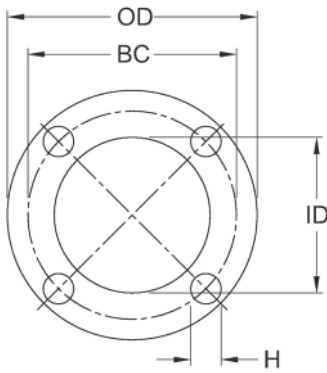


Size (inch)	Code	OD (inch)	BC (inch)	ID (inch)	H (inch)	T (inch)	Bolt Holes	Weight (lb)
12.00	360 014 933	19.00	17.00	13.00	1.00	1.25	12	24.00
14.00	360 014 938	21.00	18.75	14.38	1.13	1.00	16	29.00
16.00	360 014 943	23.50	21.25	16.19	1.13	1.38	16	39.00
18.00	360 014 948	25.00	22.75	18.38	1.25	1.63	16	42.00
20.00	360 014 953	27.50	25.00	20.38	1.25	1.70	20	57.00
24.00	360 014 962	32.00	29.50	24.38	1.38	1.84	20	80.00
30.00	360 014 974	38.75	36.00	30.38	1.38	2.47	28	139.00
32.00	360 014 977	61.75	38.50	32.38	1.68	2.56	28	165.00
34.00	360 014 979	63.75	40.50	34.38	1.68	2.88	32	191.00
36.00	360 014 982	46.00	42.75	36.38	1.68	3.00	32	214.00

Galvanized IPS Bolt Rings PC 335

- Approval: GR 65/45/12
- Approval: ASTM A536
- Approval: FM 1613 (indicated with *)
- Approval: CL335 (indicated with **)

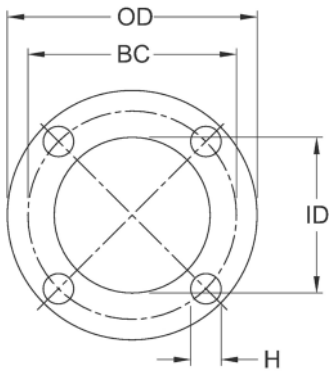
Please call for more information on pricing, availability, other sizes and dimensions.



Size (inch)	Code	OD (inch)	BC (inch)	ID (inch)	H (inch)	T (inch)	Bolt Holes	FM	CL335	Weight (lb)
0.75	360 014 987	3.88	2.75	1.15	0.63	0.53	4			1.00
1.00	360 014 988	4.25	3.13	1.38	0.63	0.56	4			1.20
1.50	360 014 990	4.94	3.88	2.03	0.63	0.69	4			1.60
2.00	360 014 991	6.00	4.69	2.50	0.75	0.75	4	*	**	2.70
3.00	360 014 995	7.50	6.00	3.63	0.75	0.94	4	*	**	4.50
4.00	360 014 999	9.00	7.50	4.63	0.75	0.94	8	*	**	5.50
5.00	360 015 003	9.88	8.50	5.69	0.88	0.94	8			5.75
6.00	360 015 004	11.00	8.50	6.75	0.88	1.00	8	*	**	7.50
8.00	360 015 008	13.50	9.50	8.75	0.88	1.30	8	*	**	12.00
10.00	360 015 012	16.00	11.75	10.94	1.00	1.19	12	*	**	15.00
12.00	360 015 017	19.00	14.25	13.00	1.00	1.50	12	*	**	25.00
14.00	360 015 022	21.00	17.00	14.38	1.13	1.63	12	*	**	35.00
16.00	360 015 027	23.50	18.75	16.19	1.13	1.84	16	*	**	48.00
18.00	360 015 032	25.00	21.25	18.38	1.25	2.00	16	*	**	53.00
20.00	360 015 037	27.50	22.75	20.38	1.25	2.23	20	*	**	70.00
22.00	360 015 041	29.50	25.00	22.38	1.38	2.41	20	*	**	80.00
24.00	360 015 046	32.00	27.25	24.38	1.38	2.56	20	*	**	103.00

Galvanized IPS Bolt Rings PC 200

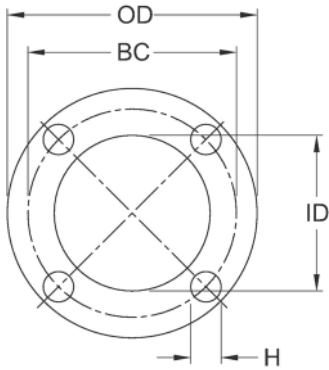
- Approval: GR 65/45/12
- Approval: ASTM A536
- Approval: FM 1613
- Approval: CL200



Size (inch)	Code	OD (inch)	BC (inch)	ID (inch)	H (inch)	T (inch)	Bolt Holes	Weight (lb)
12.00	360 015 016	19.00	14.25	13.00	1.00	1.25	12	24.00
14.00	360 015 021	21.00	17.00	14.38	1.13	1.38	12	29.00
16.00	360 015 026	23.50	18.75	16.19	1.13	1.63	16	39.00
18.00	360 015 031	25.00	21.25	18.38	1.25	1.70	16	42.00
20.00	360 015 036	27.50	22.75	20.38	1.25	1.84	20	57.00
24.00	360 015 045	32.00	27.25	24.38	1.38	2.16	20	80.00
30.00	360 015 057	38.75	36.00	30.38	1.38	2.47	28	139.00
32.00	360 015 060	41.75	38.50	32.38	1.63	2.56	28	165.00
34.00	360 015 062	43.75	40.50	34.38	1.63	2.88	32	191.00
36.00	360 015 065	46.00	42.75	36.38	1.63	3.00	32	214.00

Stainless IPS Bolt Rings PC 335

- Approval: FM 1613
- Approval: CL335
- Approval: ASTM A351-CF8M



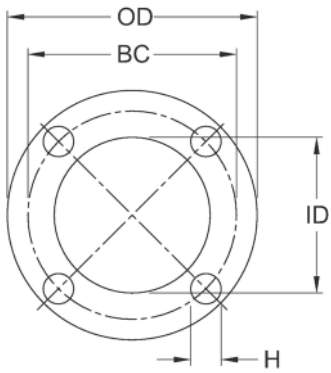
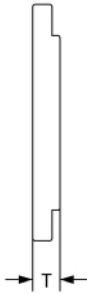
Size (inch)	Code	OD (inch)	BC (inch)	ID (inch)	H (inch)	T (inch)	Bolt Holes	Weight (lb)
2	360 015 074	5.94	4.69	2.50	0.75	0.75	4	2.34
3	360 015 078	7.44	6.00	3.63	0.75	0.94	4	3.94
4	360 015 082	8.94	7.50	4.63	0.75	0.94	8	5.32
6	360 015 087	10.88	9.50	6.75	0.88	1.00	8	7.39
8	360 015 091	13.38	11.75	8.75	0.88	1.13	8	11.80
10	360 015 095	15.88	14.25	10.94	1.00	1.19	12	15.85
12	360 015 099	18.88	17.00	13.00	1.00	1.50	12	26.68

Stainless IPS Bolt Rings PC 250

- Approval: ASTM A351-CF8M
Please call for more information on pricing, availability, other sizes and dimensions.

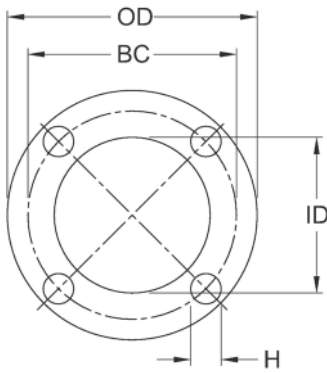


Size (inch)	Code	OD (inch)	BC (inch)	ID (inch)	H (inch)	T (inch)	Bolt Holes	Weight (lb)
26	360 015 127	34.13	31.75	26.38	1.38	2.50	24	117.85
28	360 015 130	36.38	24.00	28.38	1.38	2.59	28	138.24



Stainless IPS Bolt Rings PC 200

- Approval: ASTM A351-CF8M
- Please call for more information on pricing, availability, other sizes and dimensions.



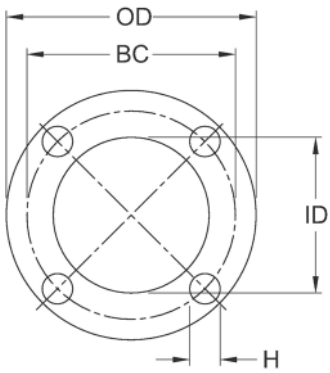
Size (inch)	Code	OD (inch)	BC (inch)	ID (inch)	H (inch)	T (inch)	Bolt Holes	Weight (lb)
14	360 015 103	20.94	18.75	14.38	1.13	1.38	12	30.78
16	360 015 107	23.38	21.25	16.38	1.13	1.63	16	42.19
18	360 015 111	24.88	22.75	18.38	1.25	1.70	16	46.00
20	360 015 115	27.38	25.00	20.38	1.25	1.84	20	57.50
22	360 015 119	29.38	27.25	22.38	1.38	2.03	20	68.70
24	360 015 123	31.88	29.50	24.38	1.38	2.16	20	86.76
30	360 015 133	38.63	36.00	30.38	1.38	2.47	28	143.27
32	360 015 136	41.63	38.50	32.38	1.63	2.56	28	176.33
36	360 015 141	45.84	42.75	36.38	1.63	3.00	32	233.47

Stainless IPS Bolt Rings PC 125

- Approval: ASTM A351-CF8M
Please call for more information on pricing, availability, other sizes and dimensions.



Size (inch)	Code	OD (inch)	BC (inch)	ID (inch)	H (inch)	T (inch)	Bolt Holes	Weight (lb)
42	360 015 143	52.88	49.50	42.38	1.63	3.25	36	296.30

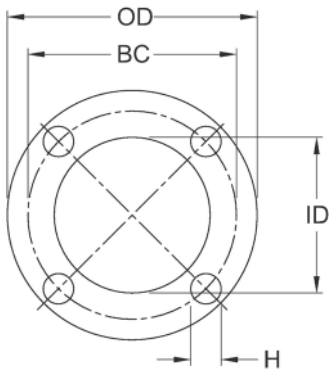
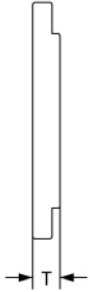


Stainless IPS Bolt Rings PC 100

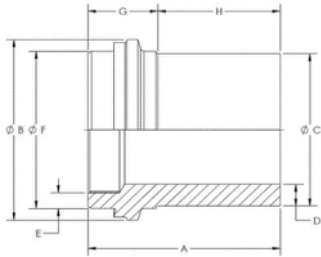
- Approval: ASTM A351-CF8M
- Please call for more information on pricing, availability, other sizes and dimensions.



Size (inch)	Code	OD (inch)	BC (inch)	ID (inch)	H (inch)	T (inch)	Bolt Holes	Weight (lb)
48	360 015 144	59.38	56.00	48.50	1.63	3.63	44	401.82
54	360 015 145	66.00	62.75	54.63	1.88	4.03	44	544.56



MJ Adapters



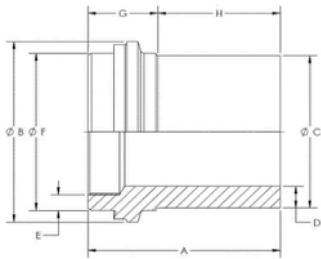
MJ Adapter - with Stiffener Fabricated IPS, DR7

- Approval: ASTM D3261
- Approval: AWWA C906
- Approval: NSF-61

Please call for more information on pricing, availability, other sizes and dimensions.

Size (inch)	SDR	Code	B (inch)	F (inch)	C (inch)	A (inch)	G (inch)	H (inch)	E (inch)	D (inch)	Weight (lb)
14	7	360 032 198	17.50	15.30	14.00	13.50	5.63	7.87	1.51	2.00	43.10
16	7	360 028 601	20.00	17.40	16.00	14.50	5.63	8.87	1.61	2.29	50.00
18	7		22.00	19.50	18.00	16.00	5.88	10.12	1.92	2.57	
20	7		24.00	21.60	20.00	16.50	6.13	10.37	2.13	2.86	
24	7	360 017 811	28.00	25.80	24.00	18.00	6.67	11.33	2.21	3.43	156.60

MJ Adapter – without Stiffener Fabricated IPS, DR9



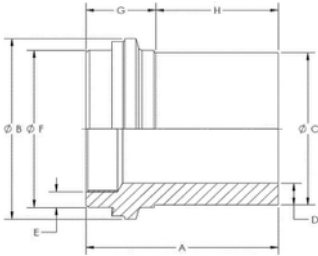
- Approval: ASTM D3261
- Approval: AWWA C906
- Approval: NSF-61

Size (inch)	SDR	Code	B (inch)	F (inch)	C (inch)	A (inch)	G (inch)	H (inch)	E (inch)	D (inch)	Weight (lb)
14	9	360 062 341	17.50	15.30	14.00	13.00	11.66	1.34	1.50	1.56	38.00
16	9	360 062 342	20.00	17.40	16.00	13.00	11.66	1.34	1.60	1.78	53.28
18	9	360 062 343	22.00	19.50	18.00	13.00	11.66	1.34	1.92	2.00	67.92
20	9	360 062 344	24.00	21.60	20.00	16.00	12.66	3.34	2.12	2.22	92.66
24	9	360 062 345	28.00	25.80	24.00	18.00	14.66	3.34	2.54	2.67	151.00

MJ Adapter – with Stiffener Fabricated IPS, DR9



- Approval: ASTM D3261
 - Approval: NSF-61
 - Approval: AWWA C901 (indicated with *)
 - Approval: AWWA C906 (indicated with **)
 - Approval: CL250 (indicated by ***)
- Please call for more information on pricing, availability, other sizes and dimensions.



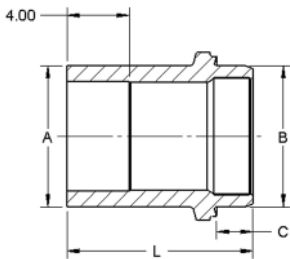
Size (inch)	SDR	Code
16	9	360 017 789
14	9	360 017 781
18	9	360 017 797
20	9	360 017 805
24	9	360 017 812

B (inch)	F (inch)	C (inch)	A (inch)	G (inch)	H (inch)	E (inch)	D (inch)	Weight (lb)	AWWA	CL250
17.50	17.40	16.00	13.00	11.66	1.34	1.60	1.78	56.50	**	***
20.00	15.30	14.00	13.00	11.66	1.34	1.50	1.56	41.50	**	
22.00	19.50	18.00	13.00	11.66	1.34	1.92	2.00	71.60	**	
24.00	21.60	20.00	16.00	12.66	3.34	2.12	2.22	97.00	**	
28.00	25.80	24.00	18.00	14.66	3.34	2.54	2.67	160.00	**	

**MJ ADAPTER - WITHOUT STIFFENER
PE4710
DIPS, DR11**



- Approval: ASTM D3261
- Approval: AWWA C906
- Approval: NSF-61

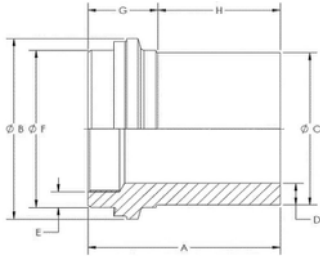


Size (inch)	GF Code	weight (lb)	A (inch)	B (inch)	C (inch)	L (inch)	Box Qty
3	360 003 461	1.7	3.96	3.96	2.25	9.00	2
4	360 003 463	3.0	4.80	4.80	2.25	10.25	4
6	360 003 465	6.0	6.90	6.90	2.25	13.11	4
8	360 003 466	10.8	9.05	9.05	2.25	14.00	1
10	360 022 230	17.6	11.10	11.10	2.25	13.56	1
12	360 003 482	22.8	13.20	13.20	2.25	13.00	1

MJ Adapter – without Stiffener Fabricated IPS, DR11



- Approval: ASTM D3261
 - Approval: NSF-61
 - Approval: AWWA C901 (indicated with *)
 - Approval: AWWA C906 (indicated with **)
- Please call for more information on pricing, availability, other sizes and dimensions.

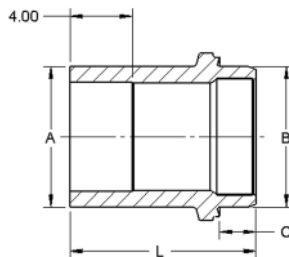


Size (inch)	SDR	Code	B (inch)	F (inch)	C (inch)	A (inch)	G (inch)	H (inch)	E (inch)	D (inch)	Weight (lb)	AWWA
14	11	360 017 783	17.50	15.30	14.00	13.00	11.66	1.34	1.50	1.27	37.40	**
16	11	360 017 791	20.00	17.40	16.00	13.00	11.66	1.34	1.60	1.46	46.00	**
18	11	360 017 799	22.00	19.50	18.00	13.00	11.66	1.34	1.92	1.64	61.50	**
20	11	360 017 807	24.00	21.60	20.00	16.00	12.66	3.34	2.12	1.82	87.50	**
24	11	360 017 814	28.00	25.80	24.00	18.00	14.66	3.34	2.55	2.18	124.00	**

MJ ADAPTER - WITH STIFFENER PE4710 DIPS, DR11



- Approval: ASTM D3261
- Approval: AWWA C906
- Approval: NSF-61

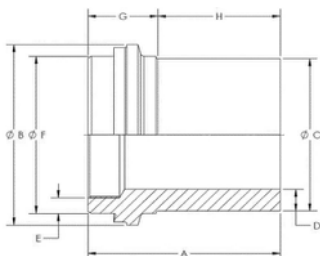


Size (inch)	GF Code	GF weight (lb)	A (inch)	B (inch)	C (inch)	L (inch)	Box Qty
3	360 029 090	2.8	3.96	3.96	1.75	9.00	2
4	360 022 237	3.4	4.80	4.80	1.75	10.25	4
6	360 022 240	6.8	6.90	6.90	1.75	11.31	4
8	360 003 504	11.8	9.05	9.05	1.75	11.94	1
10	360 029 081	19.7	11.10	11.10	1.75	13.56	1
12	360 022 233	24.6	13.20	13.20	1.75	13.00	1

MJ Adapter – with Stiffener Fabricated IPS, DR11



- Approval: ASTM D3261
 - Approval: AWWA C906
 - Approval: NSF-61
- Please call for more information on pricing, availability, other sizes and dimensions.

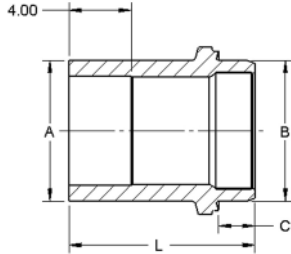


Size (inch)	SDR	Code	B (inch)	F (inch)	C (inch)	A (inch)	G (inch)	H (inch)	E (inch)	D (inch)	Weight (lb)
14	11	360 017 782	17.50	15.30	14.00	13.00	11.66	1.34	1.50	1.27	34.00
16	11	360 017 790	20.00	17.40	16.00	13.00	11.66	1.34	1.60	1.46	48.80
18	11	360 017 798	22.00	19.50	18.00	13.00	11.67	1.34	1.92	1.64	65.20
20	11	360 017 806	24.00	21.60	20.00	16.00	12.66	3.34	2.12	1.82	92.00
24	11	360 017 813	28.00	25.80	24.00	18.00	14.66	3.34	2.55	2.18	132.00



MJ ADAPTER - WITHOUT STIFFENER
PE4710
DIPS, DR17

- Approval: ASTM D3261
- Approval: AWWA C906
- Approval: NSF-61



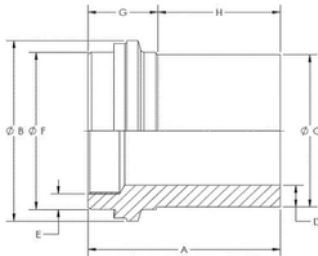
Size (inch)	GF weight Code	(lb)	A (inch)	B (inch)	C (inch)	L (inch)	Box Qty
4	360 001 930	2.8	4.80	4.80	2.25	10.25	4
6	360 022 241	5.8	6.90	6.90	2.25	11.31	4
8	360 003 503	9.8	9.05	9.05	2.25	12.00	1



MJ Adapter – without Stiffener Fabricated IPS, DR17

- Approval: ASTM D3261
- Approval: AWWA C906
- Approval: NSF-61

Please call for more information on pricing, availability, other sizes and dimensions.

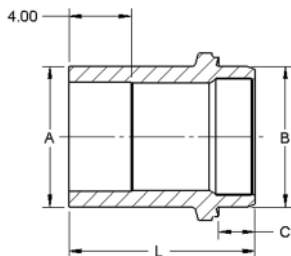


Size (inch)	SDR	Code	B (inch)	F (inch)	C (inch)	A (inch)	G (inch)	H (inch)	E (inch)	D (inch)	Weight (lb)
14	17	360 029 035	17.50	15.30	14.00	13.00	11.66	1.34	1.50	0.82	31.61
16	17	360 061 220	20.00	17.40	16.00	13.00	11.66	1.34	1.60	1.46	46.00
18	17	360 028 644	22.00	19.50	18.00	13.00	11.66	1.34	1.92	1.06	53.00
20	17	360 061 221	24.00	21.60	20.00	16.00	12.66	3.34	2.12	1.18	82.50
24	17	360 062 346	28.00	25.80	24.00	18.00	14.66	3.34	2.54	1.41	117.00



MJ ADAPTER - WITH STIFFENER
PE4710
DIPS, DR17

- Approval: ASTM D3261
- Approval: AWWA C906
- Approval: NSF-61



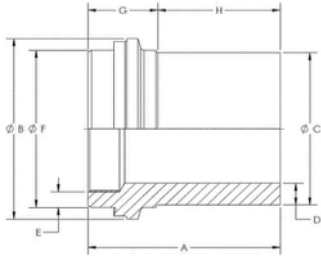
Size (inch)	GF weight Code	(lb)	A (inch)	B (inch)	C (inch)	L (inch)	Box Qty
4	360 001 931	3.3	4.80	4.80	2.34	10.25	4
6	360 029 096	5.2	6.90	6.90	1.75	11.31	4
8	360 029 101	10.0	9.05	9.05	2.25	12.00	1
10	360 001 783	13.5	11.10	11.10	2.34	13.56	1
12	360 029 088	23.0	13.20	13.20	2.25	13.00	1

MJ Adapter – with Stiffener Fabricated IPS, DR17



- Approval: ASTM D3261
- Approval: AWWA C906
- Approval: NSF-61

Please call for more information on pricing, availability, other sizes and dimensions.



Size (inch)	SDR	Code	B (inch)	F (inch)	C (inch)	A (inch)	G (inch)	H (inch)	E (inch)	D (inch)	Weight (lb)
14	17	360 017 784	17.50	15.30	14.00	13.00	11.66	1.34	1.50	0.82	34.70
16	17	360 017 792	20.00	17.40	16.00	13.00	11.66	1.34	1.60	0.94	42.60
18	17	360 017 800	22.00	19.50	18.00	13.00	11.66	1.34	1.92	1.06	56.30
20	17	360 017 808	24.00	21.60	20.00	16.00	12.66	3.34	2.12	1.18	86.80
24	17	360 017 816	28.00	25.80	24.00	18.00	14.66	3.34	2.54	1.41	123.00

IPS-DIPS Gland Kits

IPS-DIPS C110 Gland Kit

* Kit includes: Ductile iron gland ring, rubber gasket, T-bolts & hex nuts
 ** Includes: Black carbon steel ring

Size (inch)	Code	Bolts Per Kit	Bolt size	Note	Weight (lb)
2	360 014 221	4	5/8" x 4.0"	*	3.50
3	360 014 223	4	5/8" x 4.5"	*	5.96
4	360 014 225	4	3/4" x 4.5"	*	7.81
6	360 014 227	6	3/4" x 5"	*	12.18
8	360 014 229	6	3/4" x 5.5"	*	14.60
10	360 014 231	8	3/4" x 6"	*	18.98
12	360 014 233	8	3/4" x 6"	*	22.15
14	360 014 236	0		**	48.00
16	360 014 238	0		**	57.80
18	360 014 240	0		**	66.12
20	360 014 242	0		**	79.51
24	360 014 244	0		**	108.18

IPS-DIPS C153 Gland Kit

* Kit includes: Ductile iron gland ring, rubber gasket, T-bolts & hex nuts



Size (inch)	Code	Bolts Per Kit	Bolt size	Note	Weight (lb)
2	360 014 222	4	5/8" x 4.0"	*	3.50
3	360 014 224	4	5/8" x 4.5"	*	5.96
4	360 014 226	4	3/4" x 4.5"	*	7.81
6	360 014 228	6	3/4" x 5"	*	12.18
8	360 014 230	6	3/4" x 5.5"	*	14.60
10	360 014 232	8	3/4" x 6"	*	18.98
12	360 014 234	8	3/4" x 6"	*	22.15

IPS-DIPS Gland Kit

** Kit includes: Rubber gasket, T-bolts, heavy flat washers & hex nuts

Size (inch)	Code	Bolts Per Kit	Bolt size	Note	Weight (lb)
4	360 014 358		3/4" x 9.0"		
6	360 014 361		3/4" x 9.0"		
8	360 014 364		3/4" x 9.0"		
10	360 014 367		3/4" x 9.0"		
14	360 014 235		3/4" x 7.0"	**	14.14
16	360 014 237		3/4" x 7.0"	**	16.54
18	360 014 239		3/4" x 7.0"	**	16.69
20	360 014 241		3/4" x 7.0"	**	19.70
24	360 014 243		3/4" x 7.0"	**	22.44

IPS HDPE Butt Fusion Saddle Fittings

IPS HDPE Butt Fusion Saddle Fittings	Page
	Branch Saddles 72
	Service Saddles 76

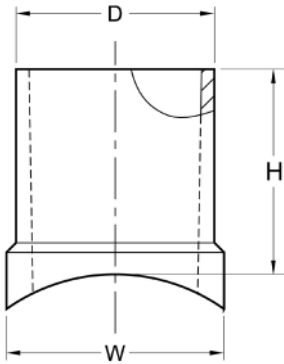
Branch Saddles



SADDLE FITTINGS: Round Base Branch Saddle PE4710 IPS x IPS, DR9.3

Please call for more information on pricing, availability, other sizes and dimensions.

- Approval: ASTM D2513
- Approval: NSF-61
- Approval: AWWA C906
- Approval: ASTM D3261
- Approval: FM 1613 CL250 (indicated with *)

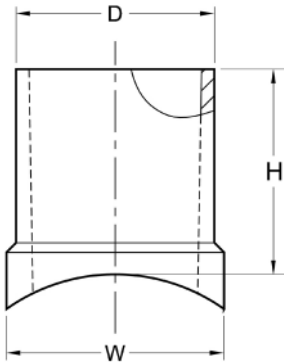


Main Size (inch)	Outlet (inch)	Code	weight (lb)	H (inch)	W (inch)	D (inch)	FM	Box Qty
6	2	360 000 605	0.2	3.00	2.63	2		30
8	2	360 000 618	0.2	3.00	2.63	2		30
18	2	360 003 588	0.2	3.00	2.63	2		30
4	4	360 000 595	1.2	4.00	4.80	5		10
8	4	360 000 625		4.00	4.80	5	*	10
16	4	360 003 603	1.1	4.00	4.80	5		10
26	4	360 000 571	1.6	4.00	4.80	5		10



SADDLE FITTINGS: Round Base Branch Saddle PE4710 IPS x IPS, 8", DR9

- Approval: ASTM D2513
- Approval: ASTM D3261
- Approval: AWWA C906
- Approval: NSF-61



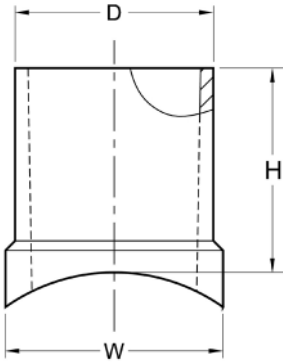
Main Size (inch)	GF Code	weight (lb)	H (inch)	W (inch)	D (inch)	Box Qty
12	360 003 618	8.0	7.97	9.00	8.62	5



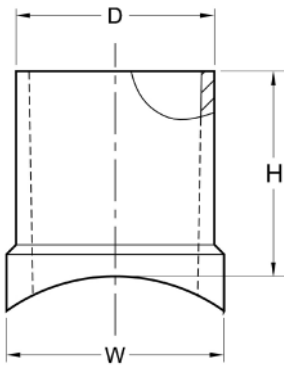
SADDLE FITTINGS: Round Base Branch Saddle PE4710 IPS x IPS, DR11

Please call for more information on pricing, availability, other sizes and dimensions.

- Approval: ASTM D2513
- Approval: NSF-61
- Approval: AWWA C906
- Approval: ASTM D3261



Main Size	Outlet	Code	weight	H	W	D	Box Qty
(inch)	(inch)		(lb)	(inch)	(inch)	(inch)	
2	2	360 003 581	0.3	3.00	2.63	2.37	30
3	2	360 000 572	0.2	3.00	2.63	2.37	30
4	2	360 000 586	0.2	3.00	2.63	2.37	30
6	2	360 000 601	0.2	3.00	2.63	2.37	30
8	2	360 000 614	0.2	3.00	2.63	2.37	30
10	2	360 003 583	0.2	3.00	2.63	2.37	30
12	2	360 003 049	0.2	3.00	2.63	2.37	30
14	2	360 003 586	0.2	3.00	2.63	2.37	30
16	2	360 003 587	0.2	3.00	2.63	2.37	30
18	2	360 003 589	0.2	3.00	2.63	2.37	30
22	2	360 093 842	0.2	3.00	2.63	2.37	30
24	2	360 000 565	0.2	3.00	2.63	2.37	30
26	3	360 093 841	0.2	3.00	2.63	2.37	30
4	3	360 000 592	0.7	4.00	3.88	3.50	18
6	3	360 000 607	0.6	4.00	3.88	3.50	18
8	3	360 000 620	0.6	4.00	3.88	3.50	18
10	3	360 003 590	0.7	4.00	3.88	3.50	18
12	3	360 003 592	0.6	4.00	3.88	3.50	18
14	3	360 003 594	0.6	4.00	3.88	3.50	10
16	3	360 003 595	0.7	4.00	3.88	3.50	10
18	3	360 003 596	0.6	4.00	3.88	3.50	10
20	3	360 003 597	0.7	4.00	3.88	3.50	10
24	3	360 000 566	0.6	4.00	3.88	3.50	10
26	3	360 093 841	0.2	3.00	2.63	2.37	30
6	4	360 000 609	1.0	4.00	4.80	4.50	10
8	4	360 000 622	1.1	4.00	4.80	4.50	10
10	4	360 003 599	1.1	4.00	4.80	4.50	10
12	4	360 003 600	1.3	4.00	4.80	4.50	10
14	4	360 003 602	1.0	4.00	4.88	4.50	10
16	4	360 003 604	1.2	4.00	4.88	4.50	10
18	4	360 003 605	1.0	4.00	4.88	4.50	10
20	4	360 003 606	1.0	4.00	4.88	4.50	10
24	4	360 000 567	2.0	4.00	4.88	4.50	10
30	4	360 000 580	2.0	4.00	4.88	4.50	10
36	4	360 000 583	2.0	4.00	4.88	4.50	10
48	4	360 000 597	2.0	4.00	4.88	4.50	10
8	6	360 000 626	1.2	5.13	6.81	6.62	5
10	6	360 003 607	6.7	5.13	6.81	6.62	5
12	6	360 003 608	6.2	5.13	6.81	6.62	5
14	6	360 003 610	7.1	5.13	6.81	6.62	5
16	6	360 003 613	6.3	5.13	6.81	6.62	5
18	6	360 003 615	6.3	5.13	6.81	6.62	5
20	6	360 003 616	3.0	5.13	6.81	6.62	5
22	6	360 000 563	3.0	5.13	6.81	6.62	5
24	6	360 000 568	2.8	5.13	6.81	6.62	5
30	6	360 000 581	3.0	5.13	6.81	6.62	5
36	6	360 000 584	3.0	5.13	6.81	6.62	5
10	8	360 003 617	7.2	7.97	9.00	8.62	5
12	8	360 003 619	7.3	7.97	9.00	8.62	5
14	8	360 003 620	7.4	7.97	9.00	8.62	5
16	8	360 003 621	7.9	7.97	9.00	8.62	5
18	8	360 003 622	7.0	7.97	9.00	8.62	5
20	8	360 000 562	7.1	7.97	9.00	8.62	5
24	8	360 000 569	6.9	7.97	9.00	8.62	5
36	8	360 000 585	7.6	7.97	9.00	8.62	5



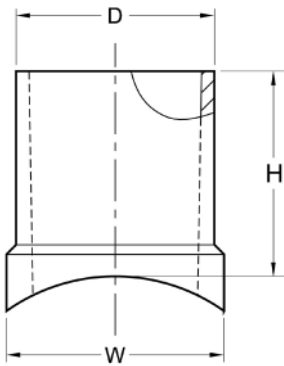
Main Size (inch)	Outlet (inch)	Code	weight (lb)	H (inch)	W (inch)	D (inch)	Box Qty
48	8	360 000 599	7.5	7.97	9.00	8.62	
16	12	360 003 623	20.0	9.47	13.35	12.75	1
18	12	360 003 624	20.0	9.47	13.35	12.75	1
20	12	360 003 625	20.0	9.47	13.35	12.75	1
24	12	360 000 564	20.0	9.47	13.35	12.75	1
36	12	360 000 582	19.8	9.47	13.35	12.75	1
48	12	360 000 596	19.7	9.47	13.35	12.75	1



SADDLE FITTINGS: Round Base Branch Saddle PE4710 IPS x IPS, DR17

Please call for more information on pricing, availability, other sizes and dimensions.

- Approval: ASTM D2513
- Approval: NSF-61
- Approval: AWWA C906
- Approval: ASTM D3261



Main Size (inch)	Outlet (inch)	Code	weight (lb)	H (inch)	W (inch)	D (inch)	Box Qty
4	2	360 000 590	0.2	3.00	2.63	2.37	30
6	2	360 000 604	1.0	3.00	2.63	2.37	30
8	2	360 000 617	0.2	3.00	2.63	2.37	30
10	2	360 003 584	1.0	3.00	2.63	2.37	30
12	2	360 003 585	0.2	3.00	2.63	2.37	30
6	3	360 000 608	0.6	4.00	3.88	3.50	10
8	3	360 000 621	0.6	4.00	3.88	3.50	10
10	3	360 003 591	0.7	4.00	3.88	3.50	10
12	3	360 003 593	0.7	4.00	3.88	3.50	10
6	4	360 000 610	0.9	4.00	4.80	4.50	10
8	4	360 000 624	1.0	4.00	4.80	4.50	10
10	4	360 003 117	1.0	4.00	4.80	4.50	10
12	4	360 003 601	1.0	4.00	4.80	4.50	10
8	6	360 000 629	3.0	5.13	6.81	6.62	5
10	6	360 003 048	3.0	5.13	6.81	6.62	5
12	6	360 003 609	3.0	5.13	6.81	6.62	5
14	6	360 003 611	2.6	5.13	6.81	6.62	5
16	6	360 003 614	3.1	5.13	6.81	6.62	5

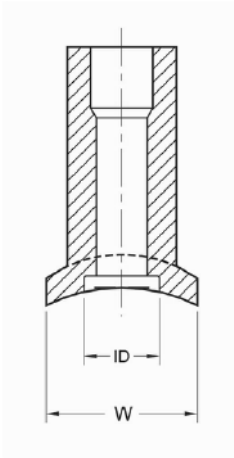
Service Saddles



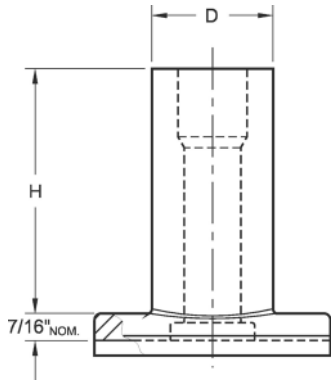
SADDLE FITTINGS: Service Saddle with Butt Outlet PE4710 IPS, DR9.3

Please call for more information on pricing, availability, other sizes and dimensions.

- Approval: ASTM D2513
- Approval: NSF-61
- Approval: AWWA C906
- Approval: ASTM D3261
- Also available with 12" sleeves.



Main Size (inch)	Size (inch)	Code	weight (lb)	H (inch)	W (inch)	ID (inch)	D (inch)	Box Qty
1 ¼	¾	360 002 245	0.1	1.81	1.76	0.79	1.05	100
1 ½	¾	360 002 255	0.1	1.81	1.76	0.79	1.05	100
2	¾	360 002 275	0.1	1.81	1.76	0.79	1.05	100
3	¾	360 002 297	0.1	1.81	1.76	0.79	1.05	100
4	¾	360 002 318	0.1	1.81	1.76	0.79	1.05	100
1 ¼	1	360 002 251	0.2	1.81	1.73	0.88	1.31	100
1 ½	1	360 002 262	0.2	1.81	1.73	0.88	1.31	100
2	1	360 002 282	0.2	1.81	1.73	0.88	1.31	100
3	1	360 002 302	0.2	1.81	1.73	0.88	1.31	100
4	1	360 002 324	0.2	1.81	1.73	0.88	1.31	100
2	1 ½	360 002 287	0.1	2.97	2.13	1.62	1.90	30
3	1 ½	360 002 308	0.1	2.97	2.13	1.62	1.90	30
4	1 ½	360 002 328	0.1	2.97	2.13	1.62	1.90	30
6	1 ½	360 002 347	0.1	2.97	2.13	1.62	1.90	30

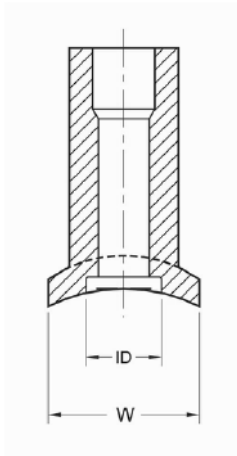


SADDLE FITTINGS: Service Saddle with Butt Outlet PE4710 IPS, DR11

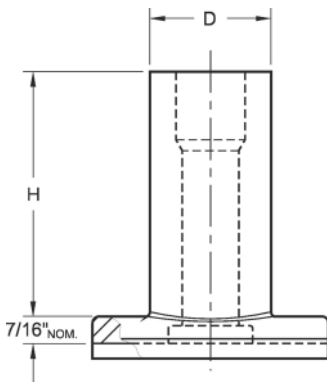


Please call for more information on pricing, availability, other sizes and dimensions.

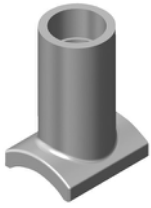
- Approval: ASTM D2513
- Approval: NSF-61
- Approval: AWWA C906
- Approval: ASTM D3261
- Also available with 12" sleeves.



Main Size (inch)	Size (inch)	Code	weight (lb)	H (inch)	W (inch)	ID (inch)	D (inch)	Box Qty
1 1/4	3/4	360 002 244	0.1	1.81	1.73	0.66	1.05	100
1 1/2	3/4	360 002 253	0.1	1.81	1.73	0.66	1.05	100
2	3/4	360 002 274	0.1	1.81	1.73	0.66	1.05	100
3	3/4	360 002 296	0.1	1.81	1.73	0.66	1.05	100
4	3/4	360 002 317	0.1	1.81	1.73	0.66	1.05	100
1 1/4	1	360 002 250	0.1	1.81	1.73	0.88	1.31	100
2	1	360 002 280	0.1	1.81	1.73	0.88	1.31	100
3	1	360 002 301	0.1	1.81	1.73	0.88	1.31	100
4	1	360 002 322	0.1	1.81	1.73	0.88	1.31	100
6	1	360 002 341	0.1	1.81	1.73	0.88	1.31	100
8	1 1/4	360 002 353	0.1	3.69	2.00	1.05	1.66	50
10	1 1/4	360 002 267	0.1	3.69	2.00	1.05	1.66	50

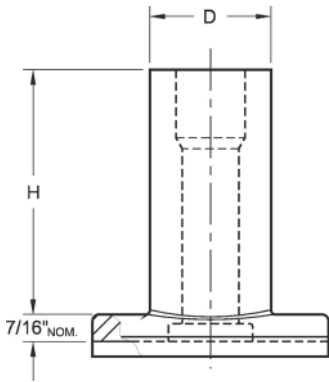
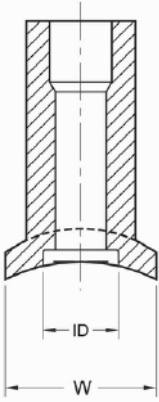


SADDLE FITTINGS: Service Saddle with Combo Outlet
PE4710
3/4" IPS BUTT, 1/2" IPS Socket



- Also available with 12" sleeves.
- Approval: ASTM D2513
- Approval: ASTM D3261
- Approval: ASTM D2683
- Approval: AWWA C906
- Approval: NSF-61

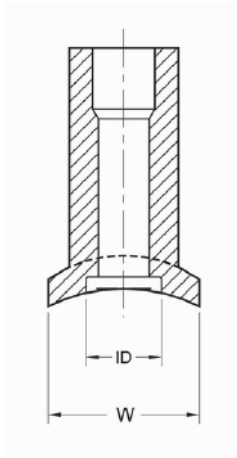
Base Size (inch)	GF weight Code	(lb)	H (inch)	W (inch)	ID (inch)	D (inch)	L (inch)	Box Qty
1 ¼	360 002 246	0.1	2.83	2.00	0.79	1.05	2.83	100
1 ½	360 002 257	0.1	2.83	2.00	0.79	1.05	2.83	100
2	360 002 276	0.1	2.83	2.00	0.79	1.05	2.83	100
3	360 002 298	0.1	2.83	2.00	0.79	1.05	2.44	100
4	360 002 319	0.1	2.83	2.00	0.79	1.05	2.44	100
6	360 002 336	0.1	2.83	2.00	0.79	1.05	2.44	100
8	360 002 351	0.1	2.83	2.00	0.79	1.05	2.44	100



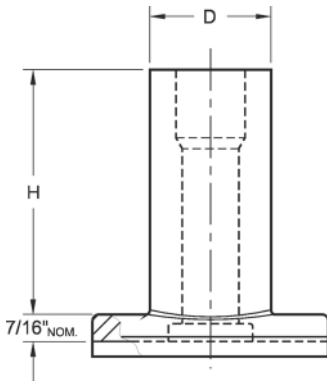
SADDLE FITTINGS: Service Saddle with Combo Outlet
PE4710
1" IPS BUTT, 3/4" IPS Socket



- Also available with 12" sleeves.
- Approval: ASTM D2513
- Approval: ASTM D3261
- Approval: ASTM D2683
- Approval: AWWA C906
- Approval: NSF-61



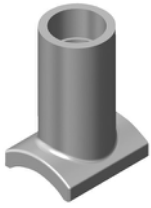
Base Size (inch)	GF weight Code	(lb)	H (inch)	W (inch)	ID (inch)	D (inch)	L (inch)	Box Qty
1 ¼	360 002 252	0.1	2.83	2.00	0.94	1.31	2.44	100
1 ½	360 002 265	0.1	2.83	2.00	0.94	1.31	2.44	100
2	360 002 288	0.1	2.83	2.00	0.94	1.31	2.44	100
3	360 002 309	0.2	2.83	2.00	0.94	1.31	2.44	100
4	360 002 329	0.1	2.83	2.00	0.94	1.31	2.44	100
6	360 002 348	0.1	2.83	2.00	0.94	1.31	2.44	100
8	360 002 354	0.1	2.83	2.00	0.94	1.31	2.44	100



SADDLE FITTINGS: Service Saddle with Combo Outlet

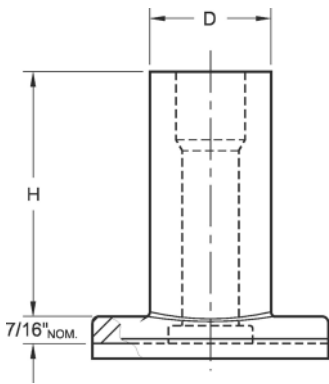
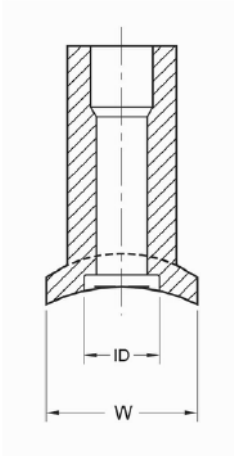
PE4710

1 1/4" IPS BUTT, 1" IPS Socket



- Also available with 12" sleeves.
- Approval: ASTM D2513
- Approval: ASTM D3261
- Approval: AWWA C906
- Approval: NSF-61

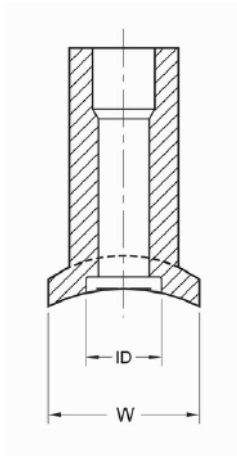
Base Size (inch)	GF weight Code	(lb)	H (inch)	W (inch)	ID (inch)	D (inch)	Box Qty
1 1/2	360 002 264	0.2	2.83	2.00	1.05	1.66	50
2	360 002 286	0.2	2.83	2.00	1.05	1.66	50
3	360 002 307	0.2	2.83	2.00	1.05	1.66	50
4	360 002 327	0.2	2.83	2.00	1.05	1.66	50
6	360 002 346	0.2	2.83	2.00	1.05	1.66	50



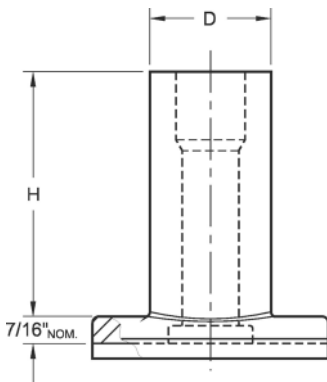


**SADDLE FITTINGS: Service Saddle with Socket Outlet
PE4710
1" IPS**

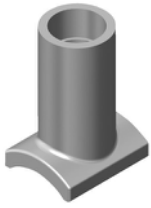
- Also available with 12" sleeves.
- Approval: ASTM D2513
- Approval: ASTM D2683
- Approval: AWWA C906
- Approval: NSF-61



Base Size (inch)	GF Code	weight (lb)	H (inch)	W (inch)	ID (inch)	D (inch)	Box Qty
1 ¼	360 002 247	0.2	2.83	2.00	1.05	1.68	50
1 ½	360 002 259	0.2	2.83	2.00	1.05	1.68	50
2	360 002 278	0.2	2.83	2.00	1.05	1.68	50
3	360 002 300	0.2	2.83	2.00	1.05	1.68	50
4	360 002 321	0.2	2.83	2.00	1.05	1.68	50
6	360 002 339	0.2	2.83	2.00	1.05	1.68	50
8	360 002 352	0.2	2.83	2.00	1.05	1.68	50

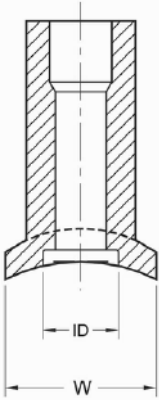


SADDLE FITTINGS: Service Saddle with Socket Outlet
PE3408/PE4710
1 1/4" IPS

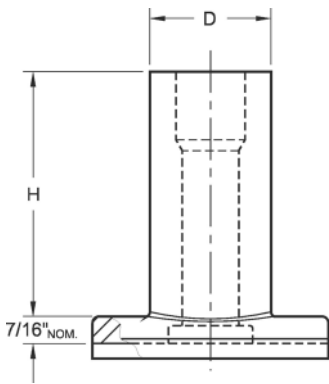


- Also available with 12" sleeves.
- Approval: ASTM D2513
- Approval: ASTM D2683
- Approval: AWWA C906
- Approval: NSF-61

Please call for more information on pricing, availability, other sizes and dimensions.



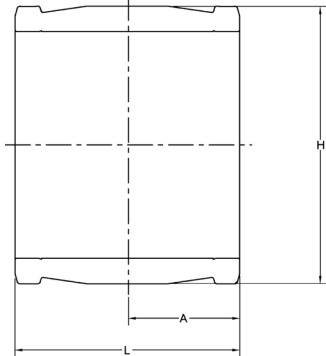
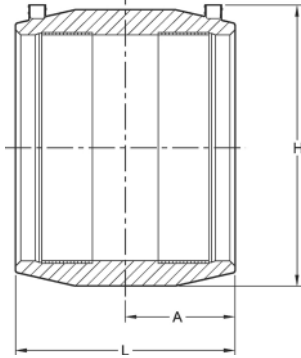
Base Size (inch)	GF weight Code	(lb)	H (inch)	W (inch)	ID (inch)	D (inch)	L (inch)	Box Qty
2	360 002 284	0.331	2.16	2.37	1.37	2.45	2.94	50
3	360 002 304	0.340	2.16	2.37	1.37	2.45	2.94	50
4	360 002 325	0.340	2.16	2.37	1.37	2.45	2.94	50
6	360 002 343	0.300	2.16	2.37	1.37	2.45	2.94	50



IPS HDPE Electrofusion Fittings

IPS HDPE Electrofusion Fittings	Page
	EF Couplings 83
	EF Large Diameter Couplings 84
	EF Flex Restraints 85
	EF End Caps 86
	EF Reducers 87

EF Couplers



ELECTROFUSION COUPLING PE4710 CTS/IPS

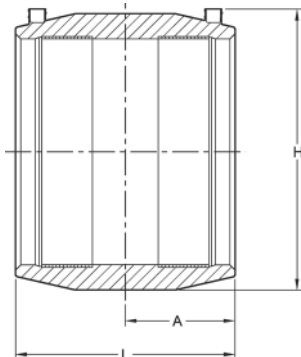
- Pin Type: 4.7R (4.7 Pin with Resistor)
- Approval: ASTM D2513
- Approval: ASTM F1055
- Approval: AWWA C906
- Approval: NSF-61
- *Approval: FM 1613; FM CL200; NSF-61
- **Approval: FM 1613; FM CL250; NSF-61

Note: Operating pressure is 200 psi for PE4710 couplings in allowable applications.

* Industrial Non-Compliant ASTM Fittings

** For use with Bar-Code Processor Only

<...>	Size (inch)	GF weight Code	(lb)	H (inch)	L (inch)	A (inch)	Box Qty
	1/2 CTS	360 000 883	0.1	2.01	3.15	1.36	50
	3/4 CTS	360 000 887	0.1	2.15	2.98	1.42	40
	1 CTS	360 000 891	0.2	2.32	2.84	1.36	25
	1-1/4 CTS	360 000 895	0.2	2.56	3.30	1.57	30
*	2 CTS	360 000 919	0.5	3.59	4.37	2.12	40
	1/2 IPS	360 000 885	0.1	2.15	2.98	1.42	40
	3/4 IPS	360 000 889	0.2	2.48	2.84	1.36	25
	1 IPS	360 000 893	0.1	2.56	3.30	1.57	25
	1-1/2 IPS	360 000 899	0.3	3.27	3.90	1.89	35
	1-1/4 IPS	360 000 897	0.3	3.00	3.70	1.82	50
	2 IPS	360 000 920	0.4	3.82	4.31	2.09	25
	3 IPS	360 000 933	1.2	5.18	5.59	2.72	36
**	4 IPS	360 000 936	1.7	6.51	6.14	3.00	10
	6 IPS	360 021 241	4.1	8.70	8.35	4.10	8
**	6 IPS	360 000 939	4.5	8.70	8.35	4.10	8
	7 IPS	360 000 942	5.0	8.93	8.19	4.09	8
**	8 IPS	360 000 944	8.5	11.20	9.48	4.70	4
*	10 IPS	360 000 902	15.7	13.41	10.50	5.00	1
**	10 IPS	360 000 903	15.2	13.41	10.50	5.00	1
*	12 IPS	360 000 905	23.1	15.84	11.50	5.50	1
**	12 IPS	360 000 906	23.9	15.84	11.50	5.50	1



ELECTROFUSION LARGE DIAMETER COUPLING PE4710 IPS/DIPS

- Pin Type: 4.7S (4.7 Solid Pin)
- Approval: ASTM F1055
- Approval: NSF-61
- *Approval: ASTM D2513; AWWA C906
- **Approval: ASTM D2513; AWWA C906; FM1613; CL200
- ***Approval: AWWA C906

Note: Operating pressure is 200 psi for PE4710 couplings in allowable applications.

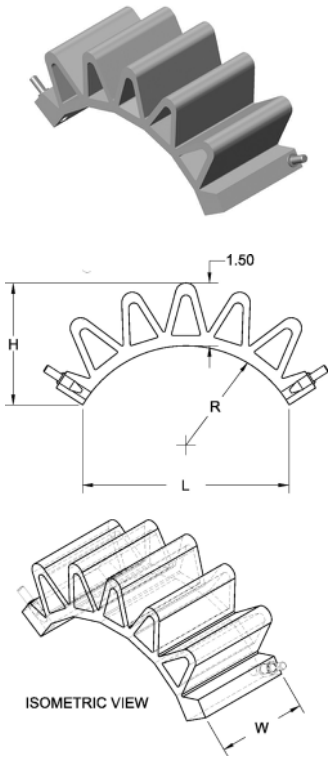
Note: Large diameter couplings are available only to approved distributors.

<...>	Size (inch)	GF weight Code	(lb)	H (inch)	L (inch)	A (inch)	Box Qty
**	14 IPS	360 000 909	35.2	17.24	12.13	6.06	1
**	16 IPS	360 000 913	47.1	19.65	13.54	6.77	1
**	18 IPS	360 000 917	65.6	22.13	14.96	7.48	1
**	20 IPS	360 000 924	91.0	24.57	16.46	8.23	1
**	22 IPS	360 000 926	118.0	27.21	17.95	8.98	1
**	24 IPS	360 000 930	177.0	30.59	19.50	9.75	1

ELECTROFUSION FITTINGS: Flex Restraint PE4710
Main Size 6" - 63", N-Ratchet Strap Clamp
Axial Resistance - 9,000 lbs.

- Pin Type: 4.7S (4.7 Solid Pin)
- Note: Works on solid wall pipe 6" IPS and larger.

GF Code	weight (lb)	H (inch)	W (inch)	L (inch)	Box Qty
360 000 070	0.4	2.91	2.56	4.92	40
360 021 381	0.4	2.91	2.56	4.92	40

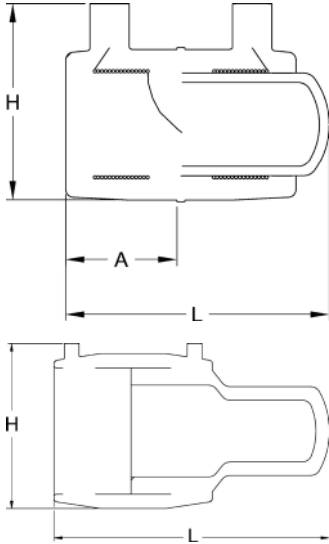


EF Caps



ELECTROFUSION CAP PE4710

- Pin Type: 4.7R (4.7 Pin with Resistor)
- Approval: ASTM D2513
- Approval: ASTM F1055
- Approval: AWWA C906



Size (inch)	GF Code	weight (lb)	H (inch)	L (inch)	A (inch)	Box Qty
1/2 CTS	360 004 294	0.1	1.87	3.15	1.36	40
1 CTS	360 000 861	0.2	2.32	2.98	1.36	40
1 1/4 CTS	360 000 864	0.2	2.56	4.82	1.87	30
3/4 IPS	360 000 860	0.2	2.32	3.52	1.36	50
1 IPS	360 000 862	0.2	2.56	3.82	1.57	40
1 1/4 IPS	360 000 866	0.4	3.00	5.13	1.82	40
1 1/4 IPS	360 003 700	0.6	3.00	5.13	1.82	30
2 IPS	360 000 869	0.6	3.82	4.94	2.09	25
3 IPS	360 000 871	2.1	5.18	10.30	2.72	10
4 IPS	360 000 874	3.1	6.51	10.89	3.00	4
6 IPS	360 000 876	8.9	8.70	14.71	4.10	4
8 IPS	360 000 879	7.0	11.20	15.61	4.70	1
12 IPS	360 000 868	42.0	15.70	17.68	5.75	1

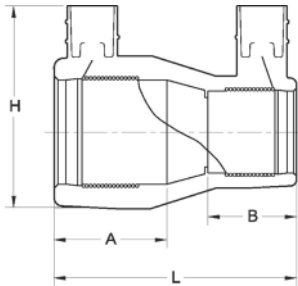
EF Reducers



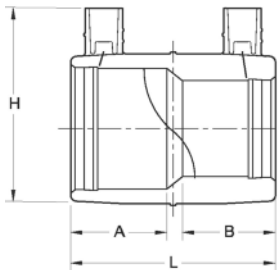
ELECTROFUSION REDUCER PE4710 CTS/IPS

- Pin Type: 4.7R (4.7 Pin with Resistor)
- Approval: ASTM D2513
- Approval: ASTM F1055
- Approval: AWWA C906

Kit consists of the electrofusion coupling and one butt fusion reducer. Please call for more information on availability, pricing, other sizes and dimensions. The products listed are standard stocking options. However, GF Central Plastics offers thousands of different configurations as well as custom innovative structures.





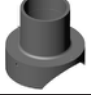


STYLE #1



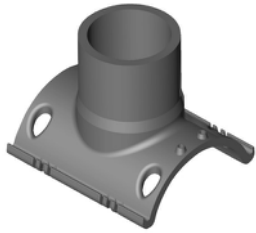
STYLE #2

Max Size (inch)	Min Size (inch)	GF Code	weight (lb)	Style	H (inch)	L (inch)	A (inch)	B (inch)	Box Qty
1 CTS	3/4 IPS	360 001 067	0.2	2	2.50	3.28	1.47	1.55	40
1 1/4 CTS	1 IPS	360 001 078	0.2	2	2.56	3.30	1.55	1.55	30
3/4 IPS	1/2 CTS	360 001 061	0.1	1	2.50	3.28	1.25	1.47	40
1 IPS	1/2 CTS	360 001 069	0.2	1	2.60	3.28	1.46	1.46	30
1 IPS	1 CTS	360 001 075	0.2	1	2.63	3.28	1.42	1.43	30
1 1/4 IPS	1 CTS	360 001 080	0.3	2	3.00	3.70	1.88	1.57	40
3/4 IPS	1/2 IPS	360 021 360	0.1	1	2.50	3.28	1.25	1.47	40
1 IPS	1/2 IPS	360 001 071	0.1	1	2.60	3.28	1.46	1.53	30
1 1/4 IPS	1 IPS	360 001 081	0.3	2	3.00	3.71	1.88	1.57	40
1 IPS	3/4 IPS	360 001 073	0.2	1	2.63	3.28	1.42	1.43	30
2 IPS	1 1/4 IPS	360 021 371	0.6	1	3.90	4.60	2.39	1.66	25
2 IPS	1 1/4 IPS	360 001 084	1.1	1	3.90	4.60	2.39	1.66	25
4 IPS	3 IPS	360 001 091	4.0						20

IPS HDPE Electrofusion Saddle Fittings

IPS HDPE Electrofusion Saddle Fittings		Page
	EF Branch Saddles	88
	EF Full Pressure Saddles	91
	EF Low Pressure Saddles	94
	EF Gasketed Sewer Saddles	95
	EF Brass Transition Saddles	96
	EF Stainless Steel Transition Saddles	97
	EF Corp Saddles	98

EF Branch Saddles

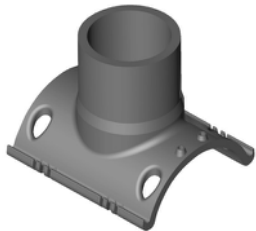
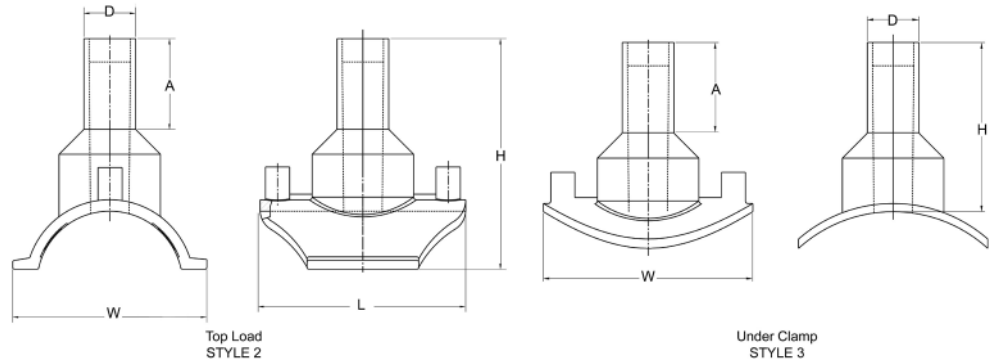


ELECTROFUSION BRANCH SADDLE PE4710 IPS, DR9

- Pin Type: 4.7S (4.7 Solid Pin)
- Approval: ASTM D2513
- Approval: ASTM F1055
- Approval: NSF-61
- Approval: AWWA C906

Please call for more information on pricing, availability, other sizes and dimensions.

Main Size	Outlet	Code	weight	A	D	H	W	L	Style	Box Qty
(inch)	(inch)		(lb)	(inch)	(inch)	(inch)	(inch)	(inch)		
6 IPS	4	360 000 778	4.0	2.19	4.50	7.20	9.63	9.13	3	8



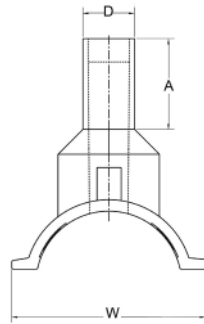
ELECTROFUSION BRANCH SADDLE PE4710 IPS, DR11

- Pin Type: 4.7R (4.7 with Resistor) - Denoted by *
- Pin Type: 4.7S (4.7 Solid Pin) - Denoted by **

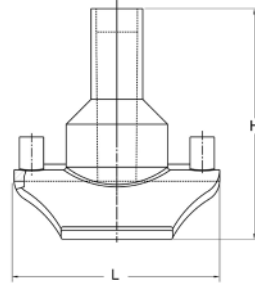
Please call for more information on pricing, availability, other sizes and dimensions.

Main Size	Outlet	Code	weight	A	D	H	W	L	Pin	Style	Box Qty
(inch)	(inch)		(lb)	(inch)	(inch)	(inch)	(inch)	(inch)			
2 IPS	1 1/2	360 021 156	0.5	2.88	1.66	6.65	3.59	6.63	**	3	8
2 IPS	2	360 000 759	0.8	3.28	2.37	6.65	3.59	6.63	*	3	40
3 IPS	2	360 000 763	1.0	3.28	2.37	6.65	4.60	6.63	*	3	40
3 IPS	2	360 003 705	1.1	3.28	2.37	6.65	4.60	6.63	*	3	40
4 IPS/DIPS	2	360 000 772	1.1	3.28	2.37	7.27	6.26	6.63	*	3	30
4 IPS	2	360 021 157	1.3	3.28	2.37	7.27	6.26	6.63	*	3	30
6 IPS/DIPS	2	360 000 780	1.3	3.28	2.37	8.43	8.68	6.63	*	3	25
6 IPS	2	360 021 160	1.3	3.28	2.37	8.43	8.68	6.63	*	3	30
8 IPS	2	360 000 785	1.0	3.28	2.37	5.29	6.75	5.90	**	2	30
10 IPS	2	360 000 741	1.2	3.28	2.37	5.56	6.75		**	2	30
12 IPS	2	360 000 751	1.0	3.28	2.37	5.73	6.75		**	2	20
14 IPS	2	360 061 610	1.0	3.28	3.27	7.00	6.75		**	2	30
16 IPS	2	360 060 180	1.0	3.28	3.27	8.00	6.75		**	2	30

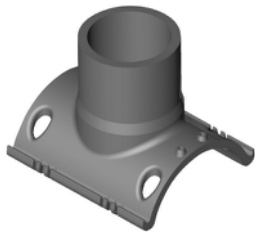
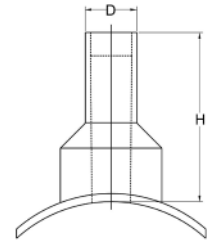
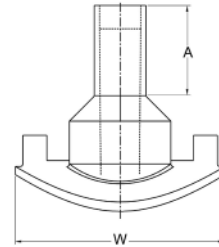
Main Size (inch)	Outlet (inch)	Code	weight (lb)	A (inch)	D (inch)	H (inch)	W (inch)	L (inch)	Pin	Style	Box Qty
6 IPS	4	360 029 057	3.9	2.19	4.50	7.20	9.63	9.13	*	3	4
8 IPS	8	360 000 790	10.0		8.63	8.00	10.60		**	2	1
10 IPS	8	360 000 746	8.8	5.75	8.63	11.66	14.80	15.03	**	2	1
12 IPS	8	360 000 755	7.9	5.75	8.63	12.49	14.80	15.03	**	2	1



Top Load
STYLE 2



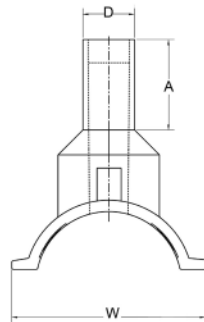
Under Clamp
STYLE 3



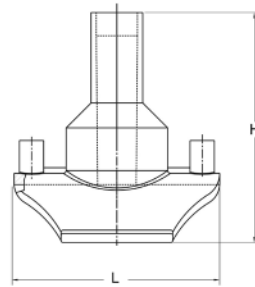
**ELECTROFUSION BRANCH SADDLE
PE4710 IPS, DR17**

- Pin Type: 4.7S (4.7 Solid Pin)
- Please call for more information on pricing, availability, other sizes and dimensions.

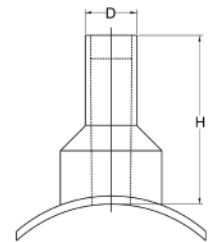
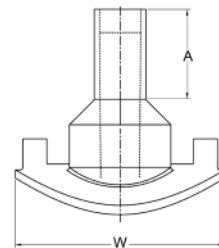
Main Size (inch)	Outlet (inch)	Code	weight (lb)	A (inch)	D (inch)	H (inch)	W (inch)	L (inch)	Style	Box Qty
8"	6	360 000 789	6.6	4.62	6.63	10.17	10.97	13.16	2	1
10"	6	360 000 744	7.0	4.63	6.63	10.99	12.22	15.03	2	1
12"	6	360 000 754	6.4	4.63	6.63	11.82	14.78	17.16	2	1



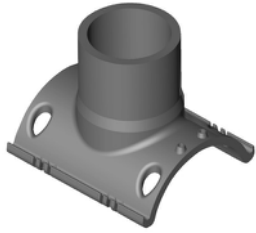
Top Load
STYLE 2



Under Clamp
STYLE 3



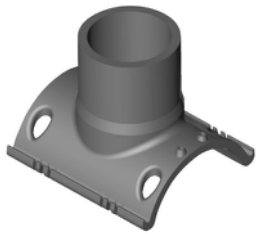
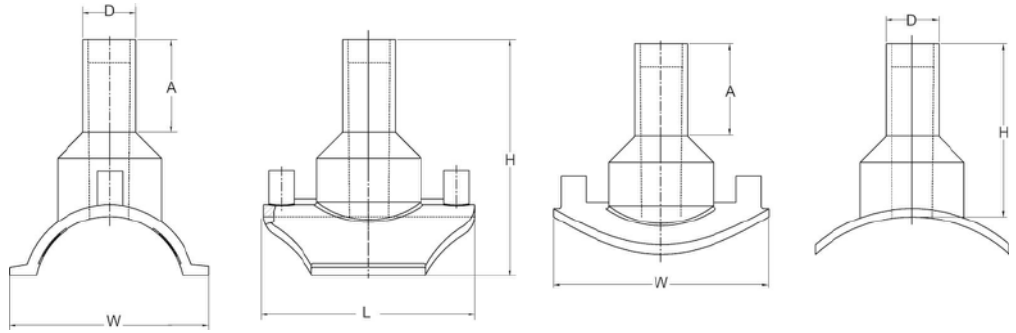
EF Full Pressure Saddles



ELECTROFUSION FULL PRESSURE BRANCH SADDLE
PE4710, Underpart Clamp
Outlet Size: 4" IPS, DR11

- Pin Type: 4.7S (4.7 Solid Pin)
- Approval: ASTM D2513
- Approval: ASTM F1055
- Approval: ASTM D3261
- Approval: AWWA C906
- Approval: NSF-61
- Approval: CSA B137.4 (indicated with *)

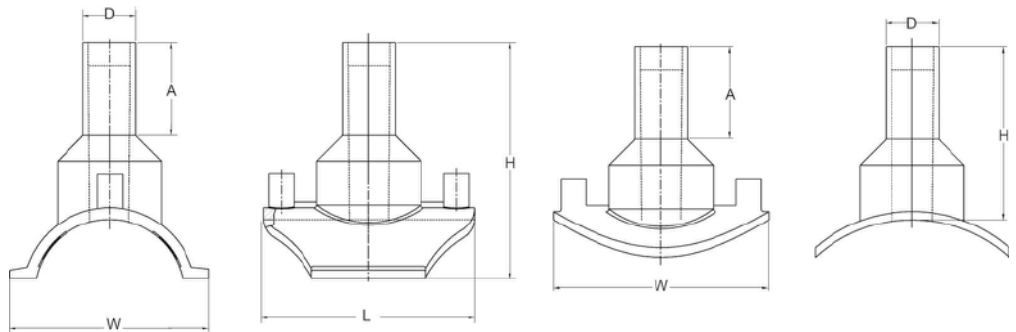
Main Size (inch)	GF weight Code	(lb)	CSA	A (inch)	D (inch)	H (inch)	W (inch)	L (inch)	Box Qty
4 IPS	360 000 768	2.1	*	3.85	4.50	6.00	7.00	8.38	8
6 IPS	360 000 774	3.7	*	3.85	4.50	7.20	9.63	9.13	8
8 IPS	360 000 787	15.6		3.90	4.50	8.80	9.56	10.39	1
10 IPS	360 000 742	21.4		3.90	4.50	10.28	12.84	15.03	1
12 IPS	360 000 752	27.0		3.90	4.50	11.10	14.80	17.16	1



ELECTROFUSION FULL PRESSURE BRANCH SADDLE
PE4710, Underpart Clamp
Outlet Size: 6" IPS, DR11

- Pin Type: 4.7S (4.7 Solid Pin)
- Approval: ASTM D2513
- Approval: ASTM F1055
- Approval: ASTM D3261
- Approval: AWWA C906
- Approval: NSF-61

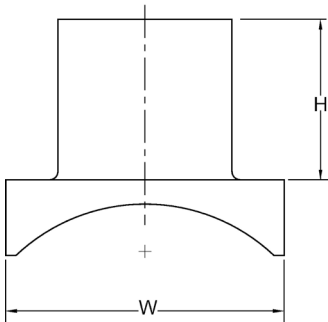
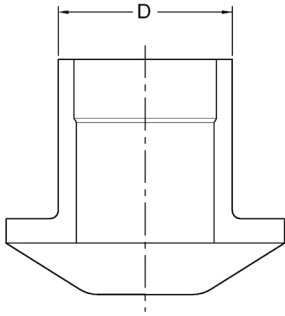
Main Size (inch)	GF weight Code	(lb)	A (inch)	D (inch)	H (inch)	W (inch)	L (inch)	Box Qty
8 IPS	360 000 788	16.8	4.62	6.63	10.17	10.94	13.16	1
10 IPS	360 000 743	24.9	4.62	6.63	10.99	12.82	15.03	1
12 IPS	360 000 753	28.0	4.62	6.63	11.82	14.78	17.16	1





ELECTROFUSION FULL PRESSURE BRANCH SADDLE
PE4710, P-Clamp
Outlet Size: 6" IPS, DR11

- Pin Type: 4.7S (4.7 Solid Pin)
- Approval: ASTM D2513
- Approval: ASTM F1055
- Approval: ASTM D3261

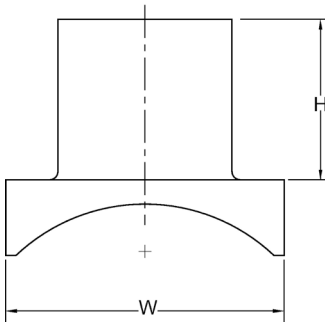
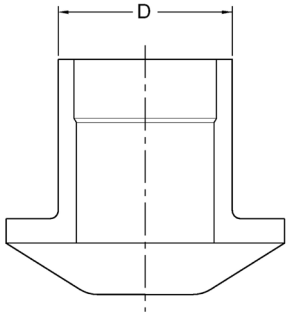


Main Size (inch)	GF Code	weight (lb)	D (inch)	H (inch)	W (inch)	Box Qty
14 IPS	360 003 135	7.8	6.63	8.00	10.60	1
16 IPS	360 003 136	5.1	6.63	8.00	10.60	1
16 DIPS	360 000 794	6.0	6.63	8.00	10.60	1
18 IPS	360 000 798	6.0	6.63	8.00	10.60	1
20 IPS	360 000 800	5.0	6.63	8.00	10.60	1
20 DIPS	360 040 125	1.0	6.63	8.00	10.60	1
22 IPS	360 000 802	5.6	6.63	8.00	10.60	1
24 IPS	360 000 805	5.6	6.63	8.00	10.60	1
24 DIPS	360 040 124	1.0	6.63	8.00	10.60	1
26 IPS	360 000 807	8.0	6.63	8.00	10.60	1
28 IPS	360 000 809	8.0	6.63	8.00	10.60	1
30 IPS	360 000 810	5.6	6.63	8.00	10.60	1
32 IPS	360 000 812	5.6	6.63	8.00	10.60	1
34 IPS	360 000 814	5.5	6.63	8.00	10.60	1
36 IPS	360 000 816	5.5	6.63	8.00	10.60	1
42 IPS	360 000 819	2.4	6.63	8.00	10.60	1
48 IPS	360 000 821	6.7	6.63	8.00	10.60	1



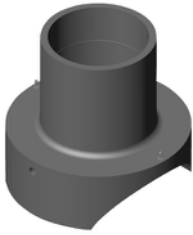
ELECTROFUSION FULL PRESSURE BRANCH SADDLE
PE4710, P-Clamp
Outlet Size: 8" IPS, DR11

- Pin Type: 4.7S (4.7 Solid Pin)
- Approval: ASTM D2513
- Approval: ASTM F1055
- Approval: ASTM D3261



Main Size (inch)	GF Code	weight (lb)	D (inch)	H (inch)	W (inch)	Box Qty
14 IPS	360 000 792	7.8	8.63	8.00	10.60	1
16 IPS	360 000 795	8.0	8.63	8.00	10.60	1
18 IPS	360 000 799	7.3	8.63	8.00	10.60	1
20 IPS	360 000 801	11.0	8.63	8.00	10.60	1
22 IPS	360 000 803	5.6	8.63	8.00	10.60	1
24 IPS	360 000 806	7.6	8.63	8.00	10.60	1
30 IPS	360 000 811	7.9	8.63	8.00	10.60	1
32 IPS	360 000 813	8.7	8.63	8.00	10.60	1
34 IPS	360 000 815	8.7	8.63	8.00	10.60	1
36 IPS	360 000 817	8.6	8.63	8.00	10.60	1

EF Low Pressure Saddles

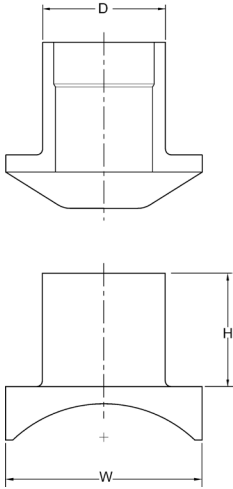


ELECTROFUSION LOW PRESSURE BRANCH SADDLE PE4710 DR 11

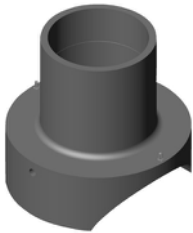
Please call for more information on availability, pricing, other sizes and dimensions. The products listed are standard stocking options. However, GF Central Plastics offers thousands of different configurations as well as custom innovative structures.

Note: These have a restricted pressure rating limited to 50 psi.

- Pin Type: 4.7S (4.7 Solid Pin)
- Low Pressure
- Outlet Wall: DR11

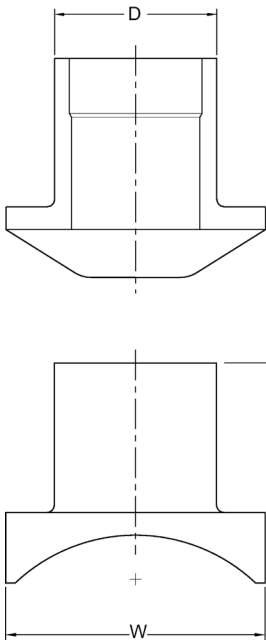


Main Size (inch)	Outlet Size (inch)	Code	weight (lb)	D (inch)	H (inch)	W (inch)	Box Qty
14	6	360 000 823	7.500	7	8	11	1
14	8	360 000 825	7.831	9	8	11	1
16	8	360 000 829	8.001	9	8	11	1
18	8	360 000 833	7.271	9	8	11	1
20	8	360 000 835	7.500	9	8	11	1
22	8	360 000 837	5.622	9	8	11	1
24	8	360 000 840	7.551	9	8	11	1
26	8	360 000 842	1.001	9	8	11	1
30	8	360 000 845	7.890	9	8	11	1
32	8	360 000 847	7.031	9	8	11	1
34	8	360 000 849	8.686	9	8	11	1
36	8	360 000 851	6.900	9	8	11	1
42	8	360 000 854	8.378	9	8	11	1
48	8	360 000 856	8.750	9	8	11	1



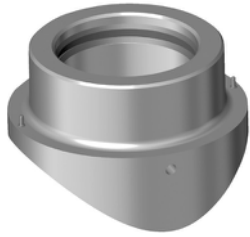
ELECTROFUSION LOW PRESSURE BRANCH SADDLE PE4710, Top Load Clamp Outlet Size: 6" IPS, DR17

- Pin Type: 4.7S (4.7 Solid Pin)
- Note: These have a restricted pressure rating limited to 50 psi.



Main Size (inch)	GF Code	weight (lb)	D (inch)	H (inch)	W (inch)	Box Qty
14 IPS	360 000 824	5.5	6.63	6.00	10.60	1
16 IPS	360 000 828	5.1	6.63	6.00	10.60	1
18 IPS	360 000 832	5.0	6.63	6.00	10.60	1
20 IPS	360 000 834	5.0	6.63	6.00	10.60	1
24 IPS	360 000 839	5.6	6.63	6.00	10.60	1
26 IPS	360 000 841	8.0	6.63	6.00	10.60	1
30 IPS	360 000 844	5.6	6.63	6.00	10.60	1
32 IPS	360 000 846	5.6	6.63	6.00	10.60	1
36 IPS	360 000 850	5.5	6.63	6.00	10.60	1
48 IPS	360 000 855	4.0	6.63	6.00	10.60	1

EF Gasketed Sewer Saddles

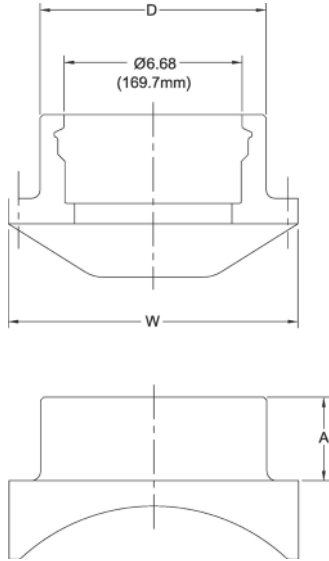


ELECTROFUSION FITTINGS: GASKETED SEWER SADDLE with IPS Gasketed Outlet, T-Clamp (K) PE4710 IPS, SCH40

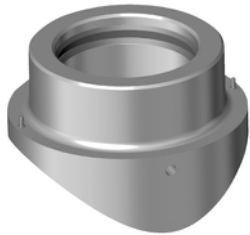
8" - 48" IPS and DIPS Base with IPS/Schedule 40 Gasket

Please call for more information on pricing, availability, other sizes and dimensions.

- Pin Type: 4.7R (4.7 with Resistor) - Denoted by *
- Pin Type: 4.7S (4.7 Solid Pin) - Denoted by **

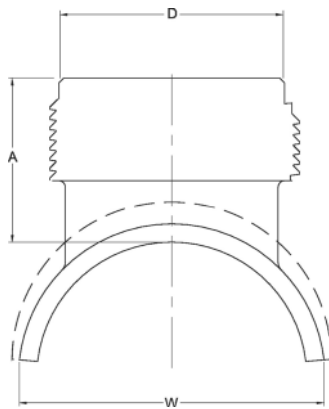


Size	Code	weight (kg)	A (inch)	D (inch)	W (inch)	Pin Type	Box Qty
6 IPS, 4 IPS	360 003 706	2.862	3	9	11	**	1
MULTI IPS, 4 IPS	360 000 985	1.279	3	9	11	*	1
8 IPS, 6 IPS	360 000 980	3.175	3	9	11	*	1
10 IPS, 6 IPS	360 000 947	3.175	3	9	11	*	1
12 IPS, 6 IPS	360 000 950	3.402	3	9	11	*	1
14 IPS, 6 IPS	360 000 953	3.290	3	9	11	*	1
16 IPS, 6 IPS	360 000 956	3.629	3	9	11	*	1
18 IPS, 6 IPS	360 000 959	3.286	3	9	11	*	1
24 IPS, 6 IPS	360 000 964	3.286	3	9	11	*	1
30 IPS, 6 IPS	360 000 966	3.290	3	9	11	*	1
32 IPS, 6 IPS	360 000 968	3.286	3	9	11	*	1
34 IPS, 6 IPS	360 000 970	3.286	3	9	11	*	1



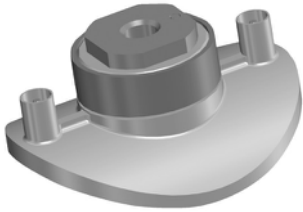
ELECTROFUSION FITTINGS: GASKETED SEWER SADDLE PE4710, T-Clamp (K) IPS, DR35

- Pin Type: 4.7S (4.7 Solid Pin)
- 6" and Multi-Base with IPS/Schedule 40 and PSM/DR35 Gaskets



Size	GF Code	weight (lb)	A (inch)	D (inch)	W (inch)	Box Qty
6 IPS, 4 PSM	360 000 978	4.0	3.00	8.63	10.60	8
MULTI IPS, 4 PSM	360 000 986	3.0	3.00	8.63	10.60	1
8 IPS, 6 PSM	360 000 982	8.5	3.00	8.63	10.60	1
8 IPS, 6 PSM	360 000 983	8.3	3.00	8.63	10.60	1
10 IPS, 6 PSM	360 000 948	7.1	3.00	8.63	10.60	1
12 IPS, 6 PSM	360 000 951	7.5	3.00	8.63	10.60	1
14 IPS, 6 PSM	360 000 954	6.5	3.00	8.63	10.60	1
18 IPS, 6 PSM	360 000 960	6.9	3.00	8.63	10.60	1
16 IPS, 6 PSM	360 000 957	3.2	3.00	8.63	10.60	1
22 IPS, 6 PSM	360 000 962	7.0	3.00	8.63	10.60	1
24 IPS, 6 PSM	360 000 965	7.0	3.00	8.63	10.60	1
30 IPS, 6 PSM	360 000 967	7.0	3.00	8.63	10.60	1
42 IPS, 6 PSM	360 000 975	7.0	3.00	8.63	10.60	1

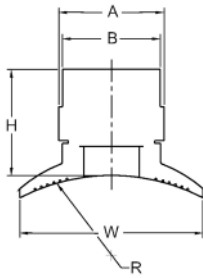
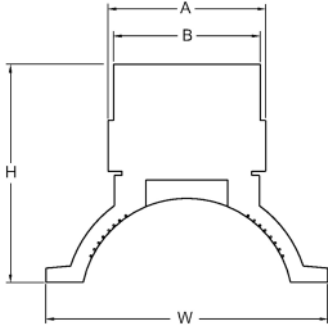
EF Brass Transition Saddles



ELECTROFUSION FITTINGS: BRASS TRANSITION SADDLE IPS, PE4710

Outlet Material: Brass 360 Alloy
Compression Ring Material: Stainless 304
Please call for more information on pricing, availability, other sizes and dimensions.

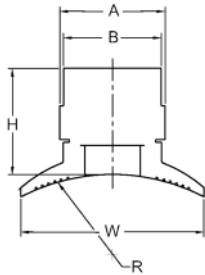
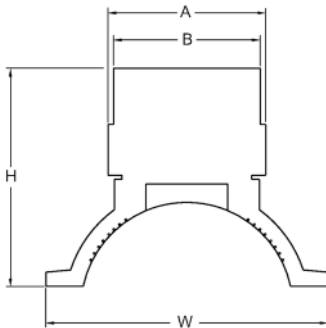
- Approval: NSF-61
- Approval: AWWA C906
- Approval: ASTM F1055 (indicated with *)
- Approval: ASTM D2513/F1055-GAS (indicated with **)
- Pin Type: 4.7R (4.7 with Resistor) - Denoted by *
- Pin Type: 4.7S (4.7 Solid Pin) - Denoted by **



Main Size	Outlet	Code	weight	R	A	H	W	B	ASTM	Pin	qty
(inch)	(inch)		(kg)	(inch)	(inch)	(inch)	(inch)	(inch)			
2	¾	360 001 137	0.9	1.19	3.25	3.27	3.59	2.50	*	*	10
3	¾	360 001 152	1.1	1.75	3.25	3.25	4.50	2.50	*	*	10
4	¾	360 001 167	1.1	2.35	3.25	3.80	6.26	2.50	*	*	5
6	¾	360 001 184	1.2	3.34	3.25	4.50	9.00	2.50	*	*	5
8	¾	360 001 209	0.9	4.31	3.25	2.50	6.10	2.50	*	*	10
10	¾	360 001 111	1.2	5.38	3.25	2.50	6.10	2.50	*	*	10
2	1	360 001 140	0.9	1.19	3.25	3.25	3.59	2.50	*	*	10
3	1	360 001 155	0.9	1.75	3.25	3.25	4.50	2.50	*	*	10
4	1	360 001 170	1.0	2.35	3.25	3.25	6.26	2.50	*	*	5
6	1	360 001 187	1.1	3.34	3.25	4.50	9.00	2.50	*	*	5
8	1	360 001 213	0.9	4.31	3.25	2.50	6.10	2.50	*	*	10
10	1	360 001 113	1.1	5.38	3.25	2.50	6.10	2.50	*	**	10
12	1	360 001 131	1.2	6.38	3.25	2.50	6.10	2.50	*	**	10
2	1 ¼	360 001 143	0.9	1.19	3.25	3.25	3.59	2.50	*	*	10
3	1 ¼	360 001 158	0.9	1.75	3.25	3.25	4.50	2.50	*	*	10
4	1 ¼	360 001 173	0.8	2.35	3.25	3.80	6.26	2.50	*	*	5
6	1 ¼	360 001 190	0.9	3.34	3.25	4.50	9.00	2.50	*	*	5
8	1 ¼	360 001 215	1.1	4.31	3.25	2.50	6.10	2.50	*	*	10
10	1 ¼	360 001 114	1.1	5.38	3.25	2.50	6.10	2.50	*	**	10
2	1 ½	360 001 146	0.9	1.75	3.25	3.25	3.59	2.87	*	*	10
3	1 ½	360 001 161	0.9	1.75	3.25	3.25	4.50	2.87	*	*	10
4	1 ½	360 001 176	1.0	2.35	3.25	3.80	6.26	2.87	*	*	5
6	1 ½	360 001 193	1.1	3.34	3.25	4.50	9.00	2.87	*	*	5
8	1 ½	360 001 218	1.0	4.31	3.25	2.50	6.10	2.87	*	*	10
2	2	360 001 149	0.9	1.19	3.50	3.27	3.59	3.25	**	*	10
3	2	360 001 164	0.9	1.75	3.50	4.12	4.60	3.25	**	*	5
4	2	360 001 180	1.7	2.35	3.50	3.80	6.26	3.25	**	*	5
6	2	360 001 198	2.0	3.34	3.50	4.50	9.00	3.25	**	*	5
8	2	360 001 221	1.8	4.31	3.50	2.50	6.10	3.25	**	*	5
10	2	360 001 119	1.0	5.38	3.50	2.50	6.10	3.25	**	**	5
12	2	360 001 134	1.0	6.38	3.50	2.50	6.10	3.25	**	**	5

EF Stainless Steel Transition Saddles

ELECTROFUSION FITTINGS: STAINLESS STEEL TRANSITION SADDLE IPS, PE4710

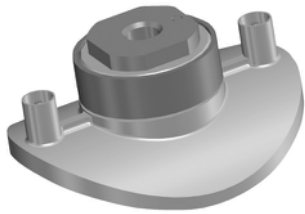


Outlet Material: Stainless 316
 Compression Ring Material: Stainless 304
 Please call for more information on pricing, availability, other sizes and dimensions.

- Approval: NSF-61
- Approval: AWWA C906
- Approval: ASTM F1055
- Standard: ANSI B1.20.1
- Approval: ASTM F1055 (indicated with *)
- Approval: ASTM D2513/F1055-GAS (indicated with **)
- ***Approval: ASTM D2513/F1055-GAS, AWWA C906 only
- Pin Type: 4.7R (4.7 with Resistor) - Denoted by *
- Pin Type: 4.7S (4.7 Solid Pin) - Denoted by **

Main Size	Outlet	Code	weight	R	A	H	W	B	ASTM	Pin	qty
(inch)	(inch)		(kg)	(inch)	(inch)	(inch)	(inch)	(inch)			
2	¾	360 001 138	0.957	1	3	3	4	3	*	*	10
2	¾	360 021 399	0.957	1	3	3	4	3	**	*	10
3	¾	360 001 153	1.052	1	3	3	5	3	*	*	10
3	¾	360 001 153	1.052	1	3	3	5	3	*	*	10
4	¾	360 001 168	1.080	2	3	4	6	3	*	*	5
4	¾	360 021 412	1.060	2	3	4	6	3	**	*	5
6	¾	360 001 185	1.152	3	3	5	9	3	*	*	5
8	¾	360 001 210	1.170	4	3	3	6	3	*	*	10
10	¾	360 003 708	1.197	5	3	2	6	3	*	**	10
2	1	360 001 141	0.816	1	3	3	4	3	*	*	10
3	1	360 021 408	0.925	2	3	3	5	3	***	*	10
3	1	360 001 156	0.925	2	3	3	5	3	*	*	10
4	1	360 001 171	0.907	2	3	4	6	3	*	*	5
6	1	360 001 188	0.826	3	3	5	9	3	*	*	5
8	1	360 001 214	0.907	4	3	3	6	3	*	*	10
12	1	360 001 132	1.048	6	3	3	6	3	*	*	10
2	1 ¼	360 001 144	0.748	1	3	3	4	3	*	*	10
3	1 ¼	360 001 159	0.907	2	3	3	5	3	*	*	10
4	1 ¼	360 001 174	0.907	2	3	4	6	3	*	*	10
6	1 ¼	360 001 191	0.939	3	3	5	9	3	*	*	5
8	1 ¼	360 001 216	1.000	4	3	3	6	3	*	*	10
2	1 ½	360 001 147	0.857	1	3	3	4	3	*	*	10
3	1 ½	360 001 162	0.857	2	3	3	5	3	*	*	10
4	1 ½	360 001 177	0.980	2	3	4	6	3	*	*	5
6	1 ½	360 001 194	0.522	2	3	5	9	3	*	*	5
8	1 ½	360 001 219	1.148	4	3	3	6	3	*	*	5
2	2	360 001 148	0.848	1	4	3	4	3	**	*	5
3	2	360 001 163	1.588	2	4	3	5	3	**	*	5
4	2	360 001 179	1.678	2	4	4	6	3	**	*	5
6	2	360 001 196	2.037	3	4	5	9	3	**	*	5

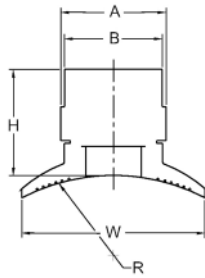
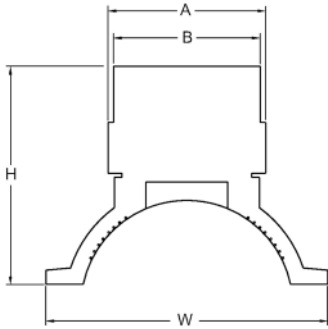
EF Corp Saddles



ELECTROFUSION FITTINGS: BRASS CORP SADDLE IPS, PE4710







Outlet Material: Brass 360 Alloy
Compression Ring Material: Stainless 304
Please call for more information on pricing, availability, other sizes and dimensions.

- Approval: NSF-61
- Approval: ASTM F1055
- Approval: AWWA C906
- Approval: ANSI B1.20.1
- Pin Type: 4.7R (4.7 with Resistor) - Denoted by *
- Pin Type: 4.7S (4.7 Solid Pin) - Denoted by **



Main Size	Outlet Size	Code	weight	R	A	H	W	B	Pin	Box Qty
(inch)	(inch)		(lb)	(inch)	(inch)	(inch)	(inch)	(inch)		
2	¾	360 001 136	2.1	1.19	3.25	3.27	3.59	2.50	*	10
3	¾	360 001 151	2.2	1.75	3.25	3.25	4.50	2.50	*	10
4	¾	360 001 166	2.3	2.35	3.25	3.80	6.26	2.50	*	5
6	¾	360 001 183	3.0	3.34	3.25	4.50	9.00	2.50	*	5
8	¾	360 001 208	2.3	4.31	3.25	2.50	6.10	2.50	*	10
10	¾	360 001 110	2.5	5.38	3.25	2.50	6.10	2.50	**	10
12	¾	360 001 128	2.5	6.38	3.25	2.50	6.10	2.50	**	10
2	1	360 001 139	2.0	1.19	3.25	3.25	3.59	2.50	*	10
3	1	360 001 154	2.0	1.75	3.25	3.25	4.50	2.50	*	10
4	1	360 001 169	2.2	2.35	3.25	3.80	6.26	2.50	*	5
6	1	360 001 186	2.4	3.34	3.25	4.50	9.00	2.50	*	5
8	1	360 001 211	2.1	4.31	3.25	2.50	6.10	2.50	*	10
10	1	360 001 112	2.4	5.38	3.25	2.50	6.10	2.50	**	10
12	1	360 001 130	2.2	6.38	3.25	2.50	6.10	2.50	**	10
2	1 ¼	360 001 142	1.8	1.19	3.25	3.25	3.59	2.50	*	10
3	1 ¼	360 001 157	1.8	1.75	3.25	3.25	4.50	2.50	*	10
4	1 ¼	360 001 172	1.9	2.35	3.25	3.80	6.26	2.50	*	5
6	1 ¼	360 001 189	2.1	3.34	3.25	4.50	9.00	2.50	*	5
2	1 ½	360 001 145	2.0	1.19	3.25	3.25	3.59	2.87	*	10
3	1 ½	360 001 160	1.8	1.75	3.25	3.25	4.50	2.87	*	10
4	1 ½	360 001 175	1.8	2.35	3.25	3.80	6.26	2.87	*	5
6	1 ½	360 001 192	2.2	3.34	3.25	4.50	9.00	2.87	*	5
8	1 ½	360 001 217	1.9	4.31	3.25	2.50	6.10	2.87	*	10
10	1 ½	360 001 115	2.1	5.38	3.25	2.50	6.10	2.87	**	10
4	2	360 001 178	2.7	2.35	3.50	3.80	6.26	3.25	*	5
6	2	360 001 195	3.8	3.34	3.50	4.50	9.00	3.25	*	5
8	2	360 001 220	3.6	4.31	3.50	2.50	6.10	3.25	*	5
10	2	360 001 118	3.8	5.38	3.50	2.50	6.10	3.25	**	5
12	2	360 001 133	4.0	6.38	3.50	2.50	6.10	3.25	**	5

IPS HDPE Transition Fittings

IPS HDPE Transition Fittings	Page
	Threaded Cat 3 Transition
	Stainless Cat 1 Transition
	VI Grooved Cat 1 Transition
	Weld-End Oil and Gas Cat 1
	Threaded External Coated Transitions
	Threaded Internal Coated Transitions

Threaded Cat 3 Transition



**CATEGORY 3 TRANSITIONS: 304 Stainless Steel Transition
PE4710
DR7 Oil & Gas Gathering**

- Standard: ANSI B1.20.1

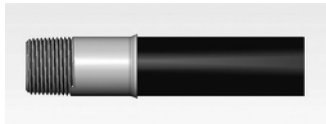
Size	GF Code	weight (lb)	Box Qty
2" MPT x 2" IPS	360 028 408	1.5	20
3" MPT x 3" IPS	360 028 409	3.0	10
4" MPT x 4" IPS	360 028 410	7.3	6



CATEGORY 3 TRANSITIONS: 304 Stainless Steel Transition PE4710 DR11

- Standard: ANSI B1.20.1

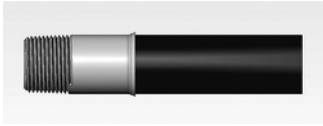
Size	GF Code	weight (lb)	Box Qty
3/4" MPT x 3/4" IPS	360 002 498	0.1	100
1" MPT x 1" IPS	360 002 499	0.2	80
1 1/4" MPT x 1 1/4" IPS	360 002 500	0.4	45
1 1/2" MPT x 1 1/2" IPS	360 002 501	0.5	36
2" MPT x 2" IPS	360 002 502	1.2	20
3" MPT x 3" IPS	360 002 503	3.1	4
4" MPT x 4" IPS	360 002 504	6.6	6



**CATEGORY 3 TRANSITIONS: Brass Transition
PE4710
DR11**

- Standard: ANSI B1.20.1

Size	GF Code	weight (lb)	Box Qty
3/4" MPT x 3/4" IPS	360 002 487	0.2	50
1" MPT x 1" IPS	360 002 488	0.3	50
1-1/4" MPT x 1-1/4" IPS	360 002 489	0.4	50
1-1/2" MPT x 1-1/2" IPS	360 002 490	0.5	50
2" MPT x 2" IPS	360 002 491	1.3	20
3" MPT x 3" IPS	360 002 492	3.4	10
4" MPT x 4" IPS	360 003 677	6.4	6



**CATEGORY 3 TRANSITIONS: Carbon Steel Transition
PE4710
DR11**

- Standard: ANSI B1.20.1

Size	GF Code	weight (lb)	Box Qty
3/4" MPT x 3/4" IPS	360 002 493	0.1	100
1" MPT x 1" IPS	360 002 494	0.2	80
1 1/4" MPT x 1 1/4" IPS	360 002 495	0.4	45
1 1/2" MPT x 1 1/2" IPS	360 003 678	0.5	36
2" MPT x 2" IPS	360 002 496	1.2	20
3" MPT x 3" IPS	360 002 497	3.1	10
4" MPT x 4" IPS	360 003 679	5.8	6

Stainless Cat 1 Transition



**TRANSITION FITTINGS: Stainless Steel Transition Fitting
PE4710
DR11**

- Standard: ANSI B1.20.1
- Approval: AWWA C901
- Approval: NSF-61

Size	GF Code	weight (lb)	Box Qty
3/4" MPT x 3/4" IPS	360 002 535	0.5	50
1" MPT x 1" IPS	360 002 536	0.8	30
1 1/4" MPT x 1 1/4" IPS	360 002 537	1.4	20
1 1/2" MPT x 1 1/2" IPS	360 002 538	1.6	15
2" MPT x 2" IPS	360 002 539	1.9	10
3" MPT x 3" IPS	360 003 773	5.7	4

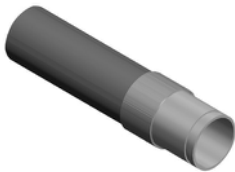
VI Grooved Cat 1 Transition



**TRANSITION FITTINGS: Mechanical Grooved Joint
PE4710 DR7**

- Approval: ASTM D2513
- Approval: ASTM F1973
- Standard: CAT-1

Description	GF Code	weight (lb)	Box Qty
2" IPS x 2" IPS	360 003 841	3.3	16
3" IPS x 3" IPS	360 003 843	8.6	4
4" IPS x 4" IPS	360 002 579	15.1	4

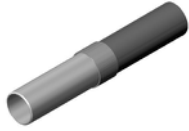


**TRANSITION FITTINGS: Mechanical Grooved Joint
PE4710 DR11**

- Approval: ASTM D2513
- Approval: ASTM F1973
- Standard: CAT-1

Description	GF Code	weight (lb)	Box Qty
2" IPS x 2" IPS	360 003 842	3.0	16
3" IPS x 3" IPS	360 003 844	9.0	4
4" IPS x 4" IPS	360 003 845	12.2	4
6" IPS x 6" IPS	360 003 847	37.0	1

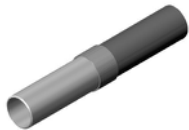
Weld-End Oil and Gas Cat 1



WELD-END TRANSITION FITTINGS: Weld-End Transition Fitting PE4710, Oil Field Pipe IPS, DR7

- Approval: ASTM D2513
- Approval: ASTM F1973
- Standard: CAT-1

Size	GF Code	weight (lb)	Box Qty
2" IPS x 2" IPS	360 003 857	5.8	8
3" IPS x 3" IPS	360 003 858	14.2	3
4" IPS x 4" IPS	360 003 860	20.2	2
6" IPS x 6" IPS	360 002 644	52.8	1



WELD-END TRANSITION FITTINGS: Weld-End Transition Fitting PE4710, Oil Field Pipe IPS, DR9

- Approval: ASTM D2513
- Approval: ASTM F1973
- Standard: CAT-1

Size	GF Code	weight (lb)	Box Qty
4" IPS x 4" IPS	360 013 966	19.7	2

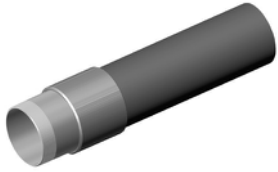


WELD-END TRANSITION FITTINGS: Weld-End Transition Fitting PE4710, Oil Field Pipe IPS, DR11

- Approval: ASTM D2513
- Approval: ASTM F1973
- Standard: CAT-1

Size	GF Code	weight (lb)	Box Qty
2" IPS x 2" IPS	360 003 398	5.5	8
3" IPS x 3" IPS	360 003 859	12.6	3
4" IPS x 4" IPS	360 003 861	19.0	2
6" IPS x 6" IPS	360 003 862	47.3	1
8" IPS x 8" IPS	360 003 863	96.0	1
10" IPS x 10" IPS	360 003 864	153.0	1
12" IPS x 12" IPS	360 003 866	240.0	1

Threaded External Coated



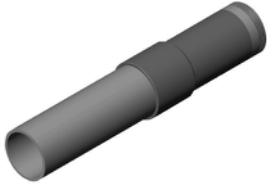
THREADED EXTERNAL COATED TRANSITIONS: Threaded External Coated Transition PE3408/PE4710

- Approval: ASTM D2513
- Approval: ASTM F1973
- Standard: CAT-1
- Standard: ANSI B1.20.1
- Protective sleeves are available upon request.
- Call for availability of other sizes and dimensions.

Description	SDR	GF Code	weight (lb)	Box Qty
1/2" MPT x 1/2" CTS		360 003 787	0.705	36
3/4" MPT x 3/4" IPS	11	360 002 547	0.930	36
1" MPT x 1" IPS	11	360 003 781	1.239	25
1" MPT x 1" IPS	11	360 002 557	2.209	25
1" MPT x 1" CTS		360 002 554	3.047	25
1" MPT x 1-1/4" IPS	11	360 002 558	1.969	16
1-1/4" MPT x 1-1/4" IPS	7	360 002 541	1.750	16
1-1/4" MPT x 1-1/4" IPS	11	360 002 561	1.909	16
1-1/4" MPT x 1-1/4" IPS	11	360 002 515	1.700	16
1-1/4" MPT x 1" CTS		360 003 788	0.002	16
1-1/2" MPT x 1-1/2" IPS	7	360 002 562	2.293	12
1-1/2" MPT x 1-1/2" IPS	11	360 002 564	2.469	12
2" MPT x 2" IPS	7	360 003 783	3.400	16
2" MPT x 2" IPS	9	360 003 512	3.549	16
2" MPT x 2" IPS	11	360 002 517	3.340	16
3" MPT x 3" IPS	7	360 002 572	8.999	4
3" MPT x 3" IPS	11	360 003 784	8.199	4
4" MPT x 4" IPS	11	360 003 785	12.000	4
8" MPT x 8" IPS	11	360 002 574	78.401	1

Threaded Internal Coated

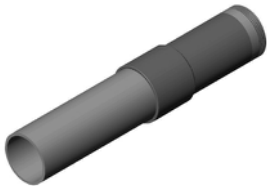
THREADED INTERNAL COATED TRANSITIONS: Threaded Internal Coated Transition PE4710 DR7



- Approval: ASTM D2513
- Approval: ASTM F1973
- Standard: CAT-1

Size	GF Code	weight (lb)	Box Qty
2" MPT x 2" IPS	360 003 794	3.4	16
3" MPT x 3" IPS	360 003 796	8.7	4
4" MPT x 4" IPS	360 003 798	13.0	4
6" MPT x 6" IPS	360 002 518	44.0	1

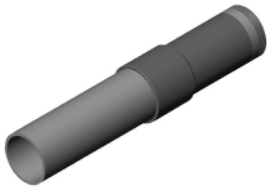
THREADED INTERNAL COATED TRANSITIONS: Threaded Internal Coated Transition PE4710 DR9



- Approval: ASTM D2513
- Approval: ASTM F1973
- Standard: CAT-1

Size	GF Code	weight (lb)	Box Qty
3" MPT x 3" IPS	360 002 578	8.3	4
4" MPT x 4" IPS	360 013 846	12.2	4

THREADED INTERNAL COATED TRANSITIONS: Threaded Internal Coated Transition PE4710 DR11



- Approval: ASTM D2513
- Approval: ASTM F1973
- Standard: CAT-1

Size	GF Code	weight (lb)	Box Qty
3/4" MPT x 3/4" IPS	360 003 791	0.9	36
1" MPT x 1" IPS	360 003 792	1.2	25
1 1/4" MPT x 1 1/4" IPS	360 003 793	2.0	16
1 1/2" MPT x 1 1/2" IPS	360 002 576	2.5	12
2" MPT x 2" IPS	360 003 795	3.0	16
3" MPT x 3" IPS	360 003 797	8.2	4
4" MPT x 4" IPS	360 003 799	11.7	4
6" MPT x 6" IPS	360 003 800	35.0	1

IPS HDPE

Socket Fusion Fittings

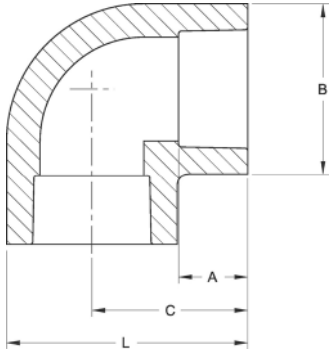
IPS HDPE Socket Fusion Fittings		Page
	90° Elbows	107
	Couplings	108
	Tees	109
	Reducing Tees	110
	Reducers	110
	End Caps	111

Socket Fusion Fittings

SOCKET FITTINGS: 90° Elbow PE4710 IPS

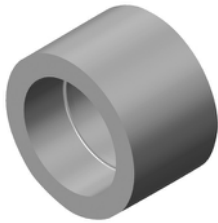


- Approval: ASTM D2513
- Approval: ASTM D2683
- Approval: AWWA C906

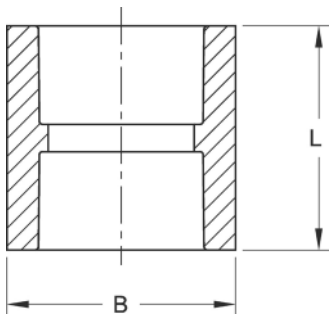


Size (inch)	GF Code	weight (lb)	A (inch)	B (inch)	C (inch)	L (inch)	Box Qty
½	360 002 093	0.1	0.66	1.20	1.31	1.91	100
¾	360 002 095	0.1	0.75	1.50	1.63	2.38	100
1	360 002 099	0.2	0.77	1.83	1.69	2.61	60
1 ¼	360 002 101	0.3	0.95	2.27	2.09	3.23	100
1 ½	360 002 103	0.4	0.98	2.63	2.33	3.65	70
2	360 002 105	0.7	1.00	3.28	2.73	4.37	50
3	360 002 107	3.3	1.17	5.21	4.13	6.74	8
4	360 002 109	5.9	1.34	6.40	5.50	8.70	8

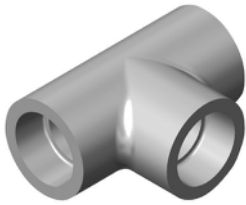
SOCKET FITTINGS: Coupling PE4710 IPS



- Approval: ASTM D2513
- Approval: ASTM D2683
- Approval: AWWA C906

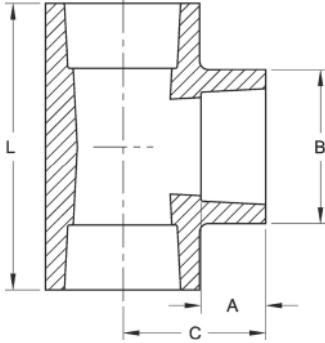


Size (inch)	GF Code	weight (lb)	B (inch)	L (inch)	Box Qty
½	360 002 131	0.1	1.20	2.19	100
¾	360 002 133	0.1	1.46	2.19	100
1	360 002 137	0.1	1.82	2.19	100
1 ¼	360 002 139	0.2	2.27	2.19	100
1 ½	360 002 141	0.2	2.55	2.18	100
2	360 002 143	0.3	3.27	2.36	100
3	360 002 145	1.2	5.07	2.81	10
4	360 002 147	2.1	6.48	3.18	10

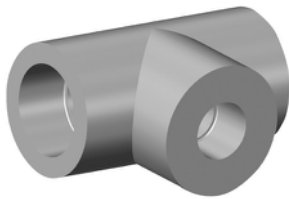


SOCKET FITTINGS: Tee
PE4710 IPS

- Approval: ASTM D2513
- Approval: ASTM D2683
- Approval: AWWA C906

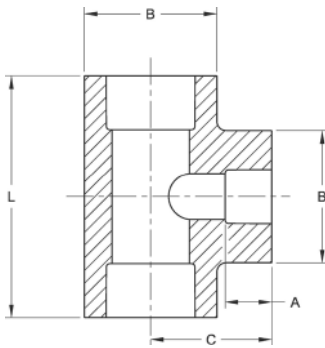


Size (inch)	GF weight Code	(lb)	A (inch)	B (inch)	C (inch)	L (inch)	Box Qty
½	360 002 195	0.1	0.64	1.19	1.31	2.66	100
¾	360 002 198	0.1	0.73	1.49	1.63	3.25	100
1	360 002 205	0.2	0.75	1.84	1.69	3.41	100
1 ¼	360 002 207	0.4	0.97	2.30	2.10	4.22	100
1 ½	360 002 210	0.6	0.97	2.65	2.34	4.67	40
2	360 002 212	1.0	0.97	3.26	2.78	5.40	30
3	360 002 215	4.1	1.19	5.25	4.20	8.28	8

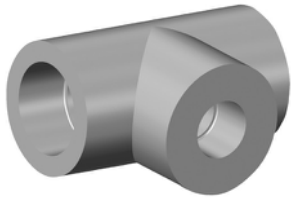


SOCKET FITTINGS: Reducing Tee
PE4710 IPS

- Approval: ASTM D2513
- Approval: ASTM D2683
- Approval: AWWA C906

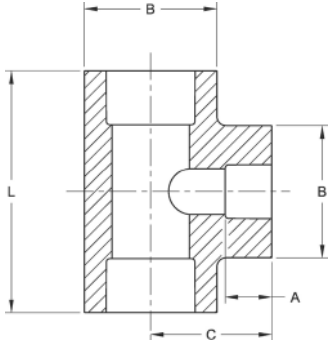


Main Size (inch)	GF weight Code	(lb)	A (inch)	B (inch)	C (inch)	L (inch)	Box Qty
¾ x ¾ x ½	360 002 197	0.3	0.65	1.50	1.63	3.25	100
1 x 1 x ½	360 002 202	0.3	0.65	1.85	1.69	3.80	100
1 ½ x 1 ½ x ½	360 002 209	1.0	0.65	1.85	1.69	3.38	10

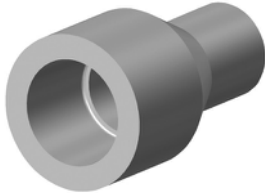


**SOCKET FITTINGS: Molded Reducing Tee
PE4710 IPS**

- Approval: ASTM D2513
- Approval: ASTM D2683
- Approval: AWWA C906

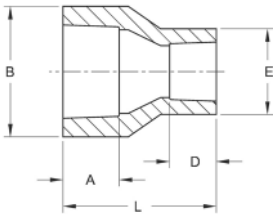


Main Size (inch)	GF Code	weight (lb)	A (inch)	B (inch)	C (inch)	L (inch)	Box Qty
1 ¼ x ¾ x ¾	360 003 767	0.3	0.86	1.39	2.14	4.52	80
1 ¼ x 1 x 1	360 003 768	0.3	1.08	1.74	2.14	4.40	80
1 ¼ x 1 ¼ x ¾	360 003 129	0.4	0.86	1.39	2.14	4.52	80
1 ¼ x 1 ¼ x 1	360 003 130	0.4	1.07	1.74	2.14	4.52	80
1 ½ x ¾ x ¾	360 003 769	0.4	0.86	1.39	2.40	4.52	60
1 ½ x 1 ¾ x 1 ¾	360 003 771	0.5	1.35	2.21	2.54	5.52	50
1 ½ x 1 ½ x ¾	360 003 770	0.4	0.86	1.39	2.40	4.52	50
1 ½ x 1 ½ x 1 ¼	360 003 772	0.8	1.35	2.21	2.95	5.51	30
2 x 1 ¼ x 1 ¼	360 003 131	0.7	0.85	1.39	2.75	5.55	30
2 x 2 x ¾	360 003 132	0.8	1.07	1.74	2.88	5.55	30
2 x 2 x 1 ¼	360 003 133	0.8	1.35	2.21	2.95	5.51	30

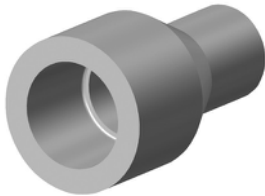


**SOCKET FITTINGS: Reducer
PE4710 IPS/CTS**

- Approval: ASTM D2513
- Approval: ASTM D2683
- Approval: AWWA C906

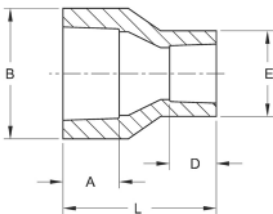


Size (inch)	GF Code	weight (lb)	A (inch)	B (inch)	D (inch)	E (inch)	L (inch)	Box Qty
½ - ½	360 002 149	0.0	0.65	1.23	0.64	1.09	1.83	100
¾ - ½	360 002 152	0.1	0.71	1.46	0.64	1.08	1.85	100
1 - ¾	360 002 159	0.1	0.79	1.45	0.98	1.44	2.19	100

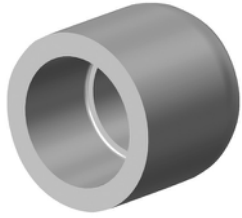


**SOCKET FITTINGS: Reducer
PE4710 IPS**

- Approval: ASTM D2513
- Approval: ASTM D2683
- Approval: AWWA C906

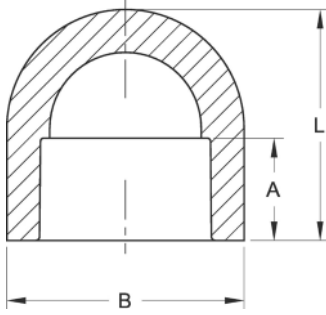


Size (inch)	GF Code	weight (lb)	A (inch)	B (inch)	D (inch)	E (inch)	L (inch)	Box Qty
1 - ½	360 002 162	0.1	0.78	1.83	0.65	1.21	2.16	100
1 - ¾	360 002 164	0.1	0.75	1.83	0.68	1.46	1.98	100
1 ¼ - ¾	360 002 170	0.1	1.00	2.26	0.72	1.46	2.18	100
1 ¼ - 1	360 002 172	0.1	0.96	2.26	0.81	1.83	2.27	100
1 ½ - 1	360 002 175	0.1	0.96	2.56	0.77	1.84	2.15	100
1 ½ - 1 ¼	360 002 177	0.2	0.97	2.56	0.95	2.30	2.16	100
2 - 1	360 002 180	0.3	0.99	3.27	0.76	1.83	2.52	100
2 - 1 ¼	360 002 182	0.3	1.00	3.28	0.96	2.28	2.55	100
2 - 1 ½	360 002 185	0.3	0.99	3.27	0.97	2.55	2.56	100
3 - 2	360 002 186	1.0	1.19	5.04	0.98	3.50	3.18	10
4 - 2	360 002 188	1.9	1.29	6.48	0.97	3.54	4.14	10
4 - 3	360 002 190	2.2	1.29	6.41	1.17	5.00	4.48	5



**SOCKET FITTINGS: End Cap
PE4710 IPS**

- Approval: ASTM D2513
- Approval: ASTM D2683
- Approval: AWWA C906



Size (inch)	GF Code	weight (lb)	A (inch)	B (inch)	L (inch)	Box Qty
½	360 002 113	0.0	0.66	1.23	1.37	100
¾	360 002 115	0.5	0.74	1.45	1.56	100
1	360 002 118	0.1	0.78	1.83	1.78	100
1 ¼	360 002 120	0.2	0.98	2.28	2.23	100
1 ½	360 002 122	0.2	0.98	2.55	2.00	100
2	360 002 124	0.3	0.99	3.28	2.23	100
3	360 002 126	1.1	1.19	5.05	3.05	10

Section 2

HDPE Piping System

Ductile Iron Pipe Size

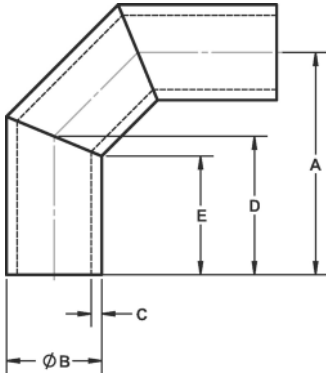


DIPS HDPE

Butt Fusion Fittings

DIPS HDPE Butt Fusion Fittings		Page
	90° Elbows	113
	45° Elbows	118
	22.5° Elbows	123
	Tees	125
	Reducing Tees	127
	End Caps	128
	Waterstops	129
	Bell End MJ	131

90° Butt Elbows



90° Elbow Fabricated 3-Segment DIPS, DR9

- Approval: NSF-61
- Approval: AWWA C906

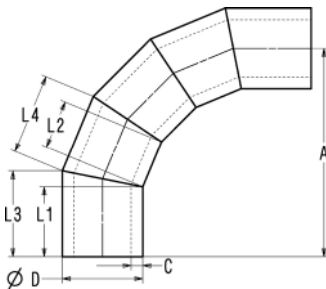
Please call for more information on pricing, availability, other sizes and dimensions.

Size (inch)	SDR	Code	A (inch)	B (inch)	C (inch)	D (inch)	E (inch)	Weight (lb)
4	9	360 015 523	10.50	4.80	0.53	7.00	6.00	4.66
6	9	360 015 561	18.50	6.90	0.77	7.43	6.00	18.00
8	9	360 015 589	13.70	9.05	1.01	8.40	6.50	21.19
10	9	360 015 619	15.30	11.10	1.23	8.80	6.50	35.22
12	9	360 015 653	18.50	13.20	1.47	10.70	8.00	60.27
14	9	360 015 683	18.30	15.30	1.70	11.20	8.00	81.15
16	9	360 015 715	19.80	17.40	1.93	11.60	8.00	112.25
18	9	360 015 742	20.80	19.50	2.17	12.00	8.00	148.24
20	9	360 015 774	22.20	21.60	2.40	12.50	8.00	192.82
24	9	360 015 807	25.00	25.80	2.87	13.30	8.00	306.53

90° Elbow Fabricated 5-Segment DIPS, DR9

- Approval: NSF-61
- Approval: AWWA C906

Please call for more information on pricing, availability, other sizes and dimensions.

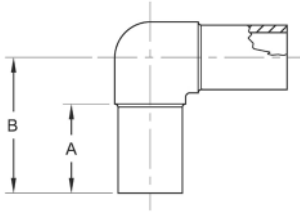


Size (inch)	SDR	Code	D (inch)	L1 (inch)	L2 (inch)	L3 (inch)	L4 (inch)	A (inch)	C (inch)	Weight (lb)
20	9	360 015 775	21.60	8.00	8.60	12.30	17.20	36.10	2.40	293.74



90° Butt Elbow
PE4710
DIPS, DR11

- Approval: ASTM D2513
- Approval: ASTM D3261
- Approval: AWWA C906
- Approval: NSF-61

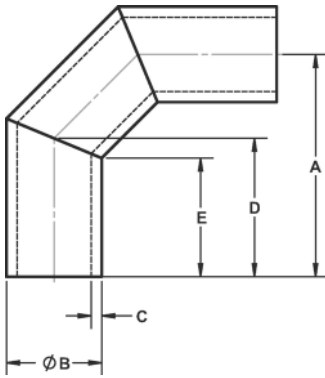


Size (inch)	GF Code	weight (lb)	A (inch)	B (inch)	Box Qty
4	360 000 273	4.3	4.10	7.82	10
6	360 000 282	9.0	5.10	9.67	2
8	360 000 296	19.0	5.17	11.58	2
10	360 000 245	39.0	6.00	13.25	1
12	360 000 256	62.5	7.50	15.88	1



90° Elbow Fabricated 3-Segment DIPS, DR11

- Approval: NSF-61
 - Approval: AWWA C906
- Please call for more information on pricing, availability, other sizes and dimensions.

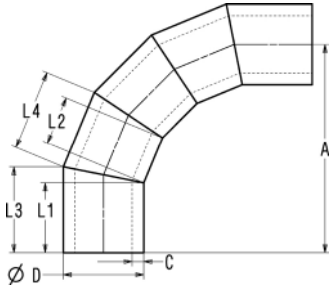


Size (inch)	SDR	Code	A (inch)	B (inch)	C (inch)	D (inch)	E (inch)	Weight (lb)
4	11	360 015 525	10.50	4.80	0.44	7.00	6.00	3.90
6	11	360 015 556	12.50	6.90	0.63	7.40	6.00	9.36
8	11	360 015 591	13.70	9.05	0.82	8.40	6.50	17.73
10	11	360 015 621	15.30	11.10	1.01	8.80	6.50	29.48
12	11	360 015 655	18.50	13.20	1.20	10.70	8.00	50.42
14	11	360 015 685	18.30	15.30	1.39	11.20	8.00	67.91
16	11	360 015 717	19.80	17.40	1.58	11.60	8.00	93.95
18	11	360 015 744	20.80	19.50	1.77	12.00	8.00	124.05
20	11	360 015 776	22.20	21.60	1.96	12.50	8.00	161.38
24	11	360 015 809	25.00	25.80	2.35	13.30	8.00	256.43

90° Elbow Fabricated 5-Segment DIPS, DR11



- Approval: NSF-61
 - Approval: AWWA C906
- Please call for more information on pricing, availability, other sizes and dimensions.

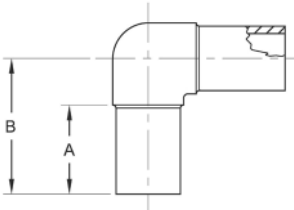


Size (inch)	SDR	Code	D (inch)	L1 (inch)	L2 (inch)	L3 (inch)	L4 (inch)	A (inch)	C (inch)	Weight (lb)
8	11	360 015 592	9.05	6.50	4.70	8.30	8.30	20.40	0.82	24.99
10	11	360 015 622	11.10	6.50	4.60	8.70	9.10	21.40	1.01	39.34
12	11	360 015 656	13.20	8.00	5.30	10.60	10.50	25.20	1.20	65.75
14	11	360 015 686	15.30	8.00	6.10	11.00	12.20	28.00	1.39	97.23
16	11	360 015 718	17.40	8.00	6.90	11.50	13.90	30.70	1.58	136.93
18	11	360 015 745	19.50	8.00	7.80	11.90	15.50	33.30	1.77	185.69
20	11	360 015 777	21.60	8.00	8.60	12.30	17.20	36.10	1.96	245.84

**90° Butt Elbow
PE4710
DIPS, DR17**

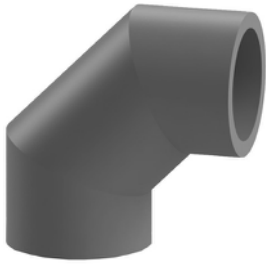


- Approval: ASTM D2513
- Approval: ASTM D3261
- Approval: AWWA C906
- Approval: NSF-61



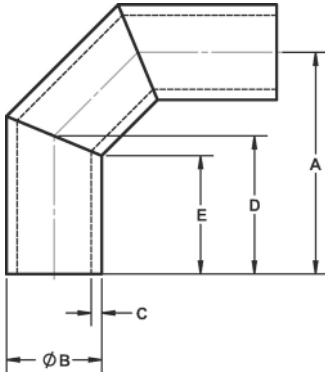
Size (inch)	GF Code	weight (lb)	A (inch)	B (inch)	Box Qty
6	360 000 283	10.5	5.10	9.67	2
8	360 000 297	21.0	5.17	11.58	2

90° Elbow Fabricated 3-Segment DIPS, DR17



- Approval: NSF-61
 - Approval: AWWA C906
- Please call for more information on pricing, availability, other sizes and dimensions.

Size (inch)	SDR	Code	A (inch)	B (inch)	C (inch)	D (inch)	E (inch)	Weight (lb)
8	17	360 015 593	13.70	9.05	0.53	8.40	6.50	11.87
10	17	360 015 623	15.30	11.10	0.65	8.80	6.50	19.75
12	17	360 015 657	18.50	13.20	0.78	10.70	8.00	33.76

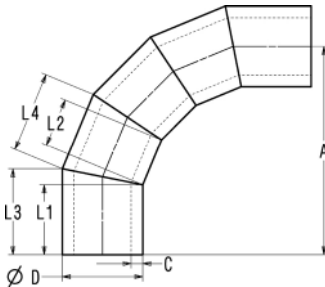


90° Elbow Fabricated 5-Segment DIPS, DR17



- Approval: NSF-61
 - Approval: AWWA C906
- Please call for more information on pricing, availability, other sizes and dimensions.

Size (inch)	SDR	Code	D (inch)	L1 (inch)	L2 (inch)	L3 (inch)	L4 (inch)	A (inch)	C (inch)	Weight (lb)
8	17	360 015 594	9.05	6.50	4.70	8.30	8.30	20.40	0.53	16.72
10	17	360 015 624	11.10	6.50	4.60	8.70	9.10	21.40	0.65	26.36
12	17	360 015 658	13.20	8.00	5.30	10.60	10.50	25.20	0.78	44.02
16	17	360 015 720	17.40	8.00	6.90	11.50	13.90	30.70	1.02	91.76
18	17	360 015 747	19.50	8.00	7.80	11.90	15.50	33.40	1.15	124.66
20	17	360 015 779	21.60	8.00	8.60	12.30	17.20	36.10	1.96	164.71
24	17	360 015 812	25.80	8.00	10.30	13.10	20.50	41.60	2.35	268.24



45° Butt Elbow

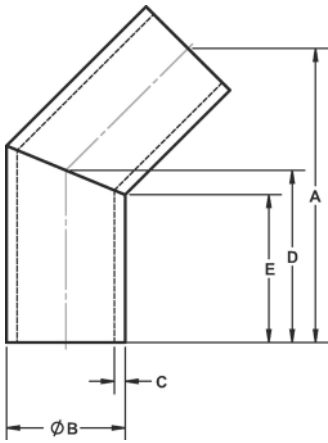


45° Elbow Fabricated 2-Segment DIPS, DR7

- Approval: NSF-61
- Approval: AWWA C906

Please call for more information on pricing, availability, other sizes and dimensions.

Size (inch)	SDR	Code	A (inch)	B (inch)	C (inch)	D (inch)	E (inch)	Weight (lb)
12	7	360 015 637	18.30	13.20	1.89	10.70	8.00	49.46
14	7	360 028 565	33.50	15.30	2.19	19.60	8.00	66.00
16	7	360 015 702	19.80	17.40	1.93	11.60	8.00	74.92
18	7		20.56	19.50	2.79	12.04	8.00	114.00
20	7	360 015 760	21.29	21.60	3.09	12.47	8.00	153.96

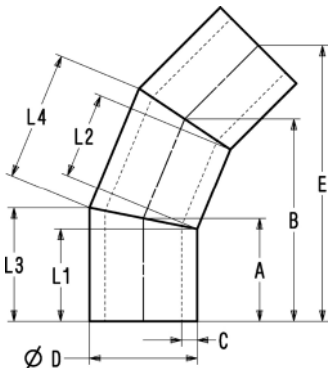


45° Elbow Fabricated 3-Segment DIPS, DR7

- Approval: NSF-61
- Approval: AWWA C906

Please call for more information on pricing, availability, other sizes and dimensions.

Size (inch)	SDR	Code	D (inch)	L1 (inch)	L2 (inch)	L3 (inch)	L4 (inch)	A (inch)	B (inch)	E (inch)	C (inch)	Weight (lb)
14	7	360 028 568	15.30	16.00	6.90	19.50	13.80	17.70	27.30	39.90	2.19	197.38

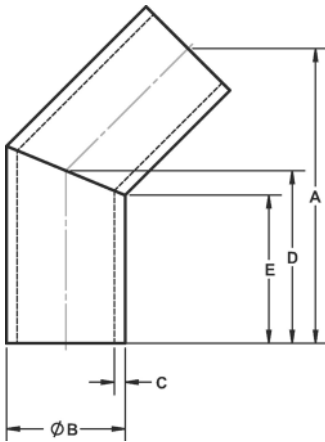


45° Elbow Fabricated 2-Segment DIPS, DR9



- Approval: NSF-61
 - Approval: AWWA C906
- Please call for more information on pricing, availability, other sizes and dimensions.

Size (inch)	SDR	Code	A (inch)	B (inch)	C (inch)	D (inch)	E (inch)	Weight (lb)
4	9	360 015 510	11.90	4.80	0.53	7.00	6.00	3.43
6	9	360 015 543	12.70	6.90	0.77	7.40	6.00	7.55
8	9	360 015 575	14.30	9.05	1.01	8.40	6.50	14.63
10	9	360 015 607	15.00	11.10	1.23	8.80	6.50	23.13
12	9	360 015 639	18.30	13.20	1.47	10.70	8.00	39.90
14	9	360 015 672	19.10	15.30	1.70	11.20	8.00	55.79
16	9	360 015 702	19.80	17.40	1.93	11.60	8.00	74.92
18	9	360 015 732	20.60	19.50	2.17	12.00	8.00	97.70

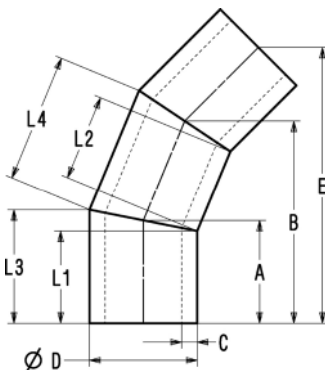


45° Elbow Fabricated 3-Segment DIPS, DR9



- Approval: NSF-61
 - Approval: AWWA C906
- Please call for more information on pricing, availability, other sizes and dimensions.

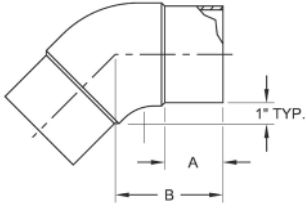
Size (inch)	SDR	Code	D (inch)	L1 (inch)	L2 (inch)	L3 (inch)	L4 (inch)	A (inch)	B (inch)	E (inch)	C (inch)	Weight (lb)
16	9	360 015 703	17.40	8.00	6.90	11.50	13.80	9.70	19.30	26.20	1.93	96.42





45° Butt Elbow
PE4710
DIPS, DR11

- Approval: ASTM D2513
- Approval: ASTM D3261
- Approval: AWWA C906
- Approval: NSF-61



Size (inch)	GF Code	weight (lb)	A (inch)	B (inch)	Box Qty
4	360 000 192	3.1	4.10	6.05	10
6	360 000 204	8.9	5.10	7.16	2
8	360 000 217	14.8	5.17	8.32	2
10	360 000 166	43.0	6.00	13.25	1
12	360 000 176	68.0	7.50	15.88	1

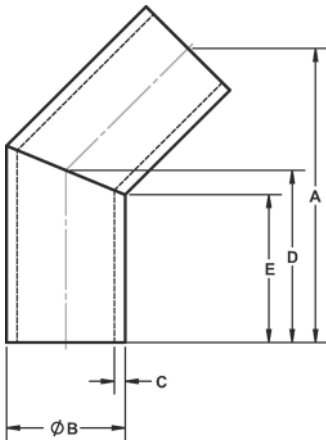
45° Elbow Fabricated 2-Segment DIPS, DR11

- Approval: NSF-61
- Approval: AWWA C906

Please call for more information on pricing, availability, other sizes and dimensions.



Size (inch)	SDR	Code	A (inch)	B (inch)	C (inch)	D (inch)	E (inch)	Weight (lb)
4	11	360 015 512	11.90	4.80	0.44	7.00	6.00	2.87
6	11	360 015 545	12.70	6.90	0.63	7.40	6.00	6.31
8	11	360 015 577	14.30	9.05	0.82	8.40	6.50	12.24
10	11	360 015 609	15.00	11.10	1.01	8.80	6.50	19.36
12	11	360 015 641	18.30	13.20	1.20	10.70	8.00	33.38
14	11	360 015 674	19.10	5.30	1.39	11.20	8.00	46.69
16	11	360 015 704	19.80	17.40	1.58	11.60	8.00	62.70
18	11	360 015 734	20.60	19.50	1.77	12.00	8.00	81.75
20	11	360 015 763	21.30	21.60	1.96	12.50	8.00	103.89

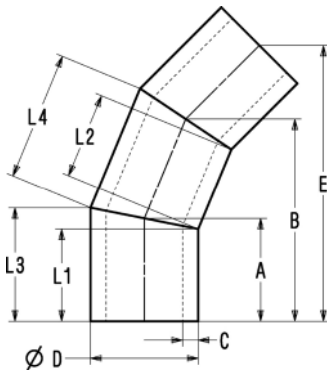


45° Elbow Fabricated 3-Segment DIPS, DR11

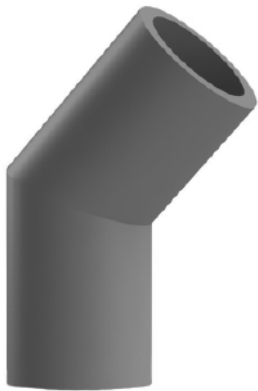


- Approval: NSF-61
 - Approval: AWWA C906
- Please call for more information on pricing, availability, other sizes and dimensions.

Size (inch)	SDR	Code	D (inch)	L1 (inch)	L2 (inch)	L3 (inch)	L4 (inch)	A (inch)	B (inch)	E (inch)	C (inch)	Weight (lb)
6	11	360 015 546	6.90	6.00	5.00	7.40	7.70	6.70	12.60	17.30	0.63	8.39
8	11	360 015 578	9.05	6.50	4.60	8.30	8.20	7.40	13.40	18.60	0.82	15.54
10	11	360 015 610	11.10	6.50	4.60	8.70	9.00	7.60	13.90	19.30	1.01	24.26
12	11	360 015 642	13.20	8.00	5.30	10.60	10.50	9.30	16.60	23.20	1.20	41.26
15	11	360 015 675	15.30	8.00	6.10	11.00	12.20	9.50	18.00	24.70	1.39	58.94
16	11	360 015 705	17.40	8.00	6.90	11.50	13.80	9.70	19.30	26.20	1.58	80.70
18	11	360 015 735	19.50	8.00	7.80	11.90	15.50	9.90	20.70	27.70	1.77	107.06
20	11	360 015 764	21.60	8.00	8.60	12.30	17.20	10.10	22.10	29.20	1.96	138.33

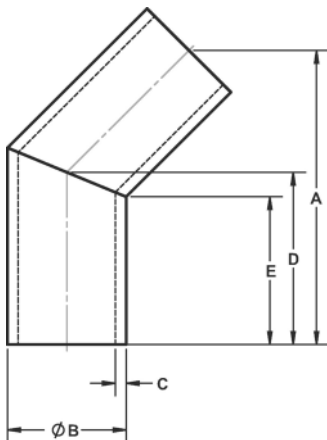


45° Elbow Fabricated 2-Segment DIPS, DR17



- Approval: NSF-61
- Approval: AWWA C906

Size (inch)	SDR	Code	A (inch)	B (inch)	C (inch)	D (inch)	E (inch)	Weight (lb)
4	17	360 015 514	11.90	4.80	0.28	7.00	6.00	1.92
6	17	360 015 547	12.70	6.90	0.41	7.40	6.00	4.23
8	17	360 015 579	14.30	9.05	0.53	8.40	6.50	8.19
10	17	360 015 611	15.00	11.10	0.65	8.80	6.50	12.97
12	17	360 015 643	18.30	13.20	0.78	10.70	8.00	22.35
14	17	360 015 676	19.10	15.30	0.90	11.20	8.00	31.27
16	17	360 015 706	19.80	17.40	1.02	11.60	8.00	42.02
18	17	360 015 736	20.60	19.50	1.15	12.00	8.00	54.75
20	17	360 015 765	21.30	21.60	1.27	12.50	8.00	69.61
24	17	360 015 799	22.80	25.80	1.52	13.30	8.00	106.22

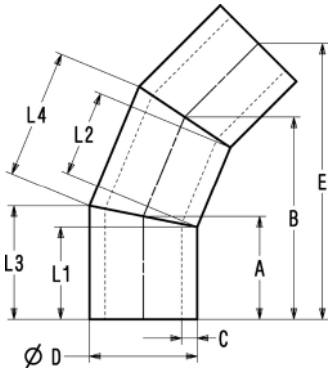


45° Elbow Fabricated 3-Segment DIPS, DR17



- Approval: NSF-61
 - Approval: AWWA C906
- Please call for more information on pricing, availability, other sizes and dimensions.

Size	SDR	Code	D	L1	L2	L3	L4	A	B	E	C	Weight
(inch)			(inch)	(inch)	(inch)	(inch)	(inch)	(inch)	(inch)	(inch)	(inch)	(lb)
16	17	360 015 707	17.40	8.00	6.90	11.50	13.80	9.70	19.30	26.20	1.02	54.08



22.5° Elbows

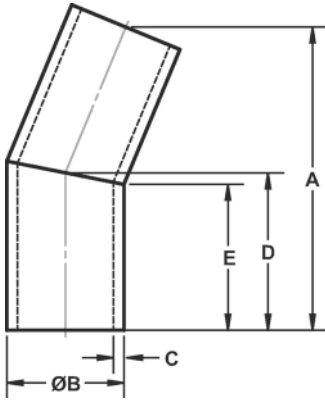


22.5° Elbow Fabricated DIPS, DR9

Please call for more information on pricing, availability, other sizes and dimensions.

- Approval: NSF-61
- Approval: AWWA C906

Size (inch)	SDR	Code	A (inch)	B (inch)	C (inch)	D (inch)	E (inch)	Weight (lb)
4	9	360 015 503	12.50	4.80	0.53	6.50	6.0	3.18
6	9	360 015 536	12.87	6.90	0.77	6.69	6.0	6.80
8	9	360 015 567	14.20	9.05	1.01	7.40	6.5	12.94
10	9	360 015 600	14.60	11.10	1.23	7.60	6.5	19.97
12	9	360 015 631	17.90	13.20	1.47	9.30	8.0	34.62
14	9	360 015 665	18.30	15.30	1.70	9.50	8.0	47.55
16	9	360 015 695	18.70	17.40	1.93	9.70	8.0	62.84



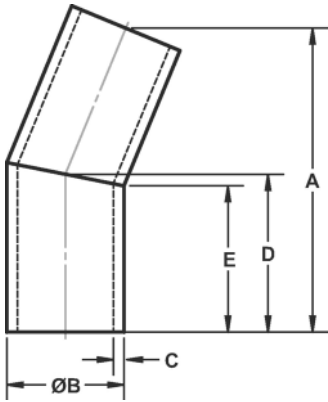
22.5° Elbow Fabricated DIPS, DR11

Please call for more information on pricing, availability, other sizes and dimensions.

- Approval: NSF-61
- Approval: AWWA C906



Size (inch)	SDR	Code	A (inch)	B (inch)	C (inch)	D (inch)	E (inch)	Weight (lb)
4	11	360 015 504	12.50	4.80	0.44	6.50	6.0	2.66
6	11	360 015 537	12.90	6.90	0.63	6.70	6.0	5.68
8	11	360 015 568	14.20	9.05	0.82	7.40	6.5	10.82
10	11	360 015 601	14.60	11.10	1.01	7.60	6.5	16.72
12	11	360 015 632	17.90	13.20	1.20	9.30	8.0	28.96
14	11	360 015 666	18.30	15.30	1.39	9.50	8.0	39.79
16	11	360 015 696	18.70	17.40	1.58	9.70	8.0	52.60
18	11	360 015 727	19.10	19.50	1.77	9.90	8.0	67.49
20	11	360 015 755	19.50	21.60	1.96	10.20	8.0	84.56

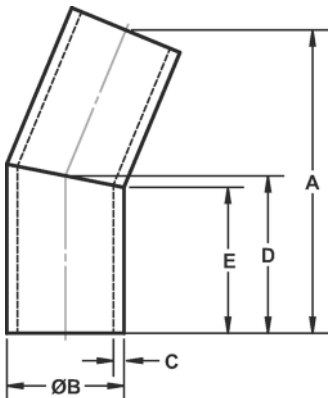


22.5° Elbow Fabricated DIPS, DR17

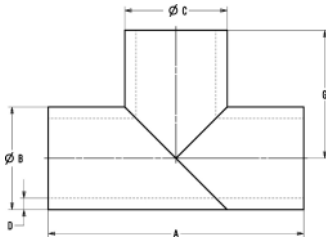
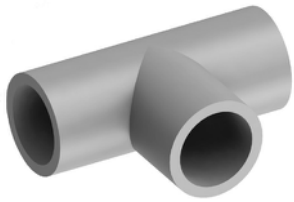
- Approval: NSF-61
- Approval: AWWA C906



Size (inch)	SDR	Code	A (inch)	B (inch)	C (inch)	D (inch)	E (inch)	Weight (lb)
8	17	360 015 569	14.20	9.05	0.53	7.40	6.5	7.24
10	17	360 015 602	14.60	11.10	0.65	7.60	6.5	11.20
12	17	360 015 633	17.90	13.20	0.78	9.30	8.0	19.39
14	17	360 015 667	18.30	15.30	0.90	9.50	8.0	26.65
16	17	360 015 697	18.70	17.40	1.02	9.70	8.0	35.25
18	17	360 015 728	19.10	19.50	1.15	9.90	8.0	45.20



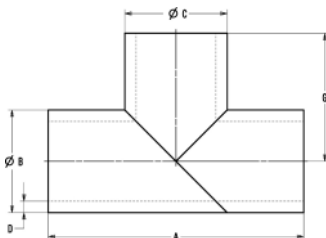
Butt Tees DIPS



Tee Fabricated DIPS, DR7

- Approval: NSF-61
 - Approval: AWWA C906
- Please call for more information on pricing, availability, other sizes and dimensions.

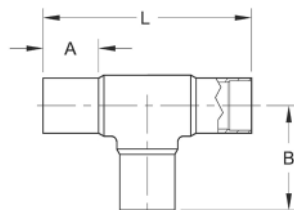
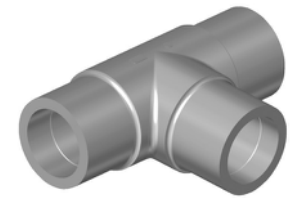
Size (inch)	SDR	Code	A (inch)	B (inch)	C (inch)	D (inch)	G (inch)	Weight (lb)
8	7	360 017 142	25.00	9.05	9.08	1.29	12.53	35.24



Tee Fabricated DIPS, DR9

- Approval: NSF-61
 - Approval: AWWA C906
- Please call for more information on pricing, availability, other sizes and dimensions.

Size (inch)	SDR	Code	A (inch)	B (inch)	C (inch)	D (inch)	G (inch)	Weight (lb)
6	9	360 017 136	18.90	6.90	6.90	0.77	9.55	12.44
8	9	360 017 143	25.00	9.05	9.05	1.01	12.53	28.29
10	9	360 017 150	27.10	11.10	11.10	1.23	13.65	45.20
12	9	360 017 156	29.20	13.20	13.20	1.47	14.60	67.49
14	9	360 017 161	33.30	15.30	15.30	1.70	16.70	103.16
16	9	360 017 167	35.40	17.40	17.40	1.93	17.70	139.56

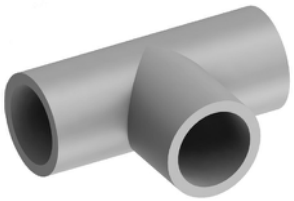


Butt Tee PE4710 DIPS, DR11

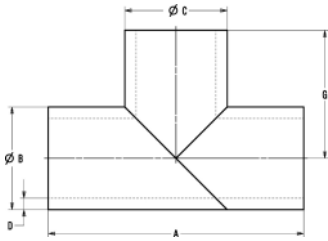
- Approval: ASTM D3261
- Approval: AWWA C906
- Approval: NSF-61

Size (inch)	GF weight Code	(lb)	A (inch)	B (inch)	L (inch)	Box Qty
4	360 000 524	6.2	4.10	7.82	15.63	5
6	360 000 535	13.0	5.10	9.67	19.34	1
8	360 000 548	30.0	5.17	11.58	23.15	1
10	360 000 492	54.0	6.00	13.25	26.50	1
12	360 000 502	88.0	7.50	15.88	31.76	1

Tee Fabricated DIPS, DR11

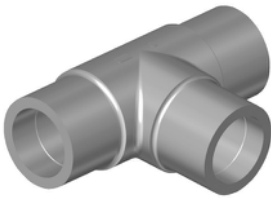


- Approval: NSF-61
 - Approval: AWWA C906
- Please call for more information on pricing, availability, other sizes and dimensions.

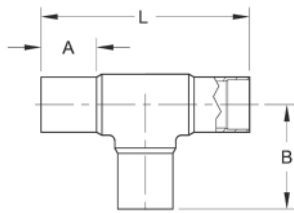


Size (inch)	SDR	Code	A (inch)	B (inch)	C (inch)	D (inch)	G (inch)	Weight (lb)
4	11	360 017 130	16.90	4.80	4.80	0.44	8.40	4.63
6	11	360 017 137	18.90	6.90	6.90	0.63	9.55	10.36
8	11	360 017 144	25.00	9.05	9.05	0.82	12.53	23.59
10	11	360 017 151	27.10	11.10	11.10	1.01	13.65	37.68
12	11	360 017 157	29.20	13.20	13.20	1.20	14.60	56.22
14	11	360 017 162	33.30	15.30	15.30	1.39	16.75	56.22
16	11	360 017 168	35.40	17.40	17.40	1.58	17.70	116.25
18	11	360 017 173	39.50	19.50	19.50	1.77	19.85	162.93
20	11	360 017 179	41.60	21.60	21.60	1.96	20.80	207.74
24	11	360 017 184	49.80	25.80	25.80	2.35	24.90	354.89

**Butt Tee
PE4710
DIPS, DR17**

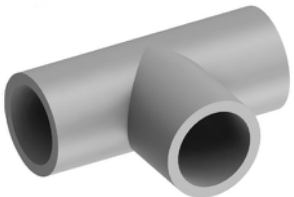


- Approval: AWWA C906
- Approval: NSF-61

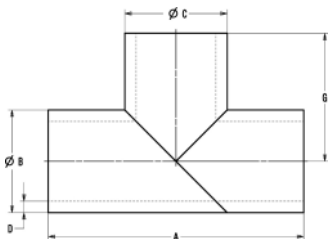


Size (inch)	GF weight Code	(lb)	A (inch)	B (inch)	L (inch)	Box Qty
6	360 000 536	15.2	5.10	9.67	19.34	1
8	360 000 549	27.7	5.17	11.58	23.15	1

Tee Fabricated DIPS, DR17

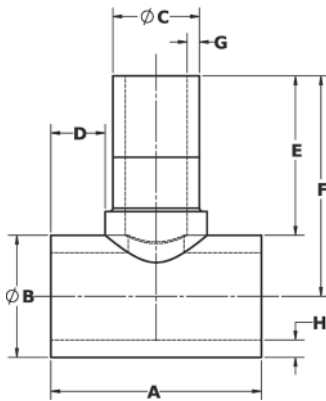
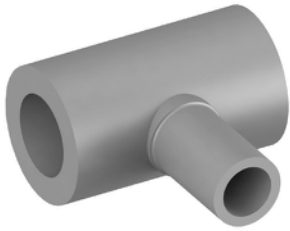


- Approval: NSF-61
 - Approval: AWWA C906
- Please call for more information on pricing, availability, other sizes and dimensions.



Size (inch)	SDR	Code	A (inch)	B (inch)	C (inch)	D (inch)	G (inch)	Weight (lb)
6	17	360 017 139	18.90	6.90	6.90	0.41	9.55	6.91
8	17	360 017 146	25.00	9.05	9.05	0.53	12.50	15.70
10	17	360 017 152	27.10	11.10	11.10	0.65	13.65	25.09
12	17	360 017 158	29.20	13.20	13.20	0.78	14.60	37.37
14	17	360 017 163	33.30	15.30	15.30	0.90	16.75	95.00

Reducing Tees



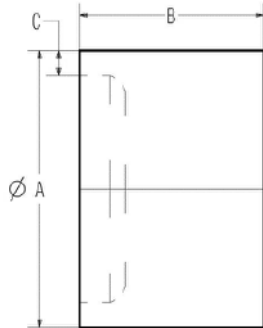
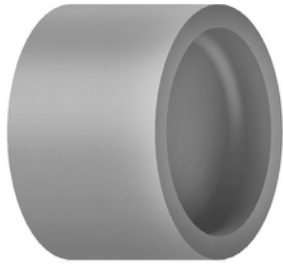
Branch Saddle Butt Reduced Tee Fabricated DIPS, DR11

- Approval: NSF-61
- Approval: AWWA C906

Please call for more information on pricing, availability, other sizes and dimensions.

Size (inch)	SDR	Code	A (inch)	B (inch)	C (inch)	D (inch)	E (inch)	F (inch)	G (inch)	H (inch)	Weight (lb)
6 x 4	11	360 018 679	18.63	6.90	4.80	6.00	10.75	14.20	0.436	0.627	10.85
8 x 4	11	360 018 684	22.63	9.05	4.80	8.00	10.75	15.28	0.436	0.823	19.27
8 x 6	11	360 018 689	21.60	9.05	6.90	6.50	12.50	17.03	0.630	0.820	22.66
10 x 4	11	360 018 693	22.63	11.10	4.80	8.00	10.75	16.30	0.436	1.009	27.47
10 x 6	11	360 018 697	24.63	11.10	6.90	8.00	12.25	17.80	0.627	1.009	33.27
10 x 8	11	360 018 701	24.00	11.10	9.05	6.45	18.85	24.40	0.823	1.009	48.00
12 x 4	11	360 018 706	22.63	13.20	4.80	8.00	11.00	17.60	0.436	1.200	37.87
12 x 6	11	360 018 712	24.63	13.20	6.90	8.00	12.50	19.10	0.627	1.200	44.51
12 x 8	11	360 018 718	27.50	13.20	9.05	8.00	19.50	26.10	0.823	1.200	59.76
12 x 10	11	360 018 724	30.00	13.20	11.10	8.40	19.80	26.40	1.009	1.200	86.00
14 x 6	11	360 018 732	24.63	15.30	6.90	8.00	12.75	20.40	0.627	1.391	57.73
14 x 8	11	360 018 736	27.50	15.30	9.05	8.00	19.75	27.40	0.823	1.391	74.39
14 x 10	11	360 018 740	30.00	15.30	11.10	7.35	19.35	27.00	1.009	1.391	96.46
14 x 12	11	360 018 744	32.00	15.30	13.20	8.35	21.35	29.00	1.200	1.391	106.82
16 x 6	11	360 018 753	24.63	17.40	6.90	8.00	13.00	21.70	0.627	1.582	72.93
16 x 8	11	360 018 757	27.50	17.40	9.05	8.00	19.75	28.45	0.823	1.582	90.79
16 x 10	11	360 018 762	29.80	17.40	11.10	8.00	22.00	30.70	1.009	1.582	108.70
18 x 10	11	360 018 784	29.80	19.50	11.10	8.00	22.25	32.00	1.009	1.773	129.30
18 x 12	11	360 018 788	31.30	19.50	13.20	8.00	25.50	35.25	1.200	1.773	150.95
20 x 3	11	360 031 892	30.00	21.60	3.50	8.00	10.80	21.60	0.318	1.964	81.60
20 x 6	11	360 018 798	24.63	21.60	6.90	8.00	13.50	24.30	0.627	1.964	109.17
20 x 8	11	360 018 802	27.50	21.60	9.05	8.00	20.25	31.05	0.823	1.964	131.30
20 x 12	11	360 018 811	31.30	21.60	13.20	8.00	26.00	36.80	1.200	1.964	173.73

End Caps



End Caps DIPS, DR11

- Approval: NSF-61
- Approval: AWWA C906
- Approval: ASTM D3261 (indicated with *)

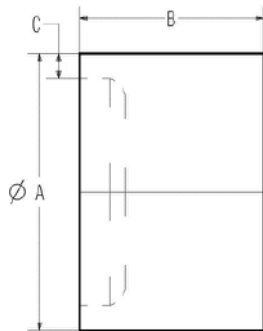
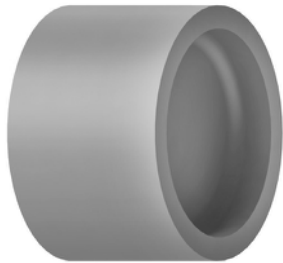
Please call for more information on pricing, availability, other sizes and dimensions.

Size (inch)	SDR	Code	A (inch)	B (inch)	C (inch)	D (inch)	E (inch)	Weight (lb)	ASTM D3261
4	11	360 015 411	4.80	3.00	0.44	2.25	0.75	1.55	
6	11	360 015 413	6.90	3.00	0.63	2.25	0.75	3.21	
8	11	360 015 416	9.05	3.00	0.82	2.25	0.75	5.53	
10	11	360 015 418	11.10	4.00	1.01	3.25	0.75	11.64	*
12	11	360 015 420	13.20	4.00	1.20	3.25	0.75	16.46	
14	11	360 015 422	15.30	5.00	1.39	1.70	3.30	30.00	
16	11	360 015 424	17.40	5.00	1.58	4.25	0.75	36.78	
18	11	360 015 426	19.50	5.00	1.77	4.25	0.75	46.20	
20	11	360 015 428	21.60	6.00	1.96	5.25	0.75	69.28	*

End Caps DIPS, DR17

- Approval: NSF-61
- Approval: AWWA C906
- Approval: ASTM D3261

Please call for more information on pricing, availability, other sizes and dimensions.



Size (inch)	SDR	Code	A (inch)	B (inch)	C (inch)	D (inch)	E (inch)	Weight (lb)
8	17	360 015 417	9.05	3.00	0.53	2.25	0.75	5.34
10	17	360 015 419	11.10	4.00	0.65	2.00	1.00	12.00
12	17	360 015 421	13.20	4.00	0.78	3.25	0.75	16.08
14	17	360 015 423	15.30	4.00	0.90	3.25	0.75	21.60

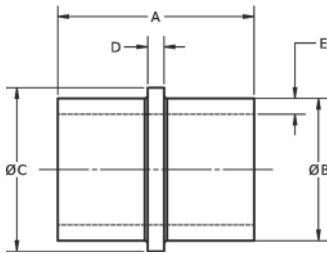
Waterstops

Water Stop DIPS, DR9



- Approval: NSF-61
- Approval: AWWA C906
- Approval: ASTM D3261

Please call for more information on pricing, availability, other sizes and dimensions.



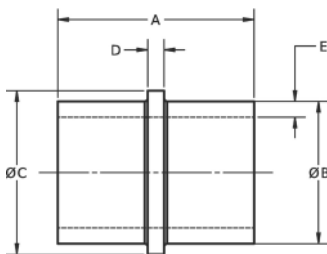
Size (inch)	SDR	Code	A (inch)	B (inch)	C (inch)	D (inch)	E (inch)	Weight (lb)
4	9	360 029 036	12.00	4.80	6.60	2.00	0.53	4.00
6	9	360 019 583	12.00	6.90	8.50	2.00	0.77	7.41
8	9	360 019 588	16.00	9.05	10.63	2.00	1.01	15.00
10	9	360 019 594	18.00	11.10	12.75	2.00	1.23	25.74
12	9	360 019 599	22.00	13.20	15.00	2.00	1.47	43.57
14	9	360 061 477	22.00	15.30	17.50	2.00	1.70	39.00
16	9	360 019 606	24.00	17.40	20.00	2.00	1.93	88.00

Water Stop DIPS, DR11



- Approval: NSF-61
- Approval: AWWA C906
- Approval: ASTM D3261

Please call for more information on pricing, availability, other sizes and dimensions.



Size (inch)	SDR	Code	A (inch)	B (inch)	C (inch)	D (inch)	E (inch)	Weight (lb)
4	11	360 019 579	12.00	4.80	6.60	2.00	0.44	4.00
6	11	360 019 584	12.00	6.90	8.50	2.00	0.63	7.00
8	11	360 019 589	16.00	9.05	10.63	2.00	0.82	15.00
10	11	360 019 595	18.00	11.10	12.75	2.00	1.01	21.89
12	11	360 019 600	22.00	13.20	15.00	2.00	1.20	39.00
14	11	360 061 719	22.00	15.30	17.50	2.00	1.39	59.00
16	11	360 019 607	24.00	17.40	20.00	2.00	1.58	78.00
18	11	360 028 632	24.00	19.50	21.12	2.00	1.77	106.00
20	11	360 060 297	24.00	21.60	23.50	2.00	1.96	131.00
24	11	360 019 614	28.00	25.80	28.00	2.00	2.35	194.94

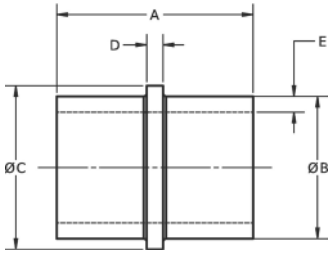
Water Stop DIPS, DR17



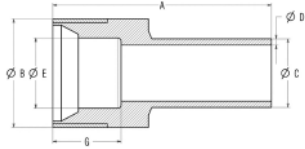
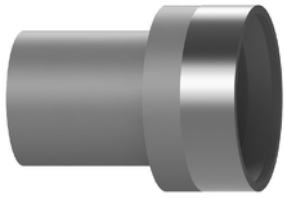
- Approval: NSF-61
- Approval: AWWA C906
- Approval: ASTM D3261

Please call for more information on pricing, availability, other sizes and dimensions.

Size (inch)	SDR	Code	A (inch)	B (inch)	C (inch)	D (inch)	E (inch)	Weight (lb)
10	17	360 019 596	18.00	11.10	12.75	2.00	0.65	15.36
12	17	360 019 601	22.00	13.20	15.00	2.00	0.78	25.62
14	17	360 061 310	22.00	15.30	17.50	2.00	0.90	59.00
16	17	360 031 946	24.00	17.40	20.00	2.00	1.02	88.00



Bell End MJ






DIPS Bell End MJ

Please call for more information on pricing, availability, other sizes and dimensions.

- Approval: NSF-61
- Approval: AWWA C906
- Approval: ASTM D3261 (indicated with *)

Size (inch)	SDR	Code	A (inch)	B (inch)	C (inch)	D (inch)	E (inch)	G (inch)	Weight (lb)	ASTM D3261
4	11	360 017 516	8.60	6.63	4.80	0.44	4.93	2.50	4.20	
6	11	360 017 518	10.30	8.63	6.90	0.63	7.03	2.50	7.16	
8	11	360 017 520	12.00	10.75	9.05	0.82	9.15	2.50	12.81	
10	11	360 017 522	12.50	12.75	11.10	1.01	11.23	2.50	17.86	
12	11	360 017 524	12.80	15.30	13.20	1.20	13.33	2.50	25.54	*
14	11	360 017 526	13.50	18.00	15.30	1.39	15.47	3.50	42.16	
16	11	360 017 528	14.00	20.00	17.40	1.58	17.57	3.50	51.96	

DIPS HDPE Adapters

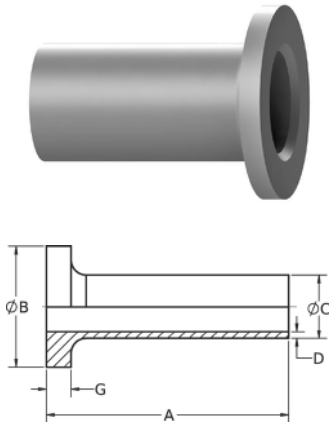
DIPS HDPE Adapters		Page
	Flange Adapters	132
	Bolt Rings	136
	MJ Adapters	138

Flange Adapters

Flange Adaptor DIPS, DR7

Please call for more information on pricing, availability, other sizes and dimensions.

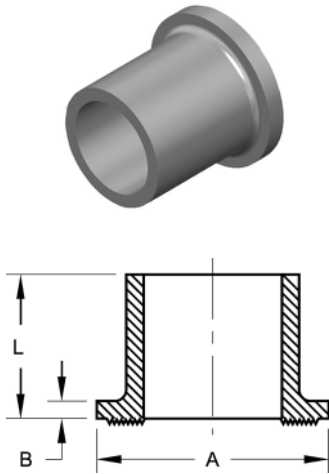
- Approval: NSF-61
- Approval: AWWA C906
- Approval: ASTM D3261



Size (inch)	SDR	Code	A (inch)	B (inch)	C (inch)	D (inch)	G (inch)	Weight (lb)
10	7	360 028 476	9.50	12.75	11.10	1.59	2.00	17.54
12	7	360 032 162	11.00	15.97	12.20	1.89	2.13	29.81
14	7	360 028 566	11.60	17.50	15.30	2.19	2.75	41.11
16	7	360 031 964	11.50	19.90	17.40	2.49	2.88	59.12
18	7	360 028 635	12.00	21.50	19.50	2.79	3.50	67.82

FLANGE ADAPTER PE4710 DIPS, DR9

- Approval: ASTM D3261
- Approval: AWWA C906
- Approval: NSF-61

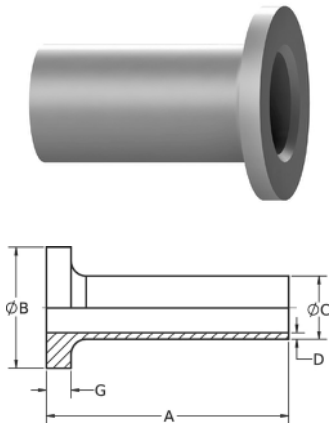


Size (inch)	GF Code	GF weight (lb)	A (inch)	B (inch)	L (inch)	Box Qty
6	360 001 569	5.7	8.60	1.08	8.00	2
8	360 004 292	9.5	10.72	1.38	9.00	2
10	360 001 420	15.0	13.17	1.88	9.00	2
12	360 001 437	29.0	15.97	2.13	11.00	2

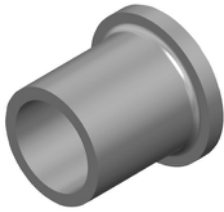
Flange Adaptor DIPS, DR9

Please call for more information on pricing, availability, other sizes and dimensions.

- Approval: NSF-61
- Approval: AWWA C906
- Approval: ASTM D3261

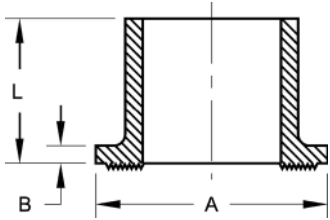


Size (inch)	SDR	Code	A (inch)	B (inch)	C (inch)	D (inch)	G (inch)	Weight (lb)
14	9	360 016 640	11.00	17.50	15.30	1.70	2.13	31.48
16	9	360 016 646	12.00	20.00	17.40	1.93	2.50	45.13
18	9	360 016 654	12.00	21.12	19.50	2.17	2.22	54.79
20	9	360 016 661	12.00	23.50	21.60	2.40	2.46	57.00
24	9	360 016 668	14.00	17.75	25.80	2.87	3.63	109.19

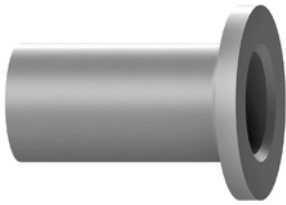


**FLANGE ADAPTER
PE4710
DIPS, DR11**

- Approval: ASTM D3261
- Approval: AWWA C906
- Approval: NSF-61



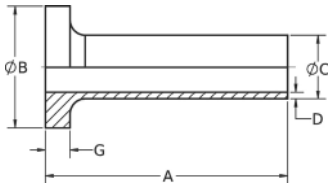
Size (inch)	GF Code	weight (lb)	A (inch)	B (inch)	L (inch)	Box Qty
4	360 001 550	1.8	6.60	0.68	5.90	10
6	360 001 564	4.5	8.60	1.08	8.00	2
8	360 001 584	9.0	10.72	1.38	9.00	2
10	360 001 415	15.4	13.17	1.88	9.00	1
12	360 001 433	23.9	15.97	2.13	11.00	2



Flange Adaptor DIPS, DR11

Please call for more information on pricing, availability, other sizes and dimensions.

- Approval: NSF-61
- Approval: AWWA C906
- Approval: ASTM D3261

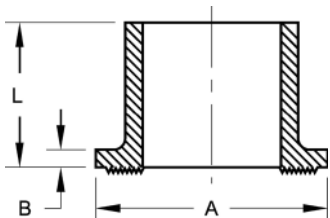


Size (inch)	SDR	Code	A (inch)	B (inch)	C (inch)	D (inch)	G (inch)	Weight (lb)
18	11	360 016 655	12.00	21.50	19.50	1.77	2.25	45.53
20	11	360 016 662	12.00	23.60	21.60	1.96	2.50	55.86
24	11	360 016 669	14.00	27.75	25.80	2.35	3.00	91.25



**FLANGE ADAPTER
PE4710
DIPS, DR17**

- Approval: ASTM D3261
- Approval: AWWA C906
- Approval: NSF-61

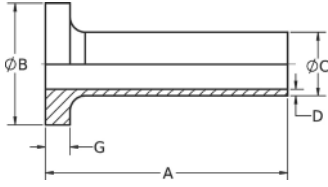
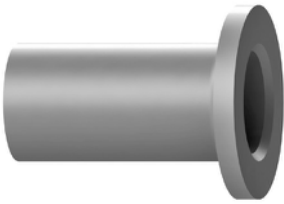


Size (inch)	GF Code	weight (lb)	A (inch)	B (inch)	L (inch)	Box Qty
6	360 001 568	3.8	8.60	1.08	8.00	2
8	360 001 587	7.5	10.72	1.38	9.00	2
10	360 001 419	10.8	13.17	1.88	9.00	1
12	360 001 436	17.8	15.97	2.13	11.00	2

Flange Adaptor DIPS, DR17

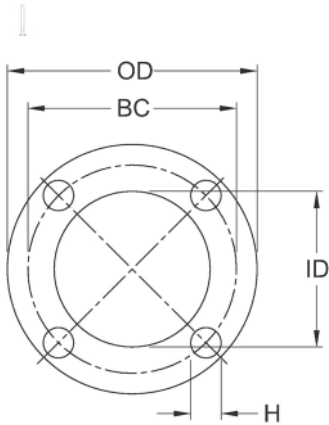
Please call for more information on pricing, availability, other sizes and dimensions.

- Approval: NSF-61
- Approval: AWWA C906
- Approval: ASTM D3261



Size (inch)	SDR	Code	A (inch)	B (inch)	C (inch)	D (inch)	G (inch)	Weight (lb)
20	17	360 016 664	12.00	23.60	21.60	1.27	2.50	39.43
24	17	360 016 670	14.00	27.75	25.80	1.52	3.00	63.93

Bolt Rings

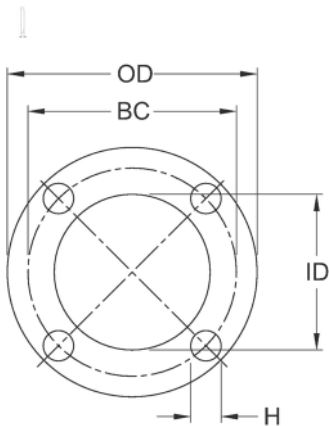


Standard DIPS Bolt Rings PC 335

- Approval: GR 65/45/12
- Approval: ASTM A536
- Approval: FM 1613
- Approval: CL335

Please call for more information on pricing, availability, other sizes and dimensions.

Size (inch)	Code	OD (inch)	BC (inch)	ID (inch)	H (inch)	T (inch)	Bolt Holes	Weight (lb)
4	360 014 654	8.94	7.50	4.90	0.75	0.94	8	4.68
6	360 014 658	10.88	9.50	7.00	0.88	1.00	8	7.00
8	360 014 662	13.38	11.75	9.19	0.88	1.13	8	10.50
10	360 014 666	15.88	14.25	11.25	1.00	1.19	12	14.52
12	360 014 670	18.88	17.00	13.38	1.00	1.50	12	24.10
14	360 014 674	20.88	18.75	15.49	1.13	1.63	12	30.81
16	360 014 678	23.38	21.25	17.59	1.13	1.84	16	40.58
18	360 014 682	25.13	22.75	19.69	1.25	2.00	16	51.23
20	360 014 686	27.38	25.00	21.85	1.25	2.23	20	60.87
24	360 014 690	32.13	29.50	26.05	1.38	2.56	20	91.43



Epoxy Coated DIPS Bolt Rings PC 335

- Approval: GR 65/45/12
- Approval: ASTM A536
- Approval: FM 1613
- Approval: CL335

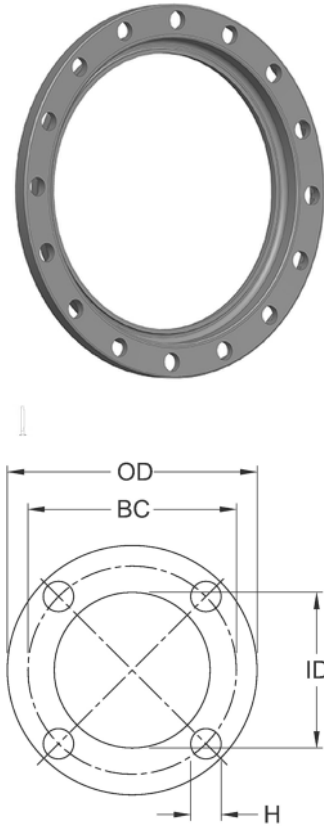
Please call for more information on pricing, availability, other sizes and dimensions.

Size (inch)	Code	OD (inch)	BC (inch)	ID (inch)	H (inch)	T (inch)	Bolt Holes	Weight (lb)
4	360 014 696	9.00	7.50	4.90	0.75	0.94	8	5.00
6	360 014 700	11.00	9.50	7.00	0.88	1.00	8	8.00
8	360 014 704	13.50	11.75	9.19	0.88	1.13	8	11.00
10	360 014 708	16.00	14.25	11.25	1.00	1.19	12	16.00
12	360 014 712	19.00	17.00	13.38	1.00	1.50	12	26.00
14	360 014 716	21.00	18.75	15.49	1.13	1.63	12	31.00
16	360 014 720	23.50	21.25	17.59	1.13	1.84	16	42.00
18	360 014 724	25.00	22.75	19.70	1.25	2.00	16	51.00
20	360 014 728	27.50	25.00	21.85	1.25	2.23	20	61.00
24	360 014 732	32.00	29.50	26.05	1.38	2.56	20	94.00

Galvanized DIPS Bolt Rings PC 335

- Approval: GR 65/45/12
- Approval: ASTM A536
- Approval: FM 1613
- Approval: CL335

Please call for more information on pricing, availability, other sizes and dimensions.

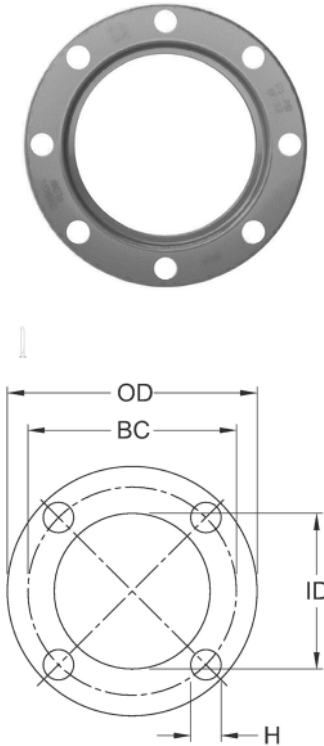


Size (inch)	Code	OD (inch)	BC (inch)	ID (inch)	H (inch)	T (inch)	Bolt Holes	Weight (lb)
4	360 014 737	9.00	7.50	4.90	0.75	0.94	8	5.00
6	360 014 741	11.00	9.50	7.00	0.88	1.00	8	8.00
8	360 014 745	13.50	11.75	9.19	0.88	1.13	8	11.00
10		16.00	14.25	11.25	1.00	1.19	12	16.00
12	360 014 753	19.00	17.00	13.38	1.00	1.50	12	26.00
14	360 014 757	21.00	18.75	15.49	1.13	1.63	12	31.00
16	360 014 761	23.50	21.25	17.59	1.13	1.84	16	42.00
18	360 014 765	25.00	22.75	19.70	1.25	2.00	16	51.00
20	360 014 769	27.50	25.00	21.85	1.25	2.23	20	61.00
24	360 014 773	32.00	29.50	26.05	1.38	2.56	20	94.00

Stainless DIPS Bolt Rings PC 335

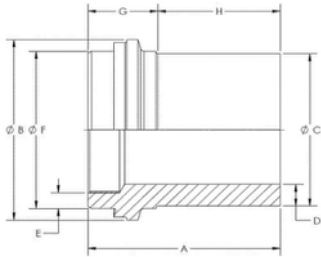
- Approval: ASTM A351-CF8M
- Approval: FM 1613 (indicated with *)
- Approval: CL335 (indicated with **)

Please call for more information on pricing, availability, other sizes and dimensions.



Size (inch)	Code	OD (inch)	BC (inch)	ID (inch)	H (inch)	T (inch)	Bolt Holes	Weight (lb)	FM	CL335
4	360 014 779	9.00	7.50	4.90	0.75	0.94	8	5.40	*	**
6	360 014 783	11.00	9.50	7.00	0.88	1.00	8	7.50	*	**
8	360 014 787	13.50	11.75	9.19	0.88	1.13	8	12.00	*	**
10	360 014 791	16.00	14.25	11.25	1.00	1.19	12	15.00	*	**
12	360 014 795	19.00	17.00	13.38	1.00	1.50	12	27.00	*	**
14		21.00	18.75	15.49	1.13	1.38	12	30.81		
16	360 014 803	23.50	21.25	17.59	1.13	1.63	16	41.00		
18	360 014 807	25.00	22.75	19.70	1.25	1.70	16	45.00		
20	360 014 811	27.50	25.00	21.85	1.25	1.84	20	57.00		
24	360 014 815	32.00	29.50	26.05	1.38	2.16	20	86.00		

MJ Adapters



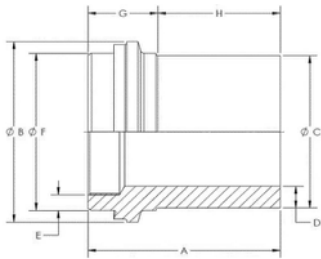
MJ Adapter – with Stiffener Fabricated DIPS, DR7

- Approval: NSF-61
- Approval: AWWA C906
- Approval: ASTM D3261 (indicated with *)

Please call for more information on pricing, availability, other sizes and dimensions.

Size (inch)	SDR	Code	A (inch)	B (inch)	C (inch)	D (inch)	F (inch)	G (inch)	H (inch)	ASTM D3261
6	7	360 031 908	11.31	6.90	6.90	0.99	6.90	8.97	2.34	
8	7	360 017 614	14.00	9.05	9.05	1.29	9.05	11.66	2.34	
10	7	360 017 626	13.56	11.10	11.10	1.59	11.10	11.22	2.34	
12	7	360 017 636	13.00	13.20	13.20	1.89	13.20	11.00	2.00	
14	7	360 017 650	13.00	15.30	15.30	2.19	15.30	11.66	1.34	
16	7	360 017 660	13.00	17.40	17.34	2.49	17.40	11.66	1.34	
18	7	360 017 670	13.00	19.50	19.50	2.79	19.50	11.66	1.34	
20	7	360 028 679	16.00	21.60	21.60	3.09	21.60	12.66	3.34	*

MJ Adapter – without Stiffener Fabricated DIPS, DR9



- Approval: NSF-61
- Approval: AWWA C906
- Approval: ASTM D3261

Please call for more information on pricing, availability, other sizes and dimensions.

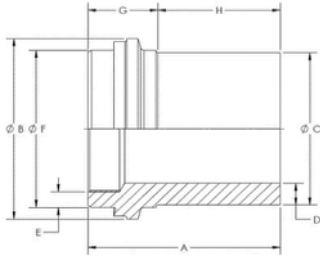
Size (inch)	SDR	Code	A (inch)	B (inch)	C (inch)	D (inch)	F (inch)	G (inch)	H (inch)	Weight (lb)
16	9	360 017 662	13.00	17.40	17.40	1.93	17.40	11.66	1.34	50.07

MJ Adapter – with Stiffener Fabricated DIPS, DR9



- Approval: NSF-61
- Approval: AWWA C906
- Approval: ASTM D3261

Please call for more information on pricing, availability, other sizes and dimensions.

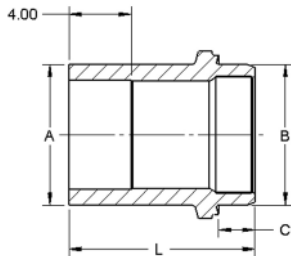


Size (inch)	SDR	Code	A (inch)	B (inch)	C (inch)	D (inch)	F (inch)	G (inch)	H (inch)	Weight (lb)
3	9	360 017 591	9.00	5.38	3.96	0.44	3.96	2.75	2.00	3.12
4	9	360 029 092	10.25	4.80	4.80	0.53	4.80	7.91	2.34	4.04
6	9	360 001 952	11.31	6.90	6.90	0.77	6.90	8.97	2.34	7.55
8	9	360 017 615	14.00	9.05	9.05	1.01	9.05	11.66	2.34	12.90
10	9	360 017 627	13.56	11.10	11.10	1.23	11.10	11.22	2.34	20.70
12	9	360 017 637	13.00	13.20	13.20	1.47	13.20	11.00	2.00	29.70
14	9	360 017 651	13.00	15.30	15.30	1.70	15.30	11.66	1.34	43.50
16	9	360 017 661	13.00	17.40	17.40	1.93	17.40	11.66	1.34	56.70
18	9	360 017 671	13.00	19.50	19.50	2.17	19.50	11.66	1.34	74.30
20	9	360 017 679	16.00	21.60	21.60	2.40	21.60	12.66	3.34	100.01
24	9	360 017 688	18.00	25.80	25.80	2.87	25.80	14.66	3.34	161.50

**MJ ADAPTER - WITHOUT STIFFENER
PE4710
DIPS, DR11**



- Approval: ASTM D3261
- Approval: AWWA C906
- Approval: NSF-61



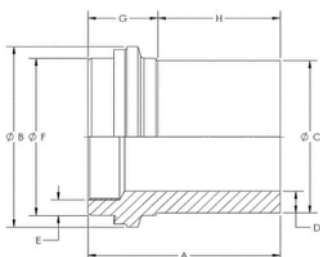
Size (inch)	GF Code	weight (lb)	A (inch)	B (inch)	C (inch)	L (inch)	Box Qty
3	360 003 461	1.7	3.96	3.96	2.25	9.00	2
4	360 003 463	3.0	4.80	4.80	2.25	10.25	4
6	360 003 465	6.0	6.90	6.90	2.25	1.31	4
8	360 003 466	10.8	9.05	9.05	2.25	14.00	1
10	360 022 230	17.6	11.10	11.10	2.25	13.56	1
12	360 003 482	22.8	13.20	13.20	2.25	13.00	1

MJ Adapter – without Stiffener Fabricated DIPS, DR11



- Approval: NSF-61
- Approval: AWWA C906
- Approval: ASTM D3261

Please call for more information on pricing, availability, other sizes and dimensions.

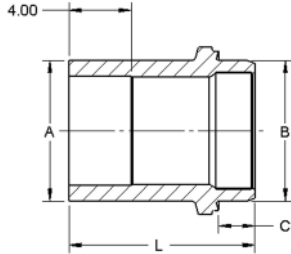


Size (inch)	SDR	Code	A (inch)	B (inch)	C (inch)	D (inch)	F (inch)	G (inch)	H (inch)	Weight (lb)
14	11	360 017 654	13.00	15.30	15.30	1.39	15.30	11.66	1.34	32.30
16	11	360 017 664	13.00	17.40	17.40	1.58	17.40	11.66	1.34	45.30
18	11	360 017 673	13.00	19.50	19.50	1.77	19.50	11.66	1.34	57.00
20	11	360 017 682	16.00	21.60	21.60	1.96	21.60	12.66	3.34	91.00
24	11	360 017 690	18.00	25.80	25.80	2.35	25.80	14.66	3.34	127.00



MJ ADAPTER - WITH STIFFENER
PE4710
DIPS, DR11

- Approval: ASTM D3261
- Approval: AWWA C906
- Approval: NSF-61

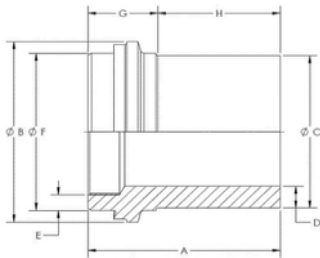


Size (inch)	GF Code	weight (lb)	A (inch)	B (inch)	C (inch)	L (inch)	Box Qty
3	360 029 090	2.8	3.96	3.96	1.75	9.00	2
4	360 022 237	3.4	4.80	4.80	1.75	10.25	4
6	360 022 240	6.8	6.90	6.90	1.75	11.31	4
8	360 003 504	11.8	9.05	9.05	1.75	11.94	1
10	360 029 081	19.7	11.10	11.10	1.75	13.56	1
12	360 022 233	24.6	13.20	13.20	1.75	13.00	1



MJ with stiffener Fabricated DIPS, DR11

- Approval: NSF-61
 - Approval: AWWA C906
 - Approval: ASTM D3261
- Please call for more information on pricing, availability, other sizes and dimensions.

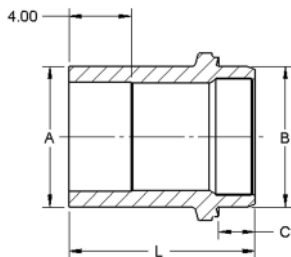


Size (inch)	SDR	Code	A (inch)	B (inch)	C (inch)	D (inch)	F (inch)	G (inch)	H (inch)	Weight (lb)
14	11	360 017 653	13.00	15.30	15.30	1.39	15.30	11.66	1.34	35.50
16	11	360 017 663	13.00	17.40	17.40	1.58	17.40	11.66	1.34	52.00
18	11	360 017 672	13.00	19.50	19.50	1.77	19.50	11.66	1.34	60.40
20	11	360 017 681	16.00	21.60	21.60	1.96	21.60	12.66	3.34	95.60
24	11	360 017 689	18.00	25.80	25.80	2.35	25.80	14.66	3.34	133.40



MJ ADAPTER - WITHOUT STIFFENER
PE4710
DIPS, DR17

- Approval: ASTM D3261
- Approval: AWWA C906
- Approval: NSF-61



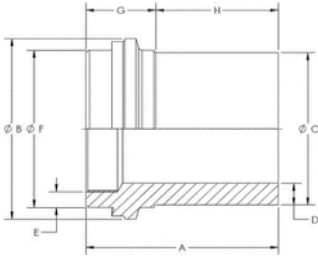
Size (inch)	GF Code	weight (lb)	A (inch)	B (inch)	C (inch)	L (inch)	Box Qty
4	360 001 930	2.8	4.80	4.80	2.25	10.25	4
6	360 022 241	5.8	6.90	6.90	2.25	11.31	4
8	360 003 503	9.8	9.05	9.05	2.25	12.00	1

MJ Adapter – without Stiffener Fabricated DIPS, DR17



- Approval: NSF-61
 - Approval: AWWA C906
- Please call for more information on pricing, availability, other sizes and dimensions.

Size (inch)	SDR	Code	A (inch)	B (inch)	C (inch)	D (inch)	F (inch)	G (inch)	H (inch)	Weight (lb)
16	17	360 031 927	13.00	17.40	17.40	1.02	17.40	11.66	1.34	38.00
18	17		13.00	19.50	19.50	1.15	19.50	11.66	1.34	49.50
20	17	360 017 684	16.00	21.60	25.80	1.27	21.60	12.66	3.34	72.50
24	17	360 031 928	18.00	25.80	25.80	1.52	25.80	14.66	3.34	109.00

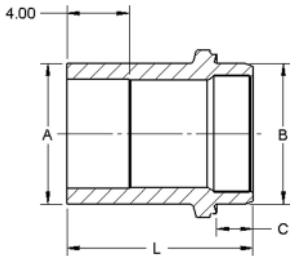


**MJ ADAPTER - WITH STIFFENER
PE4710
DIPS, DR17**



- Approval: ASTM D3261
- Approval: AWWA C906
- Approval: NSF-61

Size (inch)	GF Code	GF weight (lb)	A (inch)	B (inch)	C (inch)	L (inch)	Box Qty
4	360 001 931	3.3	4.80	4.80	2.34	10.25	4
6	360 029 096	5.2	6.90	6.90	1.75	11.31	4
8	360 029 101	10.0	9.05	9.05	2.25	12.00	1
10	360 001 783	13.5	11.10	11.10	2.34	13.56	1
12	360 029 088	23.0	13.20	13.20	2.25	13.00	1

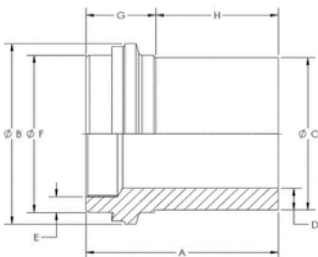


MJ Adapter – with Stiffener Fabricated DIPS, DR17





- Approval: NSF-61
 - Approval: AWWA C906
 - Approval: ASTM D3261
- Please call for more information on pricing, availability, other sizes and dimensions.

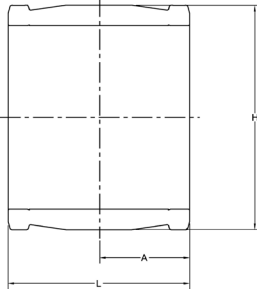
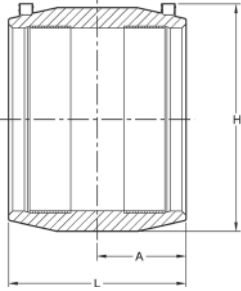
Size (inch)	SDR	Code	A (inch)	B (inch)	C (inch)	D (inch)	F (inch)	G (inch)	H (inch)	Weight (lb)
16	17	360 017 665	13.00	17.40	17.40	1.02	17.40	11.66	1.34	41.10



DIPS HDPE Electrofusion Fittings

DIPS HDPE Electrofusion Fittings		Page
	EF Couplings	142
	EF Large Diameter Couplings	143

EF Couplings



ELECTROFUSION COUPLING PE4710 DIPS

- Pin Type: 4.7S (4.7 Solid Pin)
- Approval: ASTM F1055
- Approval: NSF-61
- *Approval: ASTM D2513; AWWA C906
- **Approval: ASTM D2513; AWWA C906; FM1613; CL200
- ***Approval: AWWA C906

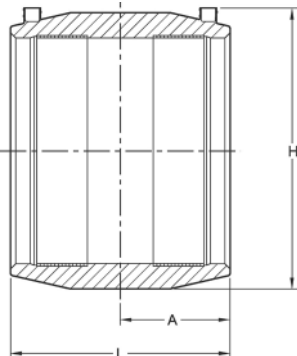
Note: Operating pressure is 200 psi for PE4710 couplings in allowable applications.

* Industrial Non-Compliant ASTM Fittings

** For use with Bar-Code Processor Only

<...>	Main Size (inch)	GF weight Code	(lb)	H (inch)	L (inch)	A (inch)	Box Qty
***	4 DIPS	360 000 935	1.6	6.06	6.93	3.46	10
***	6 DIPS	360 000 938	6.0	8.74	8.19	4.09	8
	8 DIPS	360 000 943	8.4	11.14	10.16	5.08	4
*	10 DIPS	360 000 901	15.4	13.70	10.90	5.50	1
***	12 DIPS	360 000 904	28.7	16.20	12.80	6.40	1

ELECTROFUSION LARGE DIAMETER COUPLING PE4710 IPS/DIPS




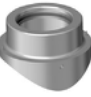


- Pin Type: 4.7S (4.7 Solid Pin)
- Approval: ASTM F1055
- Approval: NSF-61
- *Approval: ASTM D2513; AWWA C906
- **Approval: ASTM D2513; AWWA C906; FM1613; CL200
- ***Approval: AWWA C906

Note: Operating pressure is 200 psi for PE4710 couplings in allowable applications.

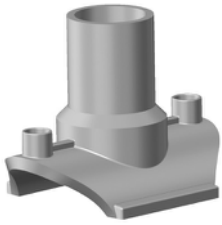
Note: Large diameter couplings are available only to approved distributors.

<...>	Size (inch)	GF weight Code	(lb)	H (inch)	L (inch)	A (inch)	Box Qty
*	14 DIPS	360 000 907	53.0	19.65	13.54	6.77	1
*	16 DIPS	360 000 911	72.0	22.13	14.96	7.48	1
*	18 DIPS	360 000 915	98.0	24.57	16.46	8.23	1
*	20 DIPS	360 000 922	125.0	27.21	17.95	8.98	1
*	24 DIPS	360 000 928	184.0	31.69	19.50	9.75	1

DIPS HDPE Electrofusion Saddle Fittings

DIPS HDPE Electrofusion Saddle Fittings		Page
	EF Branch Saddles	144
	EF Gasketed Sewer Saddles	147
	EF Transition Saddles	148
	EF Corp Saddles	150

EF Branch Saddles



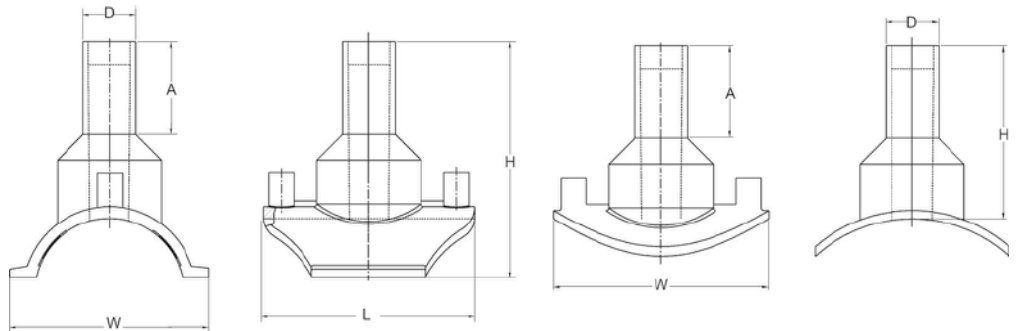
ELECTROFUSION BRANCH SADDLE PE4710 DIPS, DR11

Please call for more information on pricing, availability, other sizes and dimensions.

- Approval: AWWA C906
- Approval: ASTM D2513/F1055-GAS/D3261 NSF-61 (indicated with *)
- Pin Type: 4.7R (4.7 with Resistor) - Denoted by *
- Pin Type: 4.7S (4.7 Solid Pin) - Denoted by **

Main Size (inch)	Outlet (inch)	Code	weight (lb)
4 IPS/DIPS	2	360 000 772	1.1
6 IPS/DIPS	2	360 000 780	1.3
8 DIPS	2	360 000 781	1.2
12 DIPS	2	360 000 747	1.3
14 DIPS	2	360 061 609	1.0
8 DIPS	4	360 000 782	17.2
12 DIPS	4	360 000 748	25.9
8 DIPS	6	360 000 783	19.0
10 DIPS	6	360 000 740	22.4
12 DIPS	6	360 000 749	27.5

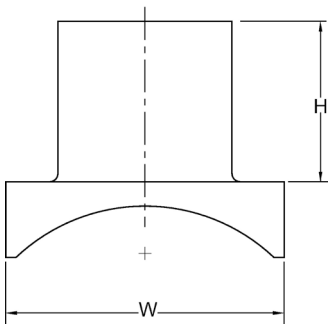
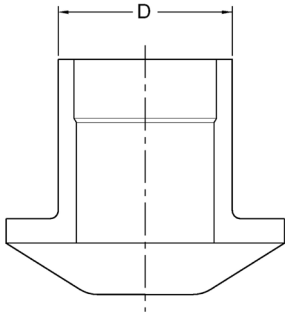
A (inch)	D (inch)	H (inch)	W (inch)	L (inch)	Pin	ASTM	Style	qty
3.28	2.37	7.27	6.26	6.63	*	*	3	30
3.28	2.37	8.43	8.68	6.63	*	*	3	25
3.28	3.27	5.29	6.75		**		2	30
3.28	3.27	6.48	6.75		**		2	30
3.28	3.27	7.65	6.75		**	*	2	30
3.86	4.80	9.27	10.78	13.87	**	*	3	1
3.86	4.80	11.34	15.15	18.20	**	*	3	1
4.49	6.90	9.27	10.78	13.87	**	*	3	1
4.49	6.90	10.29	12.96	16.11	**	*	3	1
4.49	6.90	11.34	15.15	18.20	**	*	3	1



ELECTROFUSION BRANCH SADDLE PE4710, P-Clamp DIPS, DR11

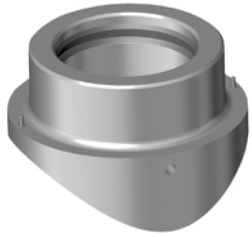
Please call for more information on pricing, availability, other sizes and dimensions.

- Approval: NSF-61
- Approval: AWWA C906
- Approval: ASTM D2513
- Approval: ASTM D3261
- Pin Type: 4.7S (4.7 Solid Pin)



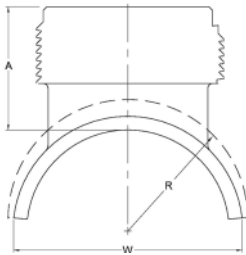
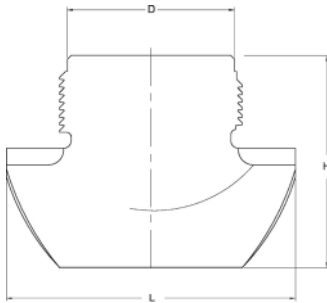
Main Size (inch)	Outlet Size (inch)	Code	weight (lb)	D (inch)	H (inch)	W (inch)	Box Qty
16 DIPS	8	360 000 793	7.7	6.63	8.00	10.60	1
18 DIPS	8	360 000 796	1.0	6.63	8.00	10.60	1
20 DIPS	8	360 063 111	7.6				1
12 DIPS	8	360 021 175	12.3	9.05	8.00	10.60	1
18 DIPS	8	360 000 797	8.0	9.05	8.00	10.60	1
12 DIPS	8	360 036 112	8.0	9.05	8.00	10.60	1
25 DIPS	8	360 021 177	8.0	9.05	8.00	10.60	1

EF Gasket Saddles



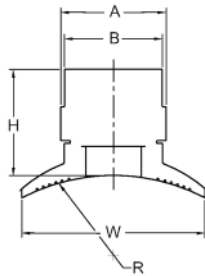
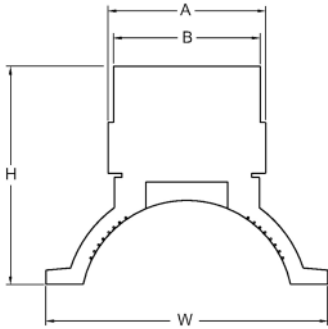
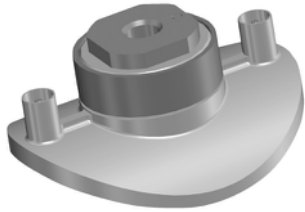
ELECTROFUSION FITTINGS: GASKETED SEWER SADDLE PE4710, T-Clamp (K) DIPS, DR35

- Pin Type: 4.7S (4.7 Solid Pin)
6" and Multi-Base with IPS/Schedule 40 and PSM/DR35 Gaskets



Size	GF Code	weight (lb)	A (inch)	D (inch)	W (inch)	Box Qty
8 DIPS, 6 PSM	360 000 979	7.6	3.00	8.63	10.60	1
10 DIPS, 6 PSM	360 000 946	7.6	3.00	8.63	10.60	1
12 DIPS, 6 PSM	360 000 949	6.0	3.00	8.63	10.60	1
16 DIPS, 6 PSM	360 000 955	6.0	3.00	8.63	10.60	1
18 DIPS, 6 PSM	360 000 958	6.9	3.00	8.63	10.60	1
24 DIPS, 6 PSM	360 021 253	5.8	3.00	8.63	10.60	1

EF Transition Saddles

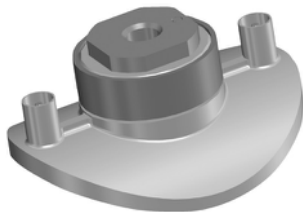


ELECTROFUSION FITTINGS: BRASS TRANSITION SADDLE PE4710 DIPS

- Approval: NSF-61
- Approval: AWWA C906
- Approval: ANSI B1.20.1
- Approval: ASTM F1055 (indicated with *)
- Approval: ASTM D2513/F1055-GAS (indicated with **)
- Pin Type: 4.7R (4.7 with Resistor) - Denoted by *
- Pin Type: 4.7S (4.7 Solid Pin) - Denoted by **

Please call for more information on pricing, availability, other sizes and dimensions.
 Outlet Material: Brass 360 Alloy Compression Ring Material: Stainless 304

Main Size	Outlet	Code	weight	R	A	H	W	B	ASTM	Pin	qty
(inch)	(inch)		(lb)	(inch)	(inch)	(inch)	(inch)	(inch)			
4	¾	360 001 167	2.3	2.35	3.25	3.80	6.26	2.50	*	*	5
6	¾	360 001 184	2.6	3.34	3.25	4.50	9.00	2.50	*	*	5
4	1	360 001 170	2.2	2.35	3.25	3.25	6.26	2.50	*	*	5
6	1	360 001 187	2.4	3.34	3.25	4.50	9.00	2.50	*	*	5
8	1	360 001 203	2.3	4.53	3.25	2.50	6.10	2.50	*	**	10
10	1	360 001 105	2.4	5.55	3.25	2.50	6.10	2.50	*	**	10
12	1	360 001 123	2.4	6.60	3.25	2.50	6.10	2.50	*	**	10
4	1 ¼	360 001 173	1.8	2.35	3.25	3.80	6.26	2.50	*	*	5
6	1 ¼	360 001 190	2.1	3.34	3.25	4.50	9.00	2.50	*	*	5
4	1 ½	360 001 176	2.1	2.35	3.25	3.80	6.26	2.87	*	*	5
6	1 ½	360 001 193	2.5	3.34	3.25	4.50	9.00	2.87	*	*	5
8	1 ½	360 001 205	2.0	4.53	3.25	2.50	6.10	2.87	*	**	10
10	1 ½	360 001 107	2.6	5.55	3.25	2.50	6.10	2.87	**	**	10
4	2	360 001 180	3.7	2.35	3.50	3.80	6.26	3.25	**	*	5
6	2	360 001 198	4.5	3.34	3.50	4.50	9.00	3.25	**	*	5
8	2	360 001 207	4.3	4.53	3.50	2.50	6.10	3.25	**	**	5
12	2	360 001 127	2.3	6.60	3.50	2.50	6.10	3.25	**	**	5

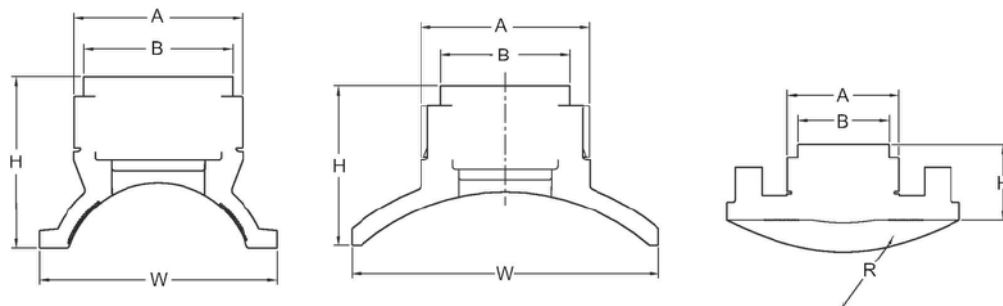


ELECTROFUSION FITTINGS: STAINLESS STEEL TRANSITION SADDLE PE4710 DIPS

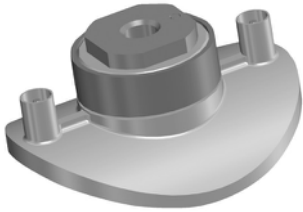
Outlet Material: Stainless 316
 Compression Ring Material: Stainless 304
 Please call for more information on pricing, availability, other sizes and dimensions.

- Approval: NSF-61
- Approval: AWWA C906
- Standard: ANSI B1.20.1
- Approval: ASTM F1055 (indicated with *)
- Approval: ASTM D2513/F1055-GAS (indicated with **)
- Pin Type: 4.7S (4.7 Solid Pin) - Denoted by **
- Pin Type: 4.7R (4.7 with Resistor) - Denoted by *

Main Size (inch)	Outlet (inch)	Code	weight (lb)	A (inch)	H (inch)	W (inch)	B (inch)	ASTM	Pin	qty
4	¾	360 001 168	2.4	3.25	3.80	6.26	2.50	*	*	5
6	¾	360 001 185	2.5	3.25	4.96	8.68	2.50	*	*	5
8	¾	360 001 201	2.4	3.25	1.94	6.10	2.50	*	**	15
10	¾	360 001 103	2.6	3.25	2.21	6.10	2.50	*	**	15
4	1	360 001 171	2.0	3.25	3.80	6.26	2.88	*	*	5
6	1	360 001 188	1.8	3.25	4.50	9.00	2.88	*	*	5
12	1	360 001 124	2.3	3.25	2.50	6.10	2.50	*	**	10
4	1 ¼	360 001 174	2.0	3.25	3.80	6.26	2.50	*	*	10
6	1 ¼	360 001 191	2.1	3.25	4.50	9.00	2.50	*	*	5
4	1 ½	360 001 177	2.2	3.25	3.80	6.26	2.87	*	*	5
4	2	360 001 179	3.7	3.50	3.80	6.26	3.25	**	*	5
6	2	360 001 196	4.5	3.50	4.50	9.00	3.25	**	*	5



EF Corp Saddles

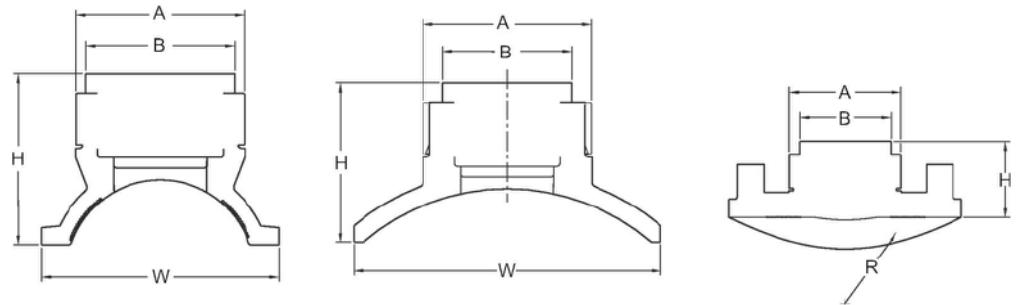


ELECTROFUSION FITTINGS: CORP TRANSITION SADDLE PE4710 DIPS

Outlet Material: Brass 360 Alloy
 Compression Ring Material: Stainless 304
 Please call for more information on pricing, availability, other sizes and dimensions.

- Approval: NSF-61
- Approval: AWWA C906
- Approval: ASTM F1055
- Pin Type: 4.7R (4.7 with Resistor) - Denoted by *
- Pin Type: 4.7S (4.7 Solid Pin) - Denoted by **

Main Size (inch)	Outlet Size (inch)	Code	weight (kg)	R (inch)	A (inch)	H (inch)	W (inch)	B (inch)	Pin	Box Qty
4	¾	360 001 166	1.052	2	3	4	6	3	*	5
6	¾	360 001 183	1.361	3	3	5	9	3	*	5
8	¾	360 001 200	0.907	5	3	3	6	3	**	10
10	¾	360 001 102	1.247	6	3	3	6	3	**	10
12	¾	360 001 121	1.084	7	3	3	6	3	**	10
4	1	360 001 169	1.012	2	3	4	6	3	*	5
6	1	360 001 186	1.084	3	3	5	9	3	*	5
8	1	360 001 202	0.907	5	3	3	6	3	**	10
10	1	360 001 104	1.080	6	3	3	6	3	**	10
12	1	360 001 122	1.007	7	3	3	6	3	**	10
4	1 ¼	360 001 172	0.853	2	3	4	6	3	*	5
6	1 ¼	360 001 189	0.934	3	3	5	9	3	*	5
4	1 ½	360 001 175	0.839	2	3	4	6	3	*	5
6	1 ½	360 001 192	0.980	3	3	5	9	3	*	5
8	1 ½	360 001 204	0.916	5	3	3	6	3	**	10
10	1 ½	360 001 106	0.971	6	3	3	6	3	**	10
12	1 ½	360 001 125	0.984	7	3	3	6	3	**	10
4	2	360 001 178	1.238	2	4	4	6	3	*	5
6	2	360 001 195	1.724	3	4	5	9	3	*	5
8	2	360 001 206	1.746	5	4	3	6	3	**	5
10	2	360 001 108	1.882	6	4	3	6	3	**	5
12	2	360 001 126	1.764	7	4	3	6	3	**	5



Ready to install?



Connectra 28 Electric-Powered (EP) Butt Fusion Machine



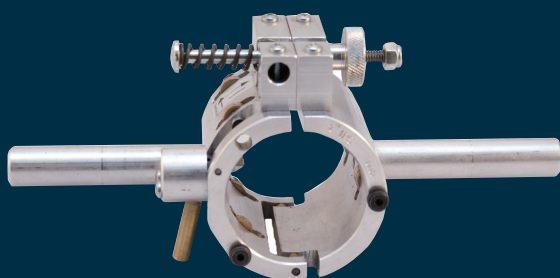
MSA 340 Electrofusion Machine



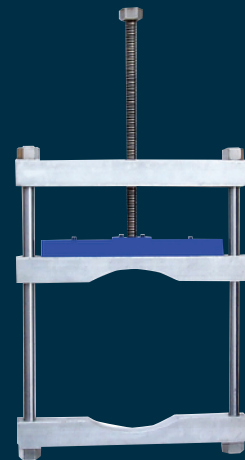
EF Multi-Clamp Kits and Liners



EF Under Clamps



EF Machined Rotary Scrapers



Pipe Re-Rounding Tools

Contact us about our welding equipment!