

Product Range

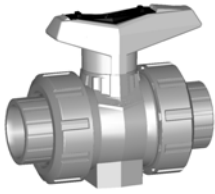
**Type 546
Manual and Actuated
Ball Valves
DN10 to DN100**



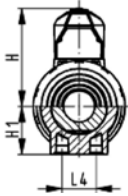
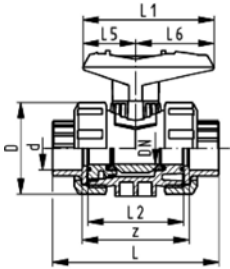
GEORG FISCHER
PIPING SYSTEMS

Ball valves

Ball valve type 546 ABS With solvent cement sockets metric



DN10/15 - 50









Model:

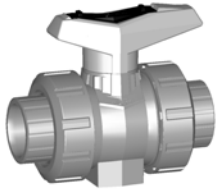
- Image and drawing DN65-100 please see **New product ball valve DN65-100**
- For easy installation and removal
- z-dimension, valve end and valve nut are **not compatible** with type 346 (DN10/15-50) resp. type 370 (DN65-100)
- Ball seals PTFE
- Without mounting inserts

Option:

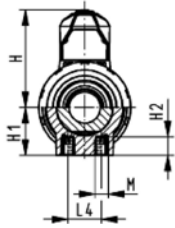
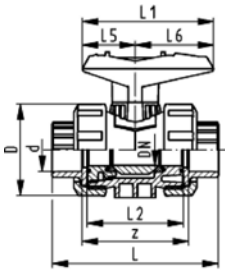
- Individual configuration of the valve (see form)
- Multifunctional module with integrated limit switches
- Pneumatic or electric actuators from +GF+

d [mm]	DN [mm]	PN	kv-value ($\Delta p=1$ bar) [l/min]	EPDM Code	kg
16	10	10	71	169 546 001	0.112
20	15	10	185	169 546 002	0.114
25	20	10	350	169 546 003	0.178
32	25	10	700	169 546 004	0.258
40	32	10	1000	169 546 005	0.457
50	40	10	1600	169 546 006	0.642
63	50	10	3100	169 546 007	1.175
 75	65	10	5000	169 546 008	3.900
 90	80	10	7000	169 546 009	5.700
 110	100	10	11000	169 546 010	9.100

d [mm]	D [mm]	H [mm]	H1 [mm]	L [mm]	L1 [mm]	L2 [mm]	L4 [mm]	L5 [mm]	L6 [mm]	z [mm]
16	50	57	27	92	77	56	25	32	45	64
20	50	57	27	95	77	56	25	32	45	64
25	58	67	30	110	97	65	25	39	58	72
32	68	73	36	123	97	71	25	39	58	79
40	84	90	44	146	128	85	45	54	74	94
50	97	97	51	157	128	89	45	54	74	95
63	124	116	64	183	152	101	45	66	87	107
 75	166	149	85	233	270	136	70	64	206	144
 90	200	161	105	254	270	141	70	64	206	151
 110	238	178	123	301	320	164	120	64	256	174



DN10/15 - 50



Ball valve type 546 ABS With mounting inserts With solvent cement sockets metric

Model:

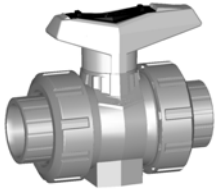
- Image and drawing DN65-100 please see **New product ball valve DN65-100**
- For easy installation and removal
- z-dimension, valve end and valve nut are **not compatible** with type 346 (DN10/15-50) resp. type 370 (DN65-100)
- Ball seals PTFE
- Integrated stainless steel mounting inserts

Option:

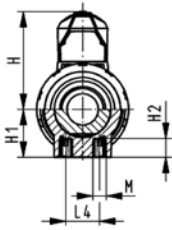
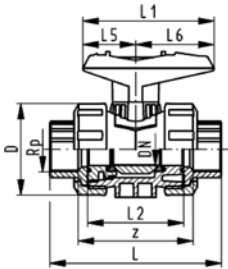
- Individual configuration of the valve (see form)
- Multifunctional module with integrated limit switches
- Pneumatic or electric actuators from +GF+

d [mm]	DN [mm]	PN	kv-value ($\Delta p=1$ bar) [l/min]	EPDM Code	kg
16	10	10	71	169 546 061	0.112
20	15	10	185	169 546 062	0.114
25	20	10	350	169 546 063	0.178
32	25	10	700	169 546 064	0.258
40	32	10	1000	169 546 065	0.457
50	40	10	1600	169 546 066	0.642
63	50	10	3100	169 546 067	1.175
75	65	10	5000	169 546 068	3.900
90	80	10	7000	169 546 069	5.700
110	100	10	11000	169 546 070	9.100

d [mm]	D [mm]	H [mm]	H1 [mm]	H2 [mm]	L [mm]	L1 [mm]	L2 [mm]	L4 [mm]	L5 [mm]	L6 [mm]	M	z [mm]
16	50	57	27	12	92	77	56	25	32	45	M6	64
20	50	57	27	12	95	77	56	25	32	45	M6	64
25	58	67	30	12	110	97	65	25	39	58	M6	72
32	68	73	36	12	123	97	71	25	39	58	M6	79
40	84	90	44	15	146	128	85	45	54	74	M8	94
50	97	97	51	15	157	128	89	45	54	74	M8	95
63	124	116	64	15	183	152	101	45	66	87	M8	107
75	166	149	85	15	233	270	136	70	64	206	M8	144
90	200	161	105	15	254	270	141	70	64	206	M8	151
110	238	178	123	22	301	320	164	120	64	256	M12	174



DN10/15 - 50



Ball valve type 546 ABS With mounting inserts With threaded sockets Rp

Model:

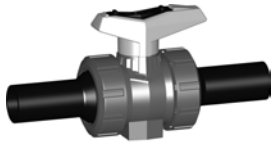
- Image and drawing DN65-100 please see **New product ball valve DN65-100**
- For easy installation and removal
- z-dimension, valve end and valve nut are **not compatible** with type 346 (DN10/15-50) resp. type 370 (DN65-100)
- Ball seals PTFE
- Integrated stainless steel mounting inserts

Option:

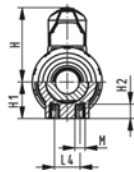
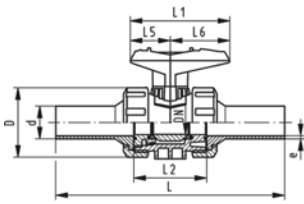
- Individual configuration of the valve (see form)
- Multifunctional module with integrated limit switches
- Pneumatic or electric actuators from +GF+

Rp [inch]	DN [mm]	PN	kv-value ($\Delta p=1$ bar) [l/min]	EPDM Code	kg
3/8	10	10	71	169 546 021	0.112
1/2	15	10	185	169 546 022	0.114
3/4	20	10	350	169 546 023	0.178
1	25	10	700	169 546 024	0.258
1 1/4	32	10	1000	169 546 025	0.457
1 1/2	40	10	1600	169 546 026	0.642
2	50	10	3100	169 546 027	1.175

Rp [inch]	D [mm]	H [mm]	H1 [mm]	H2 [mm]	L [mm]	L1 [mm]	L2 [mm]	L4 [mm]	L5 [mm]	L6 [mm]	M	z [mm]
3/8	50	57	27	12	95	77	56	25	32	45	M6	69
1/2	50	57	27	12	100	77	56	25	32	45	M6	67
3/4	58	67	30	12	114	97	65	25	39	58	M6	78
1	68	73	36	12	127	97	71	25	39	58	M6	85
1 1/4	84	90	44	15	146	128	85	45	54	74	M8	100
1 1/2	97	97	51	15	152	128	89	45	54	74	M8	106
2	124	116	64	15	177	152	101	45	66	87	M8	121



DN10/15 - 50



Ball valve type 546 ABS With mounting inserts With butt fusion spigots long PE 100 SDR11 metric

Model:

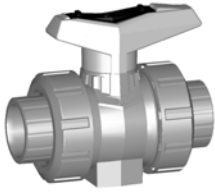
- Image and drawing DN65-100 please see **New product ball valve DN65-100**
- For easy installation and removal
- z-dimension, valve end and valve nut are **not compatible** with type 346 (DN10/15-50) resp. type 370 (DN65-100)
- Ball seals PTFE
- Integrated stainless steel mounting inserts

Option:

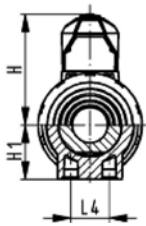
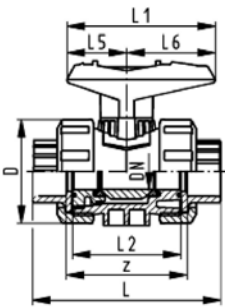
- Individual configuration of the valve (see form)
- Multifunctional module with integrated limit switches
- Pneumatic or electric actuators from +GF+

d [mm]	DN [mm]	PN	kv-value ($\Delta p=1$ bar) [l/min]	EPDM Code	kg
20	15	16	185	800 024 832	0.150
25	20	16	350	800 024 834	0.220
32	25	16	700	800 015 141	0.310
40	32	16	1000	800 015 142	0.530
50	40	16	1600	800 015 179	0.740
63	50	16	3100	800 015 143	1.370

d [mm]	D [mm]	H [mm]	H1 [mm]	H2 [mm]	L [mm]	L1 [mm]	L2 [mm]	L4 [mm]	L5 [mm]	L6 [mm]	M	e [mm]
20	50	57	27	12	193	77	56	25	32	45	M6	2,3
25	58	67	30	12	216	97	65	25	39	58	M6	2,3
32	68	73	36	12	223	97	71	25	39	58	M6	3
40	84	90	44	15	249	128	85	45	54	74	M8	3,7
50	97	97	51	15	271	128	89	45	54	74	M8	4,6
63	124	116	64	15	321	152	101	45	66	87	M8	5,8



DN10/15 - 50






Ball valve type 546 ABS With solvent cement sockets Inch BS




Model:

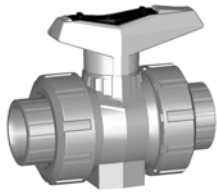
- Image and drawing DN65-100 please see **New product ball valve DN65-100**
- For easy installation and removal
- z-dimension, valve end and valve nut are **not compatible** with type 346 (DN10/15-50) resp. type 370 (DN65-100)
- Ball seals PTFE
- Without mounting inserts

Option:

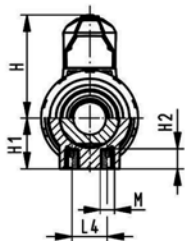
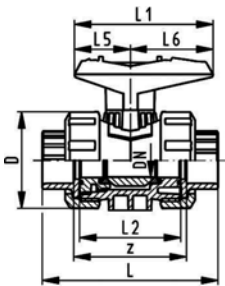
- Individual configuration of the valve (see form)
- Multifunctional module with integrated limit switches
- Pneumatic or electric actuators from +GF+

Inch	DN [mm]	PN	kv-value ($\Delta p=1$ bar) [l/min]	EPDM Code	kg
3/8	10	10	71	169 546 201	0.112
1/2	15	10	185	169 546 202	0.114
3/4	20	10	350	169 546 203	0.178
1	25	10	700	169 546 204	0.258
1 1/4	32	10	1000	169 546 205	0.457
1 1/2	40	10	1600	169 546 206	0.642
2	50	10	3100	169 546 207	1.175
 65	65	10	5000	169 546 008	3.900
 80	80	10	7000	169 546 209	5.700
 100	100	10	11000	169 546 210	9.100

Inch	D [mm]	H [mm]	H1 [mm]	L [mm]	L1 [mm]	L2 [mm]	L4 [mm]	L5 [mm]	L6 [mm]	z [mm]
3/8	50	57	27	92	77	56	25	32	45	60
1/2	50	57	27	95	77	56	25	32	45	60
3/4	58	67	30	110	97	65	25	39	58	69
1	68	73	36	123	97	71	25	39	58	75
1 1/4	84	90	44	146	128	85	45	54	74	89
1 1/2	97	97	51	157	128	89	45	54	74	97
2	124	116	64	183	152	101	45	66	87	110
 166	166	149	85	233	270	136	70	64	206	144
 200	200	161	105	254	270	141	70	64	206	151
 238	238	178	123	301	320	164	120	64	256	174



DN10/15 - 50



Ball valve type 546 ABS With mounting inserts With solvent cement sockets Inch BS

Model:

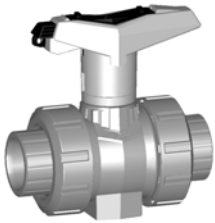
- Image and drawing DN65-100 please see **New product ball valve DN65-100**
- For easy installation and removal
- z-dimension, valve end and valve nut are **not compatible** with type 346 (DN10/15-50) resp. type 370 (DN65-100)
- Ball seals PTFE
- Integrated stainless steel mounting inserts

Option:

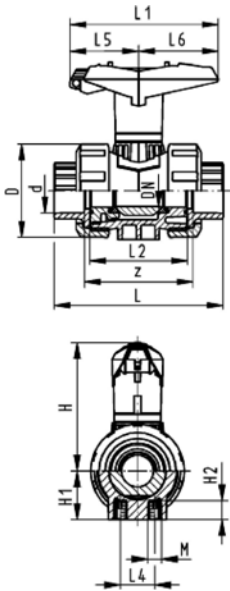
- Individual configuration of the valve (see form)
- Multifunctional module with integrated limit switches
- Pneumatic or electric actuators from +GF+

Inch	DN [mm]	PN	kv-value ($\Delta p=1$ bar) [l/min]	EPDM Code	kg
3/8	10	10	71	169 546 241	0.112
1/2	15	10	185	169 546 242	0.114
3/4	20	10	350	169 546 243	0.178
1	25	10	700	169 546 244	0.258
1 1/4	32	10	1000	169 546 245	0.457
1 1/2	40	10	1600	169 546 246	0.642
2	50	10	3100	169 546 247	1.175
2 1/2	65	10	5000	169 546 068	3.900
3	80	10	7000	169 546 249	5.700
4	100	10	11000	169 546 250	9.100

Inch	D [mm]	H [mm]	H1 [mm]	H2 [mm]	L [mm]	L1 [mm]	L2 [mm]	L4 [mm]	L5 [mm]	L6 [mm]	M	z [mm]
3/8	50	57	27	12	92	77	56	25	32	45	M6	60
1/2	50	57	27	12	95	77	56	25	32	45	M6	60
3/4	58	67	30	12	110	97	65	25	39	58	M6	69
1	68	73	36	12	123	97	71	25	39	58	M6	75
1 1/4	84	90	44	15	146	128	85	45	54	74	M8	89
1 1/2	97	97	51	15	157	128	89	45	54	74	M8	97
2	124	116	64	15	183	152	101	45	66	87	M8	110
2 1/2	166	149	85	15	233	270	136	70	64	206	M8	144
3	200	161	105	15	254	270	141	70	64	206	M8	151
4	238	178	123	22	301	320	164	120	64	256	M12	174



DN10/15 - 50



Ball valve type 546 ABS With lockable handle With solvent cement sockets metric

Model:

- Image and drawing DN65-100 please see **New product ball valve DN65-100**
- For easy installation and removal
- z-dimension, valve end and valve nut are **not compatible** with type 346 (DN10/15-50) resp. type 370 (DN65-100)
- Ball seals PTFE
- Integrated stainless steel mounting inserts
- Lockable hand lever with ratchet settings

Option:

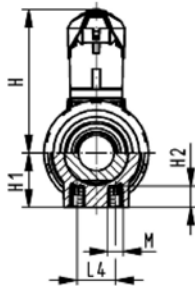
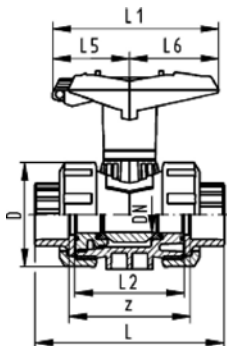
- Individual configuration of the valve (see form)
- Multifunctional module with integrated limit switches
- Pneumatic or electric actuators from +GF+

d [mm]	DN [mm]	PN	kv-value ($\Delta p=1$ bar) [l/min]	EPDM Code	kg
16	10	10	71	169 546 081	0.121
20	15	10	185	169 546 082	0.123
25	20	10	350	169 546 083	0.193
32	25	10	700	169 546 084	0.273
40	32	10	1000	169 546 085	0.480
50	40	10	1600	169 546 086	0.665
63	50	10	3100	169 546 087	1.205
75	65	10	5000	169 546 088	4.200
90	80	10	7000	169 546 089	6.100
110	100	10	11000	169 546 090	9.400

d [mm]	D [mm]	H [mm]	H1 [mm]	H2 [mm]	L [mm]	L1 [mm]	L2 [mm]	L4 [mm]	L5 [mm]	L6 [mm]	M	z [mm]
16	50	79	27	12	92	87	56	25	42	45	M6	64
20	50	79	27	12	95	87	56	25	42	45	M6	64
25	58	88	30	12	110	108	65	25	50	58	M6	72
32	68	94	36	12	123	108	71	25	50	58	M6	79
40	84	113	44	15	146	140	85	45	66	75	M8	94
50	97	119	51	15	157	140	89	45	66	75	M8	95
63	124	141	64	15	183	165	101	45	78	87	M8	107
75	166	224	85	15	233	270	136	70	64	206	M8	144
90	200	235	105	15	254	270	141	70	64	206	M8	151
110	238	245	123	22	301	320	164	120	64	256	M12	174



DN10/15 - 50






Ball valve type 546 ABS With lockable handle With solvent cement sockets Inch BS




Model:

- Image and drawing DN65-100 please see **New product ball valve DN65-100**
- For easy installation and removal
- z-dimension, valve end and valve nut are **not compatible** with type 346 (DN10/15-50) resp. type 370 (DN65-100)
- Ball seals PTFE
- Integrated stainless steel mounting inserts
- Lockable hand lever with ratchet settings

Option:

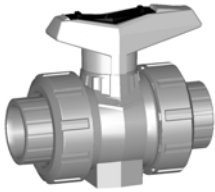
- Individual configuration of the valve (see form)
- Multifunctional module with integrated limit switches
- Pneumatic or electric actuators from +GF+

Inch	DN [mm]	PN	kv-value ($\Delta p=1$ bar) [l/min]	EPDM Code	kg
3/8	10	10	71	169 546 221	0.121
1/2	15	10	185	169 546 222	0.123
3/4	20	10	350	169 546 223	0.193
1	25	10	700	169 546 224	0.273
1 1/4	32	10	1000	169 546 225	0.480
1 1/2	40	10	1600	169 546 226	0.665
2	50	10	3100	169 546 227	1.205
 65	65	10	5000	169 546 088	4.200
 3	80	10	7000	169 546 229	6.100
 4	100		11000	169 546 230	9.400

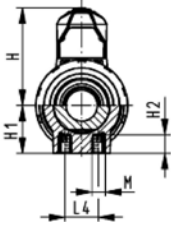
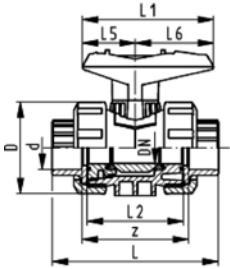
Inch	D [mm]	H [mm]	H1 [mm]	H2 [mm]	L [mm]	L1 [mm]	L2 [mm]	L4 [mm]	L5 [mm]	L6 [mm]	M	z [mm]
3/8	50	79	27	12	92	87	56	25	42	45	M6	60
1/2	50	79	27	12	95	87	56	25	42	45	M6	60
3/4	58	88	30	12	110	108	65	25	50	58	M6	69
1	68	94	36	12	123	108	71	25	50	58	M6	75
1 1/4	84	113	44	15	146	140	85	45	66	75	M8	89
1 1/2	97	119	51	15	157	140	89	45	66	75	M8	97
2	124	141	64	15	183	165	101	45	78	87	M8	110
 166	166	224	85	15	233	270	136	70	64	206	M8	144
 3	200	235	105	15	254	270	141	70	64	206	M8	151
 4	238	245	123	22	301	320	164	120	64	256	M12	174

Ball valves

Ball valve type 546 ABS SF With mounting inserts With solvent cement sockets metric



DN10/15 - 50









Model:

- Image and drawing DN65-100 please see **New product ball valve DN65-100**
- Silicon-free / paint-compatible
- For easy installation and removal
- z-dimension, valve end and valve nut are **not compatible** with type 346 (DN10/15-50) resp. type 370 (DN65-100)
- Ball seals PVDF
- Integrated stainless steel mounting inserts

Option:

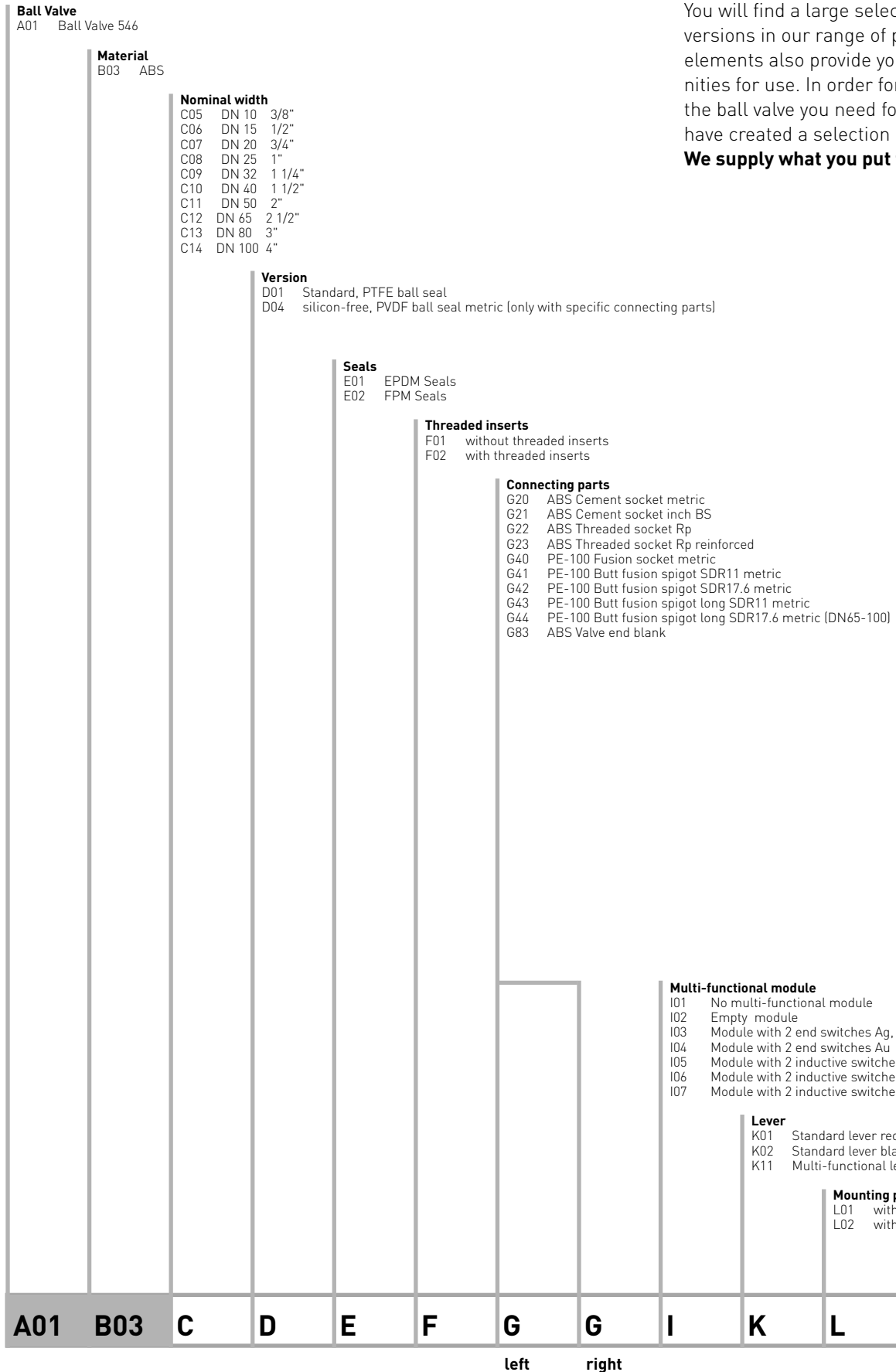
- Individual configuration of the valve (see form)
- Multifunctional module with integrated limit switches

d [mm]	DN [mm]	PN	kv-value ($\Delta p=1$ bar) [l/min]	EPDM Code	kg
16	10	10	71	169 546 601	0.112
20	15	10	185	169 546 602	0.114
25	20	10	350	169 546 603	0.178
32	25	10	700	169 546 604	0.258
40	32	10	1000	169 546 605	0.457
50	40	10	1600	169 546 606	0.642
63	50	10	3100	169 546 607	1.175
 75	65	10	5000	169 546 608	3.900
 90	80	10	7000	169 546 609	5.700
 110	100	10	11000	169 546 610	9.100

d [mm]	D [mm]	H [mm]	H1 [mm]	H2 [mm]	L [mm]	L1 [mm]	L2 [mm]	L4 [mm]	L5 [mm]	L6 [mm]	M	z [mm]
16	50	57	27	12	92	77	56	25	32	45	M6	64
20	50	57	27	12	95	77	56	25	32	45	M6	64
25	58	67	30	12	110	97	65	25	39	58	M6	72
32	68	73	36	12	123	97	71	25	39	58	M6	79
40	84	90	44	15	146	128	85	45	54	74	M8	94
50	97	97	51	15	157	128	89	45	54	74	M8	95
63	124	116	64	15	183	152	101	45	66	87	M8	107
 75	166	149	85	15	233	270	136	70	64	206	M8	144
 90	200	161	105	15	254	270	141	70	64	206	M8	151
 110	238	178	123	22	301	320	164	120	64	256	M12	174

Copiable

Configurator GF ball valve type 546 ABS



You will find a large selection of different versions in our range of products. New system elements also provide you with new opportunities for use. In order for us to supply exactly the ball valve you need for you application, we have created a selection menu for you.

We supply what you put together.

Ball valves electric

Ball valve type 107 ABS 100-230V With manual emergency override With solvent cement sockets metric



DN10/15 - 50

Model:

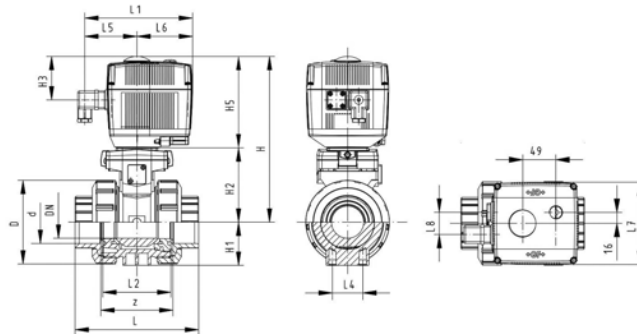
- Built on with electric actuator EA11
- Voltage 100-230 V, 50-60 Hz
- Control range 90°<
- Control time 5 s/90°<
- For easy installation and removal
- Integrated stainless steel mounting inserts

Option:

- Individual configuration of the valve (see form)

d [mm]	DN [mm]	PN	kv-value ($\Delta p=1$ bar) [l/min]	EPDM Code	kg
16	10	10	70	199 107 082	2.072
20	15	10	185	199 107 083	2.072
25	20	10	350	199 107 084	2.189
32	25	10	700	199 107 085	2.189
40	32	10	1000	199 107 086	2.592
50	40	10	1600	199 107 087	2.914
63	50	10	3100	199 107 088	3.772

d [mm]	D [mm]	H [mm]	H1 [mm]	H2 [mm]	H3 [mm]	H5 [mm]	L [mm]	L1 [mm]	L2 [mm]	L4 [mm]	L5 [mm]	L6 [mm]	L7 [mm]	L8 [mm]	z [mm]
16	50	200	27	64	64	137	92	161	56	25	77	83	122	33	64
20	50	200	27	64	64	137	95	161	56	25	77	83	122	33	64
25	58	209	30	73	64	137	110	161	65	25	77	83	122	33	72
32	68	209	36	73	64	137	123	161	71	25	77	83	122	33	79
40	84	220	44	84	64	137	146	161	85	45	77	83	122	33	94
50	97	220	51	84	64	137	157	161	89	45	77	83	122	33	95
63	124	243	64	106	64	137	183	161	101	45	77	83	122	33	107





DN10/15 - 50

Ball valve type 107 ABS 24V With manual emergency override With solvent cement sockets metric

Model:

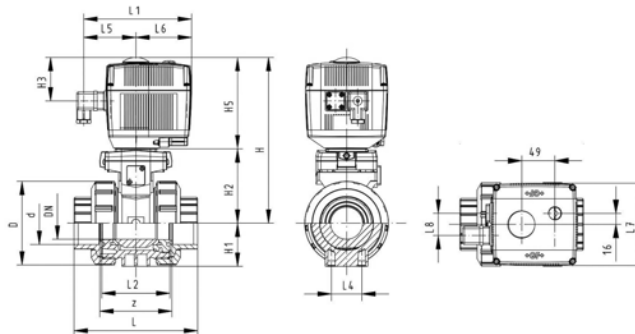
- Built on with electric actuator EA11
- For easy installation and removal
- Integrated stainless steel mounting inserts
- Voltage 24 V AC/DC
- Control range 90°<
- Control time 5 s/90°<

Option:

- Individual configuration of the valve (see form)

d [mm]	DN [mm]	PN	kv-value ($\Delta p=1$ bar) [l/min]	EPDM Code	kg
16	10	10	70	199 107 092	2.072
20	15	10	185	199 107 093	2.072
25	20	10	350	199 107 094	2.189
32	25	10	700	199 107 095	2.189
40	32	10	1000	199 107 096	2.592
50	40	10	1600	199 107 097	2.914
63	50	10	3100	199 107 098	3.772

d [mm]	D [mm]	H [mm]	H1 [mm]	H2 [mm]	H3 [mm]	H5 [mm]	L [mm]	L1 [mm]	L2 [mm]	L4 [mm]	L5 [mm]	L6 [mm]	L7 [mm]	L8 [mm]	z [mm]
16	50	200	27	64	64	137	92	161	56	25	77	83	122	33	64
20	50	200	27	64	64	137	95	161	56	25	77	83	122	33	64
25	58	209	30	73	64	137	110	161	65	25	77	83	122	33	72
32	68	209	36	73	64	137	123	161	71	25	77	83	122	33	79
40	84	220	44	84	64	137	146	161	85	45	77	83	122	33	94
50	97	220	51	84	64	137	157	161	89	45	77	83	122	33	95
63	124	243	64	106	64	137	183	161	101	45	77	83	122	33	107





DN10/15 - 50

Ball valve type 107 ABS 100-230V With manual emergency override With threaded sockets Rp

Model:

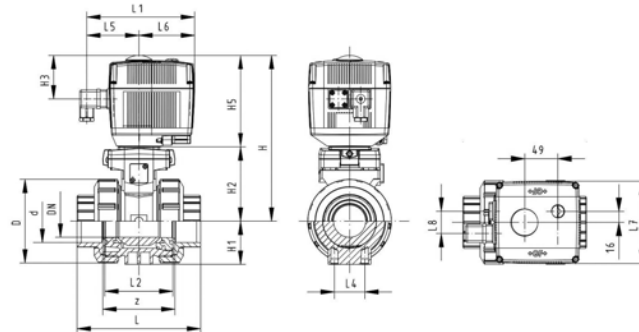
- Built on with electric actuator EA11
- Voltage 100-230 V, 50-60 Hz
- Control range 90°<
- Control time 5 s/90°<
- For easy installation and removal
- Integrated stainless steel mounting inserts

Option:

- Individual configuration of the valve (see form)

Rp [inch]	DN [mm]	PN	kv-value ($\Delta p=1$ bar) [l/min]	EPDM Code	kg
3/8	10	10	70	199 107 682	2.100
1/2	15	10	185	199 107 683	2.100
3/4	20	10	350	199 107 684	2.200
1	25	10	700	199 107 685	2.300
1 1/4	32	10	1000	199 107 686	2.600
1 1/2	40	10	1600	199 107 687	3.000
2	50	10	3100	199 107 688	3.800

Rp [inch]	D [mm]	H [mm]	H1 [mm]	H2 [mm]	H3 [mm]	H5 [mm]	L [mm]	L1 [mm]	L2 [mm]	L4 [mm]	L5 [mm]	L6 [mm]	L7 [mm]	L8 [mm]	z [mm]
3/8	50	200	27	64	64	137	92	161	56	25	77	83	122	33	64
1/2	50	200	27	64	64	137	95	161	56	25	77	83	122	33	64
3/4	58	209	30	73	64	137	110	161	65	25	77	83	122	33	72
1	68	209	36	73	64	137	123	161	71	25	77	83	122	33	79
1 1/4	84	220	44	84	64	137	146	161	85	45	77	83	122	33	94
1 1/2	97	220	51	84	64	137	157	161	89	45	77	83	122	33	95
2	124	243	64	106	64	137	183	161	101	45	77	83	122	33	107





DN10/15 - 50

Ball valve type 107 ABS 24V With manual emergency override With threaded sockets Rp

Model:

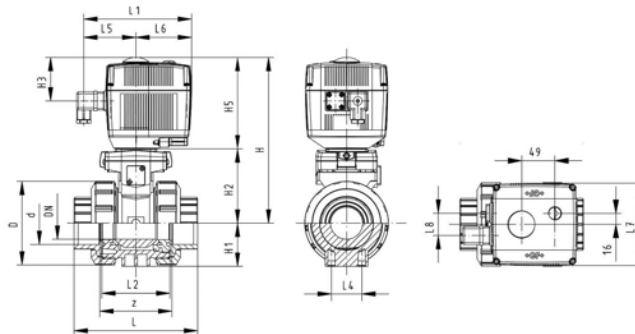
- Built on with electric actuator EA11
- For easy installation and removal
- Integrated stainless steel mounting inserts
- Voltage 24 V AC/DC
- Control range 90°<
- Control time 5 s/90°<

Option:

- Individual configuration of the valve (see form)

Rp [inch]	DN [mm]	PN	kv-value ($\Delta p=1$ bar) [l/min]	EPDM Code	kg
3/8	10	10	70	199 107 692	2.100
1/2	15	10	185	199 107 693	2.100
3/4	20	10	350	199 107 694	2.200
1	25	10	700	199 107 695	2.300
1 1/4	32	10	1000	199 107 696	2.600
1 1/2	40	10	1600	199 107 697	3.000
2	50	10	3100	199 107 698	3.800

Rp [inch]	D [mm]	H [mm]	H1 [mm]	H2 [mm]	H3 [mm]	H5 [mm]	L [mm]	L1 [mm]	L2 [mm]	L4 [mm]	L5 [mm]	L6 [mm]	L7 [mm]	L8 [mm]	z [mm]
3/8	50	200	27	64	64	137	92	161	56	25	77	83	122	33	64
1/2	50	200	27	64	64	137	95	161	56	25	77	83	122	33	64
3/4	58	209	30	73	64	137	110	161	65	25	77	83	122	33	72
1	68	209	36	73	64	137	123	161	71	25	77	83	122	33	79
1 1/4	84	220	44	84	64	137	146	161	85	45	77	83	122	33	94
1 1/2	97	220	51	84	64	137	157	161	89	45	77	83	122	33	95
2	124	243	64	106	64	137	183	161	101	45	77	83	122	33	107





DN10/15 - 50

Ball valve type 107 ABS 100-230V With manual emergency override With solvent cement sockets Inch BS

Model:

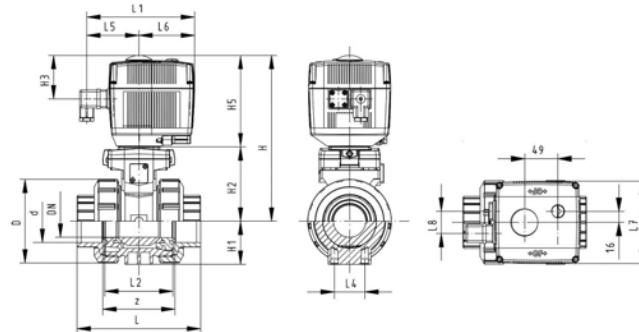
- Built on with electric actuator EA11
- Voltage 100-230 V, 50-60 Hz
- Control range 90°<
- Control time 5 s/90°<
- For easy installation and removal
- Integrated stainless steel mounting inserts

Option:

- Individual configuration of the valve (see form)

Inch	DN [mm]	PN	kv-value ($\Delta p=1$ bar) [l/min]	EPDM Code	kg
3/8	10	10	70	199 107 182	2.100
1/2	15	10	185	199 107 183	2.100
3/4	20	10	350	199 107 184	2.200
1	25	10	700	199 107 185	2.300
1 1/4	32	10	1000	199 107 186	2.600
1 1/2	40	10	1600	199 107 187	3.000
2	50	10	3100	199 107 188	3.800

Inch	D [mm]	H [mm]	H1 [mm]	H2 [mm]	H3 [mm]	H5 [mm]	L [mm]	L1 [mm]	L2 [mm]	L4 [mm]	L5 [mm]	L6 [mm]	L7 [mm]	L8 [mm]	z [mm]
3/8	50	200	27	64	64	137	92	161	56	25	79	83	122	67	60
1/2	50	200	27	64	64	137	95	161	56	25	79	83	122	67	60
3/4	58	209	30	73	64	137	110	161	65	25	79	83	122	67	69
1	68	209	36	73	64	137	123	161	71	25	79	83	122	67	75
1 1/4	84	220	44	84	64	137	146	161	85	45	79	83	122	67	89
1 1/2	97	220	51	84	64	137	157	161	89	45	79	83	122	67	97
2	124	243	64	106	64	137	183	161	101	45	79	83	122	67	110





DN10/15 - 50

Ball valve type 107 ABS 24V With manual emergency override With solvent cement sockets Inch BS

Model:

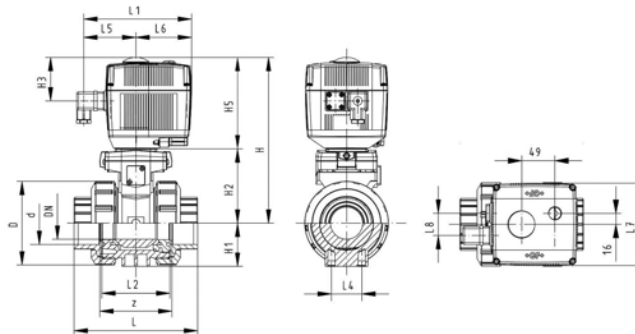
- Built on with electric actuator EA11
- Voltage 24 V AC/DC
- Control range 90°<
- Control time 5 s/90°<
- For easy installation and removal
- Integrated stainless steel mounting inserts

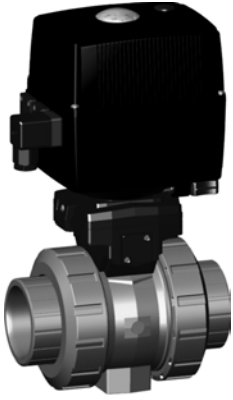
Option:

- Individual configuration of the valve (see form)

Inch	DN [mm]	PN	kv-value ($\Delta p=1$ bar) [l/min]	EPDM Code	kg
3/8	10	10	70	199 107 192	2.100
1/2	15	10	185	199 107 193	2.100
3/4	20	10	350	199 107 194	2.200
1	25	10	700	199 107 195	2.300
1 1/4	32	10	1000	199 107 196	2.600
1 1/2	40	10	1600	199 107 197	3.000
2	50	10	3100	199 107 198	3.800

Inch	D [mm]	H [mm]	H1 [mm]	H2 [mm]	H3 [mm]	H5 [mm]	L [mm]	L1 [mm]	L2 [mm]	L4 [mm]	L5 [mm]	L6 [mm]	L7 [mm]	L8 [mm]	z [mm]
3/8	50	200	27	64	64	137	92	161	56	25	79	83	122	67	60
1/2	50	200	27	64	64	137	95	161	56	25	79	83	122	67	60
3/4	58	209	30	73	64	137	110	161	65	25	79	83	122	67	69
1	68	209	36	73	64	137	123	161	71	25	79	83	122	67	75
1 1/4	84	220	44	84	64	137	146	161	85	45	79	83	122	67	89
1 1/2	97	220	51	84	64	137	157	161	89	45	79	83	122	67	97
2	124	243	64	106	64	137	183	161	101	45	79	83	122	67	110





DN10/15 - 50




Ball valve type 130 ABS 100-230V With manual emergency override With solvent cement sockets metric




Model:

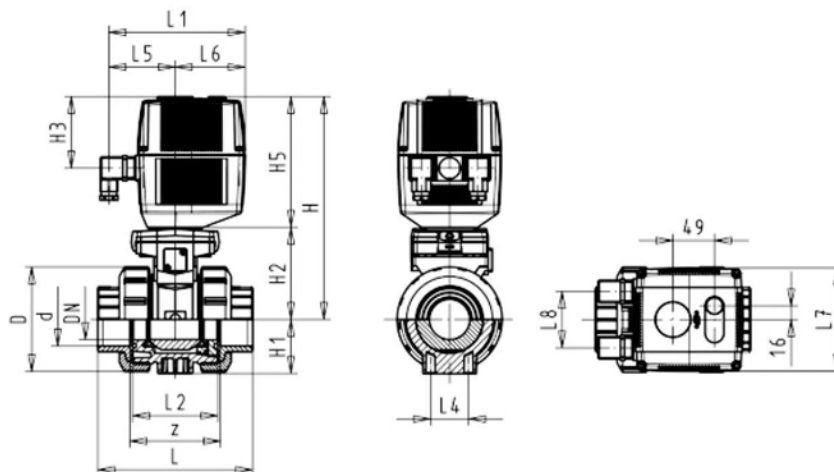
- Assignment of actuators EA21 (DN10/15-50), EA31 (DN65-100 if available)
- Image and drawing DN65-100 please see **New product ball valve DN65-100**
- For easy installation and removal
- Integrated stainless steel mounting inserts
- Voltage 100-230 V, 50-60 Hz
- Control range 90°<
- Control time: EA21: 5s/90°<, EA31: 15s/90°<

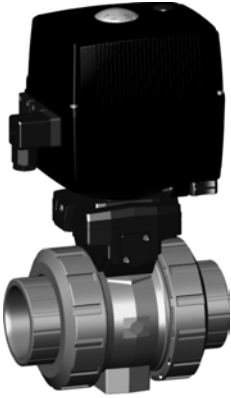
Option:

- Individual configuration of the valve (see form)

d [mm]	DN [mm]	PN	kv-value ($\Delta p=1$ bar) [l/min]	EPDM Code	kg
16	10	10	70	199 130 702	2.100
20	15	10	185	199 130 703	2.100
25	20	10	350	199 130 704	2.200
32	25	10	700	199 130 705	2.300
40	32	10	1000	199 130 706	2.600
50	40	10	1600	199 130 707	3.000
63	50	10	3100	199 130 708	3.800
 75	65	10	5000	199 130 709	3.500
 90	80	10	7000	199 130 710	4.300
 110	100	10	11000	199 130 711	5.400

d [mm]	D [mm]	H [mm]	H1 [mm]	H2 [mm]	H3 [mm]	H5 [mm]	L [mm]	L1 [mm]	L2 [mm]	L4 [mm]	L5 [mm]	L6 [mm]	L7 [mm]	z [mm]
16	50	231	27	64	94	167	92	180	56	25	97	83	122	64
20	50	231	27	64	94	167	95	180	56	25	97	83	122	64
25	58	240	30	73	94	167	110	180	65	25	97	83	122	72
32	68	240	36	73	94	167	123	180	71	25	97	83	122	79
40	84	251	44	84	94	167	146	180	85	45	97	83	122	94
50	97	251	51	84	94	167	157	180	89	45	97	83	122	95
63	124	273	64	106	94	167	183	180	101	45	97	83	122	107
 75	166	346	85	156	94	190	233	180	136	70	98	83	122	144
 90	200	358	105	168	94	190	254	180	141	70	98	83	122	151
 110	238	365	123	175	94	190	301	180	164	120	98	83	122	174





DN10/15 - 50




Ball valve type 130 ABS 24V With manual emergency override With solvent cement sockets metric




Model:

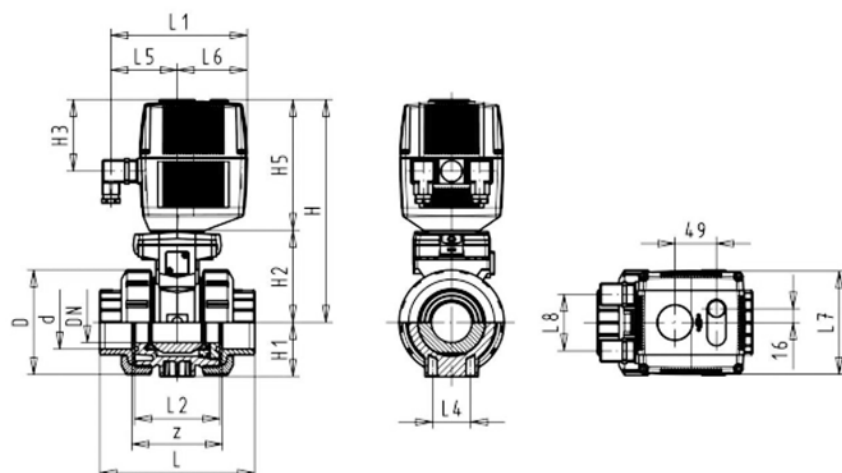
- Assignment of actuators EA21 (DN10/15-50), EA31 (DN65-100 if available)
- Image and drawing DN65-100 please see **New product ball valve DN65-100**
- For easy installation and removal
- Integrated stainless steel mounting inserts
- Voltage 24 V AC/DC
- Control range 90°<
- Control time: EA21: 5s/90°<, EA31: 15s/90°<

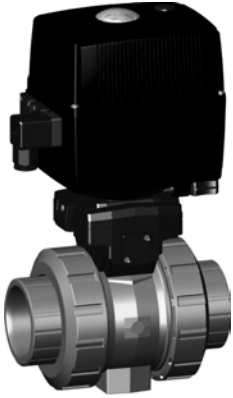
Option:

- Individual configuration of the valve (see form)

d [mm]	DN [mm]	PN	kv-value ($\Delta p=1$ bar) [l/min]	EPDM Code	kg
16	10	10	70	199 130 742	2.100
20	15	10	185	199 130 743	2.100
25	20	10	350	199 130 744	2.200
32	25	10	700	199 130 745	2.300
40	32	10	1000	199 130 746	2.600
50	40	10	1600	199 130 747	3.000
63	50	10	3100	199 130 748	3.800
 75	65	10	5000	199 130 749	3.500
 90	80	10	7000	199 130 750	4.300
 110	100	10	11000	199 130 751	5.400

d [mm]	D [mm]	H [mm]	H1 [mm]	H2 [mm]	H3 [mm]	H5 [mm]	L [mm]	L1 [mm]	L2 [mm]	L4 [mm]	L5 [mm]	L6 [mm]	L7 [mm]	z [mm]
16	50	231	27	64	94	167	92	180	56	25	97	83	122	64
20	50	231	27	64	94	167	95	180	56	25	97	83	122	64
25	58	240	30	73	94	167	110	180	65	25	97	83	122	72
32	68	240	36	73	94	167	123	180	71	25	97	83	122	79
40	84	251	44	84	94	167	146	180	85	45	97	83	122	94
50	97	251	51	84	94	167	157	180	89	45	97	83	122	95
63	124	273	64	106	94	167	183	180	101	45	97	83	122	107
 75	166	346	85	156	94	190	233	180	136	70	98	83	122	144
 90	200	358	105	168	94	190	254	180	141	70	98	83	122	151
 110	238	365	123	175	94	190	301	180	164	120	98	83	122	174





DN10/15 - 50

Ball valve type 130 ABS 100-230V With manual emergency override With threaded sockets Rp

Model:

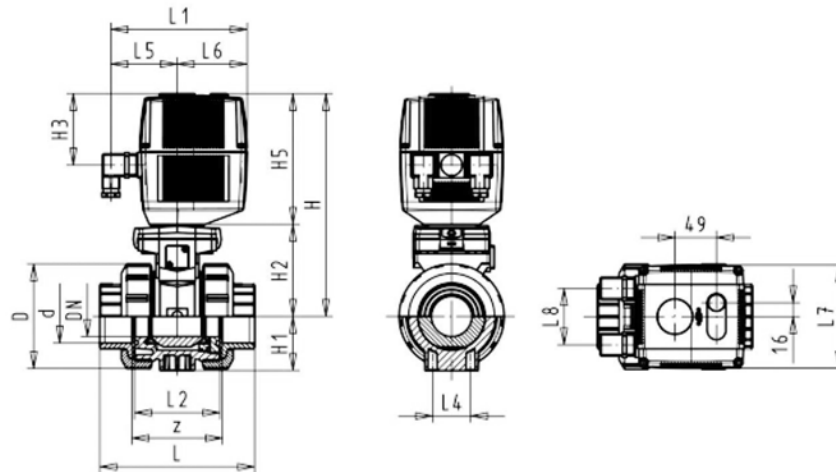
- Assignment of actuators EA21 (DN10/15-50), EA31 (DN65-100 if available)
- Image and drawing DN65-100 please see **New product ball valve DN65-100**
- For easy installation and removal
- Integrated stainless steel mounting inserts
- Voltage 100-230 V, 50-60 Hz
- Control range 90°<
- Control time: EA21: 5s/90°<, EA31: 15s/90°<

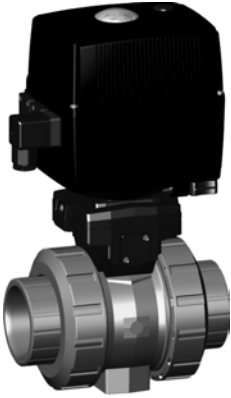
Option:

- Individual configuration of the valve (see form)

Rp [inch]	DN [mm]	PN	kv-value ($\Delta p=1$ bar) [l/min]	EPDM Code	kg
3/8	10	10	70	199 130 722	2.100
1/2	15	10	185	199 130 723	2.100
3/4	20	10	350	199 130 724	2.200
1	25	10	700	199 130 725	2.300
1 1/4	32	10	1000	199 130 726	2.600
1 1/2	40	10	1600	199 130 727	3.000
2	50	10	3100	199 130 728	3.800

Rp [inch]	D [mm]	H [mm]	H1 [mm]	H2 [mm]	H3 [mm]	H5 [mm]	L [mm]	L1 [mm]	L2 [mm]	L4 [mm]	L5 [mm]	L6 [mm]	L7 [mm]	L8 [mm]	z [mm]
3/8	50	231	27	64	94	167	92	180	56	25	97	83	122	66	64
1/2	50	231	27	64	94	167	95	180	56	25	97	83	122	66	64
3/4	58	240	30	73	94	167	110	180	65	25	97	83	122	66	72
1	68	240	36	73	94	167	123	180	71	25	97	83	122	66	79
1 1/4	84	251	44	84	94	167	146	180	85	45	97	83	122	66	94
1 1/2	97	251	51	84	94	167	157	180	89	45	97	83	122	66	95
2	124	273	64	106	94	167	183	180	101	45	97	83	122	66	107





DN10/15 - 50

Ball valve type 130 ABS 24V With manual emergency override With threaded sockets Rp

Model:

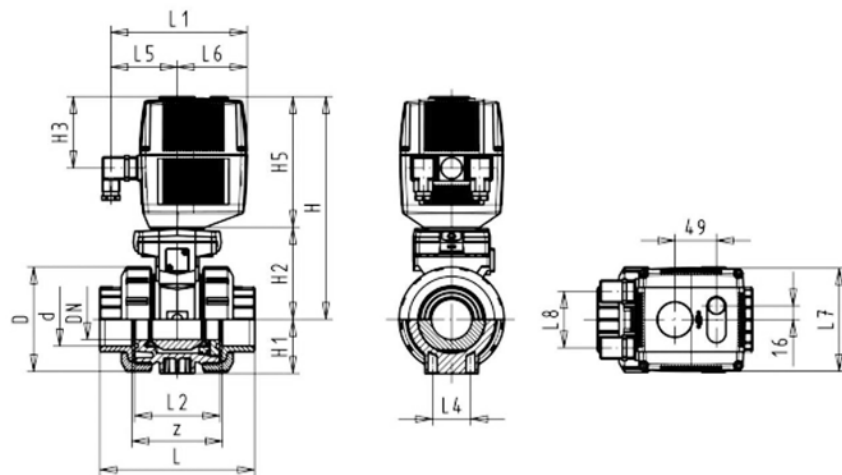
- Assignment of actuators EA21 (DN10/15-50), EA31 (DN65-100 if available)
- Image and drawing DN65-100 please see **New product ball valve DN65-100**
- For easy installation and removal
- Integrated stainless steel mounting inserts
- Voltage 24 V AC/DC
- Control range 90°<
- Control time: EA21: 5s/90°<, EA31: 15s/90°<

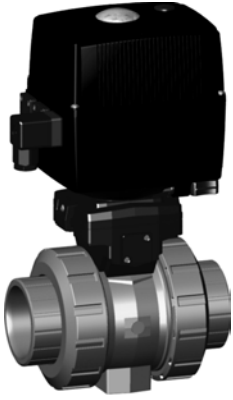
Option:

- Individual configuration of the valve (see form)

Rp [inch]	DN [mm]	PN	kv-value ($\Delta p=1$ bar) [l/min]	EPDM Code	kg
3/8	10	10	70	199 130 762	2.100
1/2	15	10	185	199 130 763	2.100
3/4	20	10	350	199 130 764	2.200
1	25	10	700	199 130 765	2.300
1 1/4	32	10	1000	199 130 766	2.600
1 1/2	40	10	1600	199 130 767	3.000
2	50	10	3100	199 130 768	3.800

Rp [inch]	D [mm]	H [mm]	H1 [mm]	H2 [mm]	H3 [mm]	H5 [mm]	L [mm]	L1 [mm]	L2 [mm]	L4 [mm]	L5 [mm]	L6 [mm]	L7 [mm]	L8 [mm]	z [mm]
3/8	50	231	27	64	94	167	92	180	56	25	97	83	122	66	64
1/2	50	231	27	64	94	167	95	180	56	25	97	83	122	66	64
3/4	58	240	30	73	94	167	110	180	65	25	97	83	122	66	72
1	68	240	36	73	94	167	123	180	71	25	97	83	122	66	79
1 1/4	84	251	44	84	94	167	146	180	85	45	97	83	122	66	94
1 1/2	97	251	51	84	94	167	157	180	89	45	97	83	122	66	95
2	124	273	64	106	94	167	183	180	101	45	97	83	122	66	107





DN10/15 - 50




Ball valve type 134 ABS 100-230V With manual emergency override With solvent cement sockets Inch BS




Model:

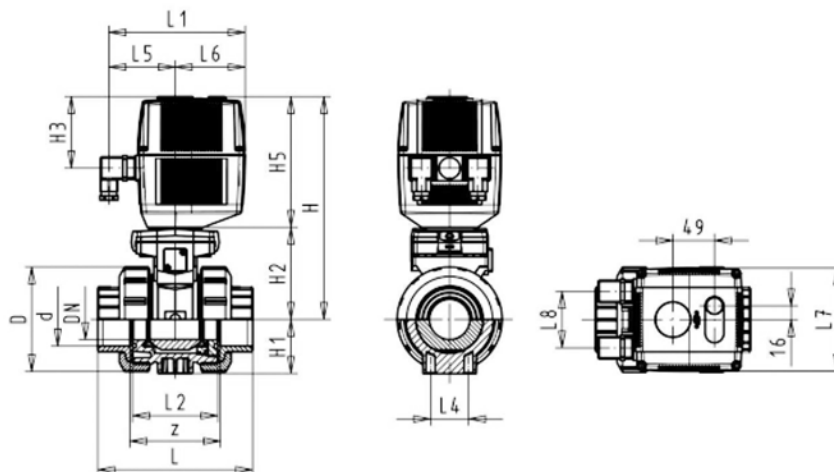
- Assignment of actuators EA21 (DN10/15-50), EA31 (DN65-100 if available)
- Image and drawing DN65-100 please see **New product ball valve DN65-100**
- For easy installation and removal
- Integrated stainless steel mounting inserts
- Voltage 100-230 V, 50-60 Hz
- Control range 90°<
- Control time: EA21: 5s/90°<, EA31: 15s/90°<

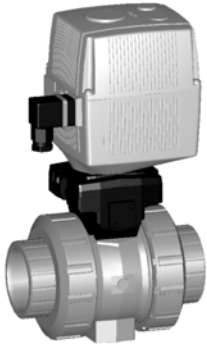
Option:

- Individual configuration of the valve (see form)

Inch	DN [mm]	PN	kv-value ($\Delta p=1$ bar) [l/min]	EPDM Code	kg
3/8	10	10	70	199 134 782	2.100
1/2	15	10	185	199 134 783	2.100
3/4	20	10	350	199 134 784	2.200
1	25	10	700	199 134 785	2.300
1 1/4	32	10	1000	199 134 786	2.600
1 1/2	40	10	1600	199 134 787	3.000
2	50	10	3100	199 134 788	3.800
 2 1/2	65	10	5000	199 134 789	3.500
 3	80	10	7000	199 134 790	4.300
 4	100	10	11000	199 134 791	5.300

Inch	D [mm]	H [mm]	H1 [mm]	H2 [mm]	H3 [mm]	H5 [mm]	L [mm]	L1 [mm]	L2 [mm]	L4 [mm]	L5 [mm]	L6 [mm]	L7 [mm]	z [mm]
3/8	50	231	27	64	94	167	92	180	56	25	97	83	122	60
1/2	50	231	27	64	94	167	95	180	56	25	97	83	122	60
3/4	58	240	30	73	94	167	110	180	65	25	97	83	122	69
1	68	240	36	73	94	167	123	180	71	25	97	83	122	75
1 1/4	84	251	44	84	94	167	146	180	85	45	97	83	122	89
1 1/2	97	251	51	84	94	167	157	180	89	45	97	83	122	97
2	124	273	64	106	94	167	183	180	101	45	97	83	122	110
 2 1/2	166	346	85	156	94	190	233	180	136	70	98	83	122	144
 3	200	358	105	168	94	190	254	180	141	70	98	83	122	151
 4	238	365	123	175	94	190	301	180	164	120	98	83	122	174





DN10/15 - 50

Ball valve type 134 ABS 24V With manual emergency override With solvent cement sockets Inch BS

Model:

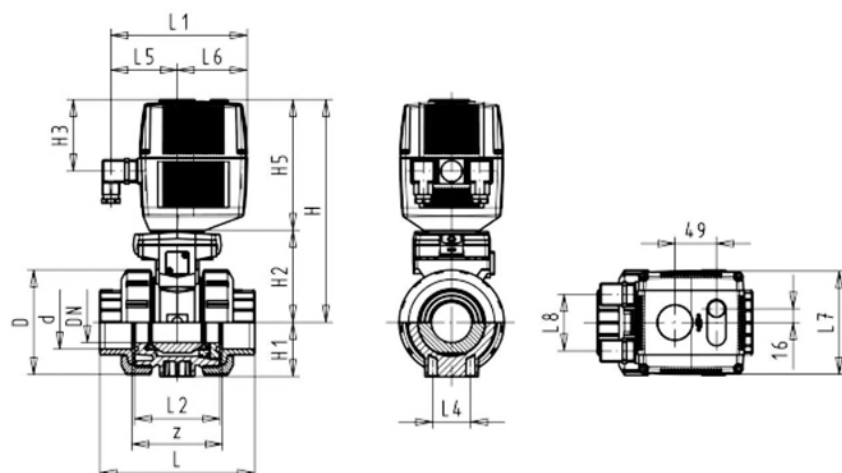
- Assignment of actuators EA21 (DN10/15-50), EA31 (DN65-100 if available)
- Image and drawing DN65-100 please see **New product ball valve DN65-100**
- For easy installation and removal
- Integrated stainless steel mounting inserts
- Voltage 24 V AC/DC
- Control range 90°<
- Control time: EA21: 5s/90°<, EA31: 15s/90°<

Option:

- Individual configuration of the valve (see form)

Inch	DN [mm]	PN	kv-value ($\Delta p=1$ bar) [l/min]	EPDM Code	kg
3/8	10	10	70	199 134 822	2.100
1/2	15	10	185	199 134 823	2.100
3/4	20	10	350	199 134 824	2.200
1	25	10	700	199 134 825	2.300
1 1/4	32	10	1000	199 134 826	2.600
1 1/2	40	10	1600	199 134 827	3.000
2	50	10	3100	199 134 828	3.800
2 1/2	65	10	5000	199 134 829	3.500
3	80	10	7000	199 134 830	4.300
4	100	10	11000	199 134 831	5.300

Inch	D [mm]	H [mm]	H1 [mm]	H2 [mm]	H3 [mm]	H5 [mm]	L [mm]	L1 [mm]	L2 [mm]	L4 [mm]	L5 [mm]	L6 [mm]	L7 [mm]	z [mm]
3/8	50	231	27	64	94	167	92	180	56	25	97	83	122	60
1/2	50	231	27	64	94	167	95	180	56	25	97	83	122	60
3/4	58	240	30	73	94	167	110	180	65	25	97	83	122	69
1	68	240	36	73	94	167	123	180	71	25	97	83	122	75
1 1/4	84	251	44	84	94	167	146	180	85	45	97	83	122	89
1 1/2	97	251	51	84	94	167	157	180	89	45	97	83	122	97
2	124	273	64	106	94	167	183	180	101	45	97	83	122	110
2 1/2	166	346	85	156	94	190	233	180	136	70	98	83	122	144
3	200	358	105	168	94	190	254	180	141	70	98	83	122	151
4	238	365	123	175	94	190	301	180	164	120	98	83	122	174



Copiable

Configurator GF ball valve type 546 ABS

You will find a large selection of different versions in our range of products. New system elements also provide you with new opportunities for use. In order for us to supply exactly the ball valve you need for you application, we have created a selection menu for you.

We supply what you put together.

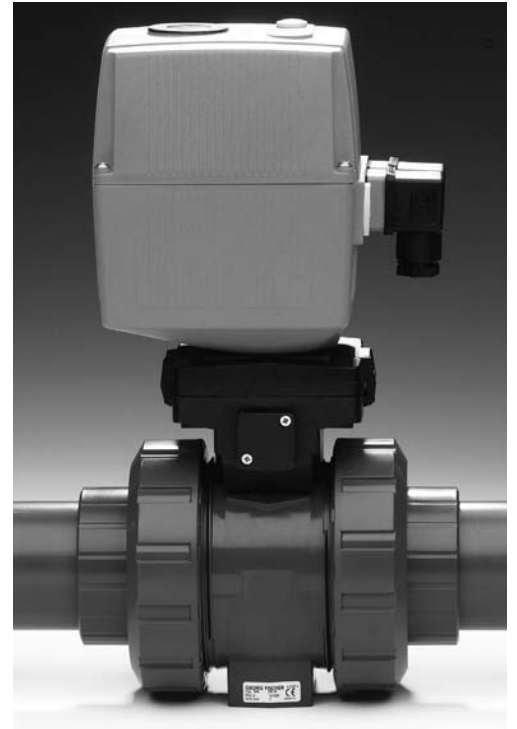
Ball Valve										
A01 Ball Valve 546										
Material										
B03 ABS										
Nominal width										
C05 DN 10 3/8"										
C06 DN 15 1/2"										
C07 DN 20 3/4"										
C08 DN 25 1"										
C09 DN 32 1 1/4"										
C10 DN 40 1 1/2"										
C11 DN 50 2"										
C12 DN 65 2 1/2"										
C13 DN 80 3"										
C14 DN 100 4"										
Version										
D01 Standard, PTFE ball seal										
D04 silicon-free, PVDF ball seal metric (only with specific connecting parts)										
Seals										
E01 EPDM Seals										
E02 FPM Seals										
Threaded inserts										
F01 without threaded inserts										
F02 with threaded inserts										
Connecting parts										
G20 ABS Cement socket metric										
G21 ABS Cement socket inch BS										
G22 ABS Threaded socket Rp										
G23 ABS Threaded socket Rp reinforced										
G40 PE-100 Fusion socket metric										
G41 PE-100 Butt fusion spigot SDR11 metric										
G42 PE-100 Butt fusion spigot SDR17.6 metric										
G43 PE-100 Butt fusion spigot long SDR11 metric										
G44 PE-100 Butt fusion spigot long SDR17.6 metric (DN65-100)										
G83 ABS Valve end blank										
Multi-functional module										
I01 No multi-functional module										
I02 Empty module										
I03 Module with 2 end switches Ag, Ni										
I04 Module with 2 end switches Au										
I05 Module with 2 inductive switches Namur										
I06 Module with 2 inductive switches PNP										
I07 Module with 2 inductive switches NPN										
Lever										
K01 Standard lever red										
K02 Standard lever black										
K11 Multi-functional lever red										
Mounting plate										
L01 without mounting plate										
L02 with mounting plate										
A01	B03	C	D	E	F	G	G	I	K	L
						left	right			

Copiable GF ball valve type 546 with electric Actuator

It's easy to actuate the type 546:

With the configurator, you have a choice of new electric actuators, the EA11 for standard applications and the EA21 with modular design and accessories, for practically any type of operation.

We supply what you put together.



Electric Actuator EA11

- T01 EA11 24 V
- T02 EA11 100-230 V

Accessories EA11

- U01 No accessories
- U02 2 limit switches Ag, Ni
- U03 Heating element
- U04 Fail-safe return
- U05 2 limit switches Ag, Ni normally open

Electric Actuator EA21/31

- T03 EA21/31 24 V
- T04 EA21/31 100-230 V

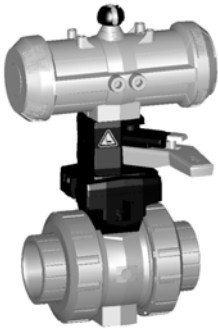
Accessories EA21

- W01 No accessories
- W02 Heating element
- W03 Cycle time module
- W04 Cycle time monitoring
- W05 Cycles monitoring
- W06 Motor current monitoring
- W07 2 limit switches Ag, Ni
- W08 2 limit switches Gold
- W09 2 limit switches NPN
- W10 2 limit switches PNP
- W11 Positioner
- W12 Electric position indicator
- W14 Fail-safe return unit
- W15 Switch intermediate position
- W27 2 limit switches Ag, Ni normally open with connector
- W31 Positioner PE25 with galv. separation

T	U	T	W	W	W	W	W	W

Ball valves pneumatic

Ball valve type 230 ABS FC (Fail safe to close) With manual override With solvent cement sockets metric



DN10/15 - 50

Model:

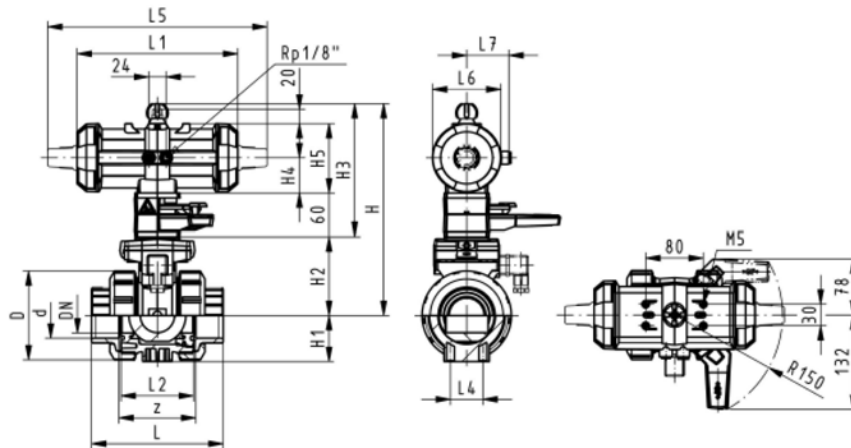
- Built on with pneumatic actuator PA11/21
- Control time $90^\circ <$ 1-2 s
- For easy installation and removal
- Integrated stainless steel mounting inserts

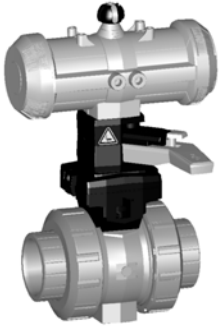
Option:

- Individual configuration of the valve (see form)

d [mm]	DN [mm]	PN	kv-value ($\Delta p=1$ bar) [l/min]	EPDM Code	kg
16	10	10	70	199 230 702	1.459
20	15	10	185	199 230 703	1.459
25	20	10	350	199 230 704	1.576
32	25	10	700	199 230 705	1.700
40	32	10	1000	199 230 706	2.751
50	40	10	1600	199 230 707	3.073
63	50	10	3100	199 230 708	3.931

d [mm]	D [mm]	H [mm]	H1 [mm]	H2 [mm]	H3 [mm]	H4 [mm]	H5 [mm]	L [mm]	L1 [mm]	L2 [mm]	L4 [mm]	L5 [mm]	L6 [mm]	L7 [mm]	z [mm]
16	50	230	27	62	168	40	97	92	194	56	25	261	76	48	64
20	50	230	27	62	168	40	97	95	194	56	25	261	76	48	64
25	58	239	30	71	168	40	97	110	194	65	25	261	76	48	72
32	68	239	36	71	168	40	97	123	194	71	25	261	76	48	79
40	84	271	44	84	187	51	115	146	224	85	45	305	95	59	94
50	97	271	51	84	187	51	115	157	224	89	45	305	95	59	95
63	124	293	64	106	187	51	115	183	224	101	45	305	95	59	107





DN10/15 - 50

Ball valve type 230 ABS FO (Fail safe to open) With manual override With solvent cement sockets metric

Model:

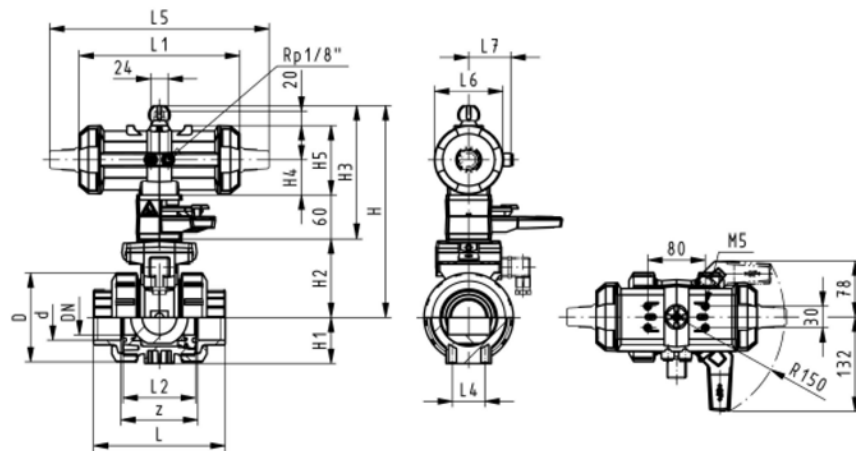
- Built on with pneumatic actuator PA11/21
- Control time 90°<) 1-2 s
- For easy installation and removal
- Integrated stainless steel mounting inserts

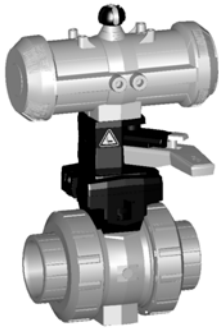
Option:

- Individual configuration of the valve (see form)

d [mm]	DN [mm]	PN	kv-value ($\Delta p=1$ bar) [l/min]	EPDM Code	kg
16	10	10	70	199 230 742	1.459
20	15	10	185	199 230 743	1.459
25	20	10	350	199 230 744	1.576
32	25	10	700	199 230 745	1.700
40	32	10	1000	199 230 746	2.751
50	40	10	1600	199 230 747	3.073
63	50	10	3100	199 230 748	3.931

d [mm]	D [mm]	H [mm]	H1 [mm]	H2 [mm]	H3 [mm]	H4 [mm]	H5 [mm]	L [mm]	L1 [mm]	L2 [mm]	L4 [mm]	L5 [mm]	L6 [mm]	L7 [mm]	z [mm]
16	50	230	27	62	168	40	97	92	194	56	25	261	76	48	64
20	50	230	27	62	168	40	97	95	194	56	25	261	76	48	64
25	58	239	30	71	168	40	97	110	194	65	25	261	76	48	72
32	68	239	36	71	168	40	97	123	194	71	25	261	76	48	79
40	84	271	44	84	187	51	115	146	224	85	45	305	95	59	94
50	97	271	51	84	187	51	115	157	224	89	45	305	95	59	95
63	124	293	64	106	187	51	115	183	224	101	45	305	95	59	107





DN10/15 - 50

Ball valve type 230 ABS DA (Double acting) With manual override With solvent cement sockets metric

Model:

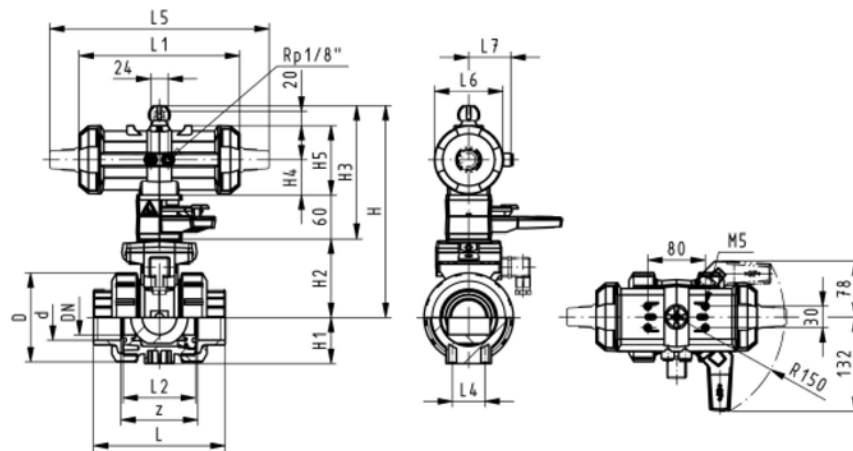
- Built on with pneumatic actuator PA11/21
- Control time $90^\circ <$ 1-2 s
- For easy installation and removal
- Integrated stainless steel mounting inserts

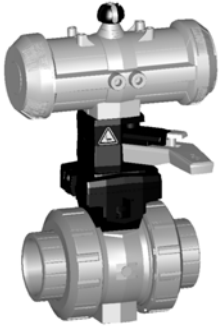
Option:

- Individual configuration of the valve (see form)

d [mm]	DN [mm]	PN	kv-value ($\Delta p=1$ bar) [l/min]	EPDM Code	kg
16	10	10	70	199 230 782	1.459
20	15	10	185	199 230 783	1.459
25	20	10	350	199 230 784	1.576
32	25	10	700	199 230 785	1.700
40	32	10	1000	199 230 786	2.751
50	40	10	1600	199 230 787	3.073
63	50	10	3100	199 230 788	3.931

d [mm]	D [mm]	H [mm]	H1 [mm]	H2 [mm]	H3 [mm]	H4 [mm]	H5 [mm]	L [mm]	L1 [mm]	L2 [mm]	L4 [mm]	L5 [mm]	L6 [mm]	L7 [mm]	z [mm]
16	50	230	27	62	168	40	97	92	194	56	25	261	76	48	64
20	50	230	27	62	168	40	97	95	194	56	25	261	76	48	64
25	58	239	30	71	168	40	97	110	194	65	25	261	76	48	72
32	68	239	36	71	168	40	97	123	194	71	25	261	76	48	79
40	84	271	44	84	187	51	115	146	224	85	45	305	95	59	94
50	97	271	51	84	187	51	115	157	224	89	45	305	95	59	95
63	124	293	64	106	187	51	115	183	224	101	45	305	95	59	107





DN10/15 - 50

Ball valve type 230 ABS FC (Fail safe to close) With manual override With threaded sockets Rp

Model:

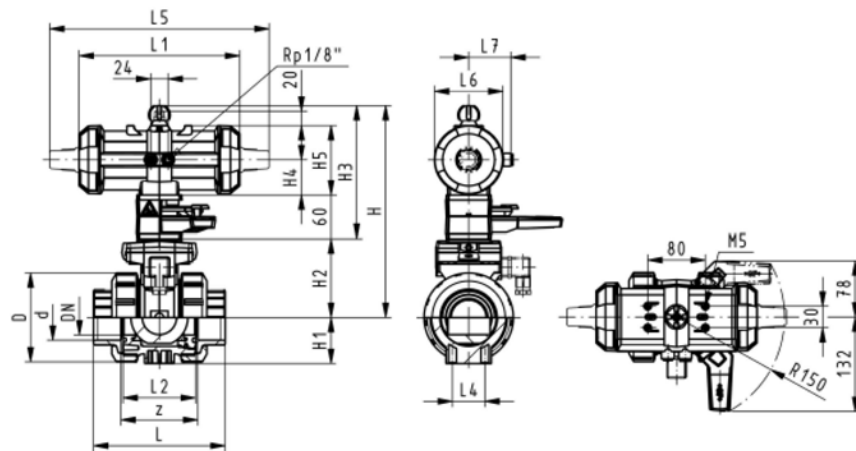
- Built on with pneumatic actuator PA11/21
- Control time 90°<) 1-2 s
- For easy installation and removal
- Integrated stainless steel mounting inserts

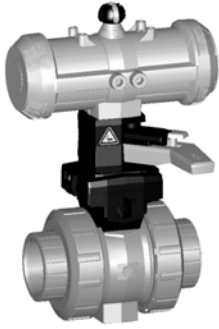
Option:

- Individual configuration of the valve (see form)

Rp [inch]	DN [mm]	PN	kv-value ($\Delta p=1$ bar) [l/min]	EPDM Code	kg
3/8	10	10	70	199 230 722	1.459
1/2	15	10	185	199 230 723	1.459
3/4	20	10	350	199 230 724	1.576
1	25	10	700	199 230 725	1.700
1 1/4	32	10	1000	199 230 726	2.751
1 1/2	40	10	1600	199 230 727	3.073
2	50	10	3100	199 230 728	3.931

Rp [inch]	D [mm]	H [mm]	H1 [mm]	H2 [mm]	H3 [mm]	H4 [mm]	H5 [mm]	L [mm]	L1 [mm]	L2 [mm]	L4 [mm]	L5 [mm]	L6 [mm]	L7 [mm]	z [mm]
3/8	50	230	27	62	168	40	97	92	194	56	25	261	76	48	64
1/2	50	230	27	62	168	40	97	95	194	56	25	261	76	48	64
3/4	58	239	30	71	168	40	97	110	194	65	25	261	76	48	72
1	68	239	36	71	168	40	97	123	194	71	25	261	76	48	79
1 1/4	84	271	44	84	187	51	115	146	224	85	45	305	95	59	94
1 1/2	97	271	51	84	187	51	115	157	224	89	45	305	95	59	95
2	124	293	64	106	187	51	115	183	224	101	45	305	95	59	107





DN10/15 - 50

Ball valve type 230 ABS FO (Fail safe to open) With manual override With threaded sockets Rp

Model:

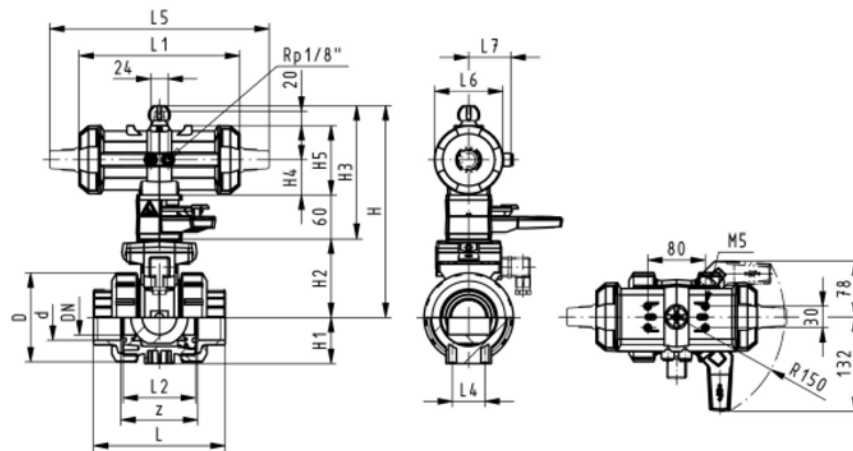
- Built on with pneumatic actuator PA11/21
- Control time $90^\circ <$ 1-2 s
- For easy installation and removal
- Integrated stainless steel mounting inserts

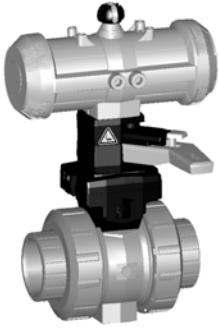
Option:

- Individual configuration of the valve (see form)

Rp [inch]	DN [mm]	PN	kv-value ($\Delta p=1$ bar) [l/min]	EPDM Code	kg
$\frac{3}{8}$	10	10	70	199 230 762	1.459
$\frac{1}{2}$	15	10	185	199 230 763	1.459
$\frac{3}{4}$	20	10	350	199 230 764	1.576
1	25	10	700	199 230 765	1.700
1 $\frac{1}{4}$	32	10	1000	199 230 766	2.751
1 $\frac{1}{2}$	40	10	1600	199 230 767	3.073
2	50	10	3100	199 230 768	3.931

Rp [inch]	D [mm]	H [mm]	H1 [mm]	H2 [mm]	H3 [mm]	H4 [mm]	H5 [mm]	L [mm]	L1 [mm]	L2 [mm]	L4 [mm]	L5 [mm]	L6 [mm]	L7 [mm]	z [mm]
$\frac{3}{8}$	50	230	27	62	168	40	97	92	194	56	25	261	76	48	64
$\frac{1}{2}$	50	230	27	62	168	40	97	95	194	56	25	261	76	48	64
$\frac{3}{4}$	58	239	30	71	168	40	97	110	194	65	25	261	76	48	72
1	68	239	36	71	168	40	97	123	194	71	25	261	76	48	79
1 $\frac{1}{4}$	84	271	44	84	187	51	115	146	224	85	45	305	95	59	94
1 $\frac{1}{2}$	97	271	51	84	187	51	115	157	224	89	45	305	95	59	95
2	124	293	64	106	187	51	115	183	224	101	45	305	95	59	107





DN10/15 - 50

Ball valve type 230 ABS DA (Double acting) With manual override With threaded sockets Rp

Model:

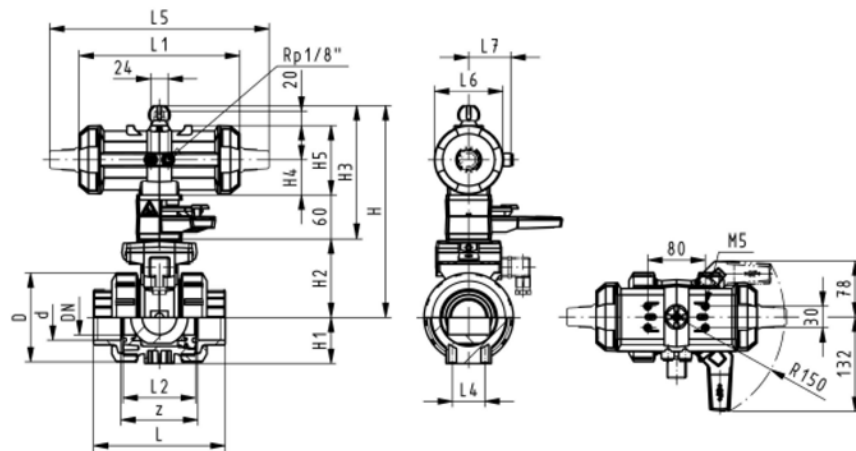
- Built on with pneumatic actuator PA11/21
- Control time 90°<) 1-2 s
- For easy installation and removal
- Integrated stainless steel mounting inserts

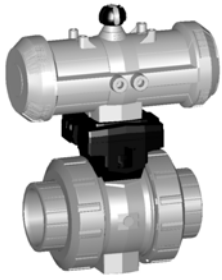
Option:

- Individual configuration of the valve (see form)

Rp [inch]	DN [mm]	PN	kv-value ($\Delta p=1$ bar) [l/min]	EPDM Code	kg
3/8	10	10	70	199 230 802	1.459
1/2	15	10	185	199 230 803	1.459
3/4	20	10	350	199 230 804	1.576
1	25	10	700	199 230 805	1.700
1 1/4	32	10	1000	199 230 806	2.751
1 1/2	40	10	1600	199 230 807	3.073
2	50	10	3100	199 230 808	3.931

Rp [inch]	D [mm]	H [mm]	H1 [mm]	H2 [mm]	H3 [mm]	H4 [mm]	H5 [mm]	L [mm]	L1 [mm]	L2 [mm]	L4 [mm]	L5 [mm]	L6 [mm]	L7 [mm]	z [mm]
3/8	50	230	27	62	168	40	97	92	194	56	25	261	76	48	64
1/2	50	230	27	62	168	40	97	95	194	56	25	261	76	48	64
3/4	58	239	30	71	168	40	97	110	194	65	25	261	76	48	72
1	68	239	36	71	168	40	97	123	194	71	25	261	76	48	79
1 1/4	84	271	44	84	187	51	115	146	224	85	45	305	95	59	94
1 1/2	97	271	51	84	187	51	115	157	224	89	45	305	95	59	95
2	124	293	64	106	187	51	115	183	224	101	45	305	95	59	107





DN10/15 - 50




Ball valve type 230 ABS FC (Fail safe to close) Without manual override With solvent cement sockets metric




Model:

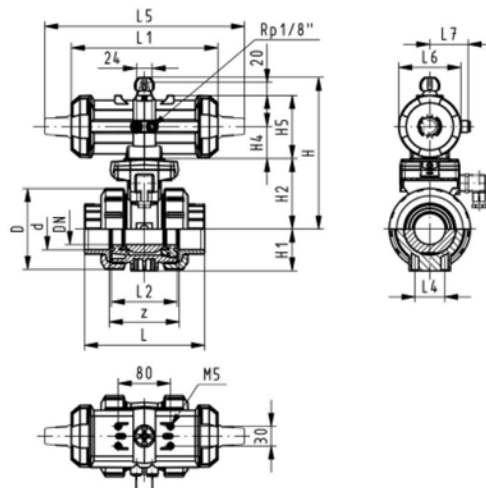
- Assignment of actuators PA11 (DN10/15-25), PA21 (DN32-50), PA30 (DN65), PA35 (DN80), PA40 (DN100)
- Image and drawing DN65-100 please see **New product ball valve DN65-100**
- For easy installation and removal
- Integrated stainless steel mounting inserts
- Control time $90^\circ <$) 1-2 s

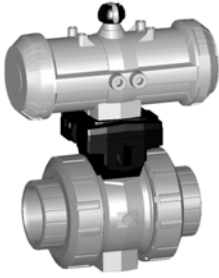
Option:

- Individual configuration of the valve (see form)

d [mm]	DN [mm]	PN	kv-value ($\Delta p=1$ bar) [l/min]	EPDM Code	kg
16	10	10	70	199 230 822	1.459
20	15	10	185	199 230 823	1.459
25	20	10	350	199 230 824	1.576
32	25	10	700	199 230 825	1.700
40	32	10	1000	199 230 826	2.751
50	40	10	1600	199 230 827	3.073
63	50	10	3100	199 230 828	3.931
 75	65	10	5000	199 230 829	3.900
 90	80	10	7000	199 230 830	4.700
 110	100	10	11000	199 230 831	6.800

d [mm]	D [mm]	H [mm]	H1 [mm]	H2 [mm]	H4 [mm]	H5 [mm]	L [mm]	L1 [mm]	L2 [mm]	L4 [mm]	L5 [mm]	L6 [mm]	L7 [mm]	z [mm]
16	50	167	27	62	40	97	92	194	56	25	261	76	48	64
20	50	167	27	62	40	97	95	194	56	25	261	76	48	64
25	58	176	30	71	40	97	110	194	65	25	261	76	48	72
32	68	176	36	71	40	97	123	194	71	25	261	76	48	79
40	84	210	44	84	51	115	146	224	85	45	305	95	59	94
50	97	210	51	84	51	115	157	224	89	45	305	95	59	95
63	124	232	64	106	51	115	183	224	101	45	305	95	59	107
 75	166	262	85	156		70	233	218	136	70	276	65		144
 90	200	281	105	168		78	254	259	141	70	341	72		151
 110	238	292	123	175		86	301	287	164	120	369	80		174





DN10/15 - 50




Ball valve type 230 ABS FO (Fail safe to open) Without manual override With solvent cement sockets metric




Model:

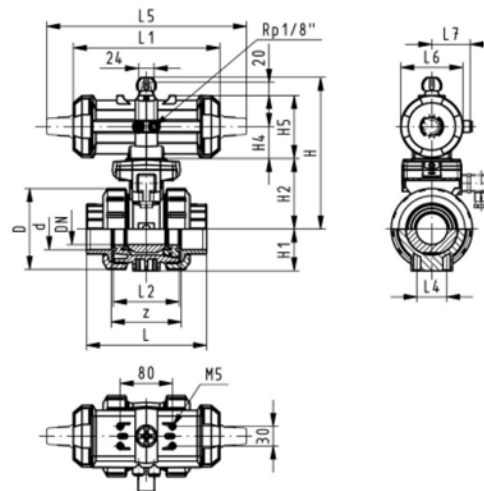
- Assignment of actuators PA11 (DN10/15-25), PA21 (DN32-50), PA30 (DN65), PA35 (DN80), PA40 (DN100)
- Image and drawing DN65-100 please see **New product ball valve DN65-100**
- For easy installation and removal
- Integrated stainless steel mounting inserts
- Control time 90° < 1-2 s

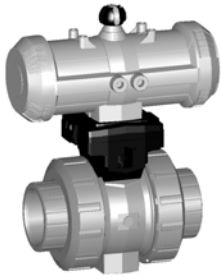
Option:

- Individual configuration of the valve (see form)

d [mm]	DN [mm]	PN	kv-value ($\Delta p=1$ bar) [l/min]	EPDM Code	kg
16	10	10	70	199 230 862	1.459
20	15	10	185	199 230 863	1.459
25	20	10	350	199 230 864	1.576
32	25	10	700	199 230 865	1.700
40	32	10	1000	199 230 866	2.751
50	40	10	1600	199 230 867	3.073
63	50	10	3100	199 230 868	3.931
 75	65	10	5000	199 230 869	3.900
 90	80	10	7000	199 230 870	4.700
 110	100	10	11000	199 230 871	6.800

d [mm]	D [mm]	H [mm]	H1 [mm]	H2 [mm]	H4 [mm]	H5 [mm]	L [mm]	L1 [mm]	L2 [mm]	L4 [mm]	L5 [mm]	L6 [mm]	L7 [mm]	z [mm]
16	50	167	27	62	40	97	92	194	56	25	261	76	48	64
20	50	167	27	62	40	97	95	194	56	25	261	76	48	64
25	58	176	30	71	40	97	110	194	65	25	261	76	48	72
32	68	176	36	71	40	97	123	194	71	25	261	76	48	79
40	84	210	44	84	51	115	146	224	85	45	305	95	59	94
50	97	210	51	84	51	115	157	224	89	45	305	95	59	95
63	124	232	64	106	51	115	183	224	101	45	305	95	59	107
 75	166	262	85	156		70	233	218	136	70	276	65		144
 90	200	281	105	168		78	254	259	141	70	341	72		151
 110	238	292	123	175		86	301	287	164	120	369	80		174





DN10/15 - 50




Ball valve type 230 ABS DA (Double acting) Without manual override With solvent cement sockets metric




Model:

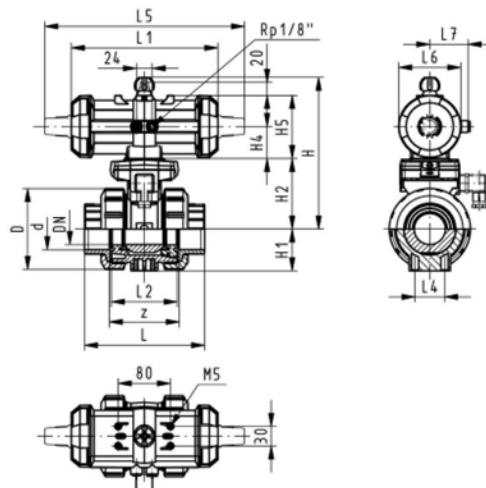
- Assignment of actuators: PA11 (DN10/15-25), PA21 (DN32-50), PA35 (DN65), PA40 (DN80), PA45 (DN100)
- Image and drawing DN65-100 please see **New product ball valve DN65-100**
- For easy installation and removal
- Integrated stainless steel mounting inserts
- Control time $90^\circ <$) 1-2 s

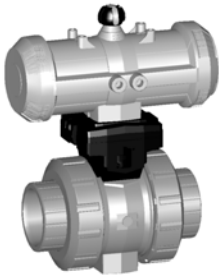
Option:

- Individual configuration of the valve (see form)

d [mm]	DN [mm]	PN	kv-value ($\Delta p=1$ bar) [l/min]	EPDM Code	kg
16	10	10	70	199 230 902	1.459
20	15	10	185	199 230 903	1.459
25	20	10	350	199 230 904	1.576
32	25	10	700	199 230 905	1.700
40	32	10	1000	199 230 906	2.751
50	40	10	1600	199 230 907	3.073
63	50	10	3100	199 230 908	3.931
 75	65	10	5000	199 230 909	2.800
 90	80	10	7000	199 230 910	4.000
 110	100	10	11000	199 230 911	5.000

d [mm]	D [mm]	H [mm]	H1 [mm]	H2 [mm]	H4 [mm]	H5 [mm]	L [mm]	L1 [mm]	L2 [mm]	L4 [mm]	L5 [mm]	L6 [mm]	L7 [mm]	z [mm]
16	50	167	27	62	40	97	92	194	56	25	261	76	48	64
20	50	167	27	62	40	97	95	194	56	25	261	76	48	64
25	58	176	30	71	40	97	110	194	65	25	261	76	48	72
32	68	176	36	71	40	97	123	194	71	25	261	76	48	79
40	84	210	44	84	51	115	146	224	85	45	305	95	59	94
50	97	210	51	84	51	115	157	224	89	45	305	95	59	95
63	124	232	64	106	51	115	183	224	101	45	305	95	59	107
 75	166	257	85	156		66	233	144	136	70	190	60		144
 90	200	274	105	168		70	254	152	141	70	198	65		151
 110	238	273	123	175		78	301	169	164	120	235	72		174





DN10/15 - 50

Ball valve type 230 ABS FC (Fail safe to close) Without manual override With threaded sockets Rp

Model:

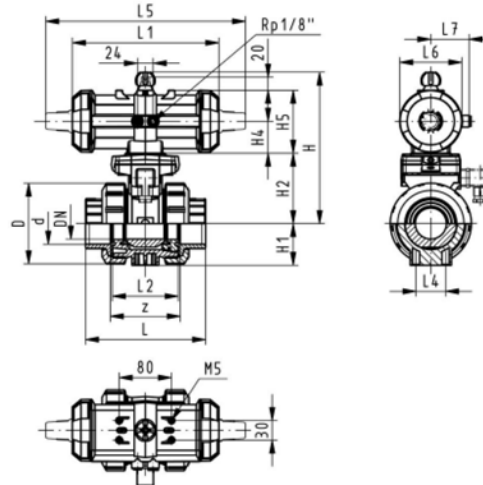
- Assignment of actuators PA11 (DN10/15-25), PA21 (DN32-50), PA30 (DN65), PA35 (DN80), PA40 (DN100)
- Image and drawing DN65-100 please see **New product ball valve DN65-100**
- For easy installation and removal
- Integrated stainless steel mounting inserts
- Control time 90°<) 1-2 s

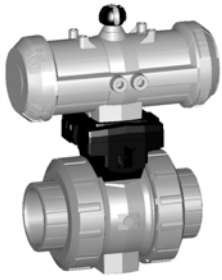
Option:

- Individual configuration of the valve (see form)

Rp [inch]	DN [mm]	PN	kv-value ($\Delta p=1$ bar) [l/min]	EPDM Code	kg
3/8	10	10	70	199 230 842	1.200
1/2	15	10	185	199 230 843	1.200
3/4	20	10	350	199 230 844	1.300
1	25	10	700	199 230 845	1.400
1 1/4	32	10	1000	199 230 846	2.500
1 1/2	40	10	1600	199 230 847	2.800
2	50	10	3100	199 230 848	3.700

Rp [inch]	D [mm]	H [mm]	H1 [mm]	H2 [mm]	H4 [mm]	H5 [mm]	L [mm]	L1 [mm]	L2 [mm]	L4 [mm]	L5 [mm]	L6 [mm]	L7 [mm]	z [mm]
3/8	50	167	27	62	40	97	92	194	56	25	261	76	48	64
1/2	50	167	27	62	40	97	95	194	56	25	261	76	48	64
3/4	58	176	30	71	40	97	110	194	65	25	261	76	48	72
1	68	176	36	71	40	97	123	194	71	25	261	76	48	79
1 1/4	84	210	44	84	51	115	146	224	85	45	305	95	59	94
1 1/2	97	210	51	84	51	115	157	224	89	45	305	95	59	95
2	124	232	64	106	51	115	183	224	101	45	305	95	59	107





DN10/15 - 50

Ball valve type 230 ABS FO (Fail safe to open) Without manual override With threaded sockets Rp

Model:

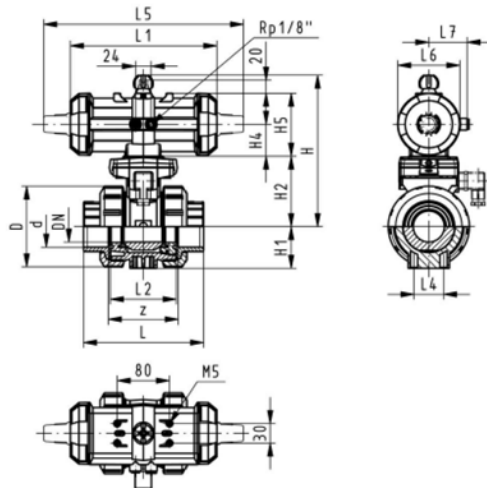
- Assignment of actuators PA11 (DN10/15-25), PA21 (DN32-50), PA30 (DN65), PA35 (DN80), PA40 (DN100)
- Image and drawing DN65-100 please see **New product ball valve DN65-100**
- For easy installation and removal
- Integrated stainless steel mounting inserts
- Control time $90^\circ <$) 1-2 s

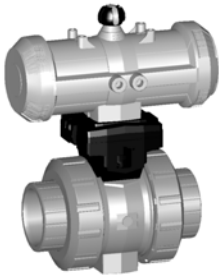
Option:

- Individual configuration of the valve (see form)

Rp [inch]	DN [mm]	PN	kv-value ($\Delta p=1$ bar) [l/min]	EPDM Code	kg
3/8	10	10	70	199 230 882	1.200
1/2	15	10	185	199 230 883	1.200
3/4	20	10	350	199 230 884	1.300
1	25	10	700	199 230 885	1.400
1 1/4	32	10	1000	199 230 886	2.500
1 1/2	40	10	1600	199 230 887	2.800
2	50	10	3100	199 230 888	3.700

Rp [inch]	D [mm]	H [mm]	H1 [mm]	H2 [mm]	H4 [mm]	H5 [mm]	L [mm]	L1 [mm]	L2 [mm]	L4 [mm]	L5 [mm]	L6 [mm]	L7 [mm]	z [mm]
3/8	50	167	27	62	40	97	92	194	56	25	261	76	48	64
1/2	50	167	27	62	40	97	95	194	56	25	261	76	48	64
3/4	58	176	30	71	40	97	110	194	65	25	261	76	48	72
1	68	176	36	71	40	97	123	194	71	25	261	76	48	79
1 1/4	84	210	44	84	51	115	146	224	85	45	305	95	59	94
1 1/2	97	210	51	84	51	115	157	224	89	45	305	95	59	95
2	124	232	64	106	51	115	183	224	101	45	305	95	59	107





DN10/15 - 50

Ball valve type 230 ABS DA (Double acting) Without manual override With threaded sockets Rp

Model:

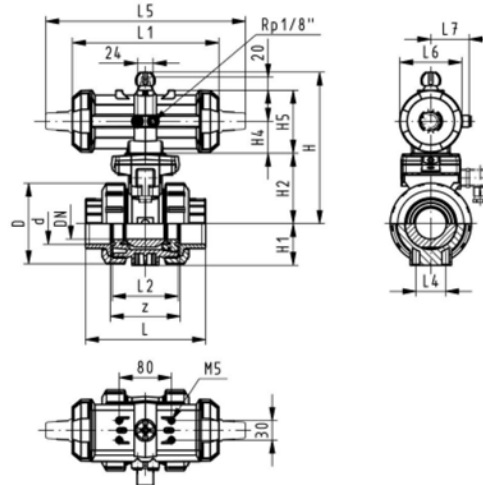
- Assignment of actuators: PA11 (DN10/15-25), PA21 (DN32-50), PA35 (DN65), PA40 (DN80), PA45 (DN100)
- Image and drawing DN65-100 please see **New product ball valve DN65-100**
- For easy installation and removal
- Integrated stainless steel mounting inserts
- Control time 90°<) 1-2 s

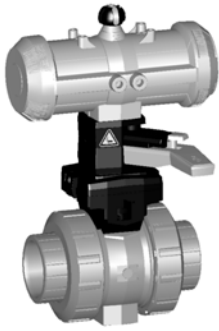
Option:

- Individual configuration of the valve (see form)

Rp [inch]	DN [mm]	PN	kv-value ($\Delta p=1$ bar) [l/min]	EPDM Code	kg
3/8	10	10	70	199 230 922	1.200
1/2	15	10	185	199 230 923	1.200
3/4	20	10	350	199 230 924	1.300
1	25	10	700	199 230 925	1.400
1 1/4	32	10	1000	199 230 926	2.500
1 1/2	40	10	1600	199 230 927	2.800
2	50	10	3100	199 230 928	3.700

Rp [inch]	D [mm]	H [mm]	H1 [mm]	H2 [mm]	H4 [mm]	H5 [mm]	L [mm]	L1 [mm]	L2 [mm]	L4 [mm]	L5 [mm]	L6 [mm]	L7 [mm]	z [mm]
3/8	50	167	27	62	40	97	92	194	56	25	261	76	48	64
1/2	50	167	27	62	40	97	95	194	56	25	261	76	48	64
3/4	58	176	30	71	40	97	110	194	65	25	261	76	48	72
1	68	176	36	71	40	97	123	194	71	25	261	76	48	79
1 1/4	84	210	44	84	51	115	146	224	85	45	305	95	59	94
1 1/2	97	210	51	84	51	115	157	224	89	45	305	95	59	95
2	124	232	64	106	51	115	183	224	101	45	305	95	59	107





DN10/15 - 50

Ball valve type 234 ABS FC (Fail safe to close) With manual override With solvent cement sockets Inch BS

Model:

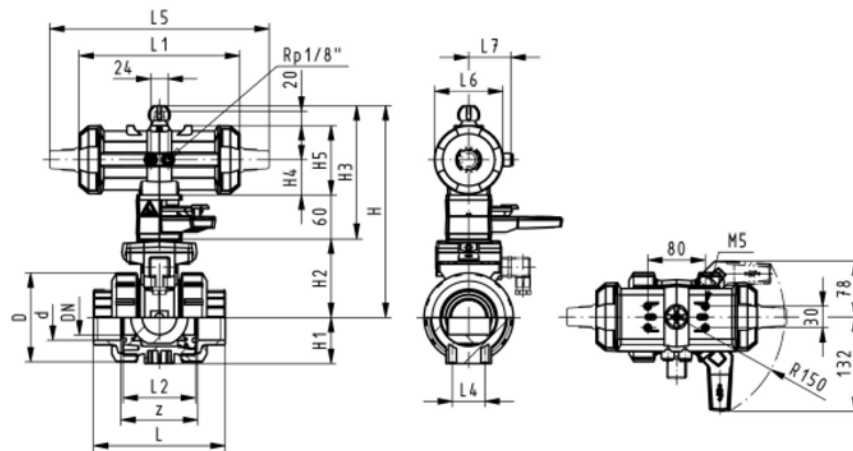
- Built on with pneumatic actuator PA11/21
- Control time 90°<) 1-2 s
- For easy installation and removal
- Integrated stainless steel mounting inserts

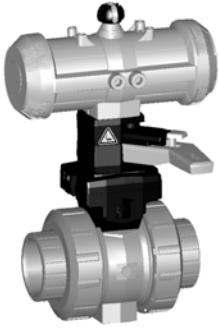
Option:

- Individual configuration of the valve (see form)

Inch	DN [mm]	PN	kv-value ($\Delta p=1$ bar) [l/min]	EPDM Code	kg
3/8	10	10	70	199 234 702	1.500
1/2	15	10	185	199 234 703	1.500
3/4	20	10	350	199 234 704	1.600
1	25	10	700	199 234 705	1.700
1 1/4	32	10	1000	199 234 706	2.800
1 1/2	40	10	1600	199 234 707	3.100
2	50	10	3100	199 234 708	4.000

Inch	D [mm]	H [mm]	H1 [mm]	H2 [mm]	H3 [mm]	H4 [mm]	H5 [mm]	L [mm]	L1 [mm]	L2 [mm]	L4 [mm]	L5 [mm]	L6 [mm]	L7 [mm]	z [mm]
3/8	50	230	27	62	168	40	97	92	194	56	25	261	76	48	60
1/2	50	230	27	62	168	40	97	95	194	56	25	261	76	48	60
3/4	58	239	30	71	168	40	97	110	194	65	25	261	76	48	69
1	68	239	36	71	168	40	97	123	194	71	25	261	76	48	75
1 1/4	84	271	44	84	187	51	115	146	224	85	45	305	95	59	89
1 1/2	97	271	51	84	187	51	115	157	224	89	45	305	95	59	97
2	124	293	64	106	187	51	115	183	224	101	45	305	95	59	110





DN10/15 - 50

Ball valve type 234 ABS FO (Fail safe to open) With manual override With solvent cement sockets Inch BS

Model:

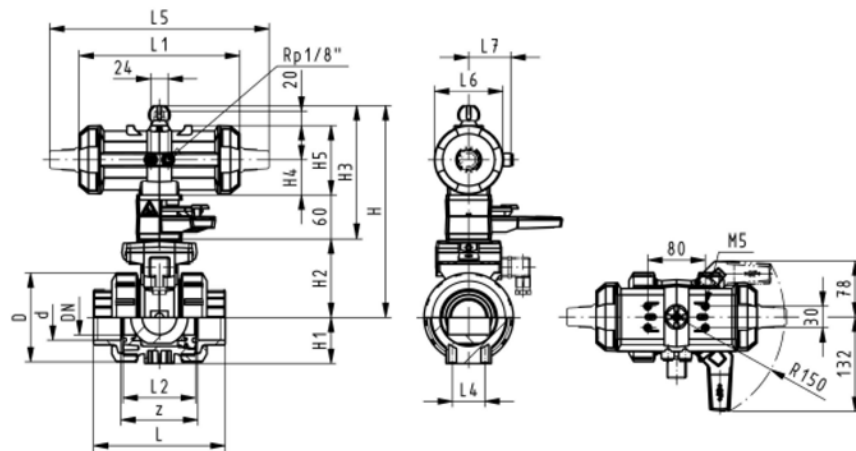
- Built on with pneumatic actuator PA11/21
- Control time 90°<) 1-2 s
- For easy installation and removal
- Integrated stainless steel mounting inserts

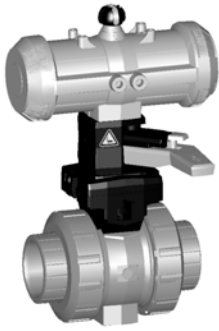
Option:

- Individual configuration of the valve (see form)

Inch	Inch	DN [mm]	PN	kv-value ($\Delta p=1$ bar) [l/min]	EPDM Code	kg
3/8	3/8	10	10	70	199 234 742	1.500
1/2	1/2	15	10	185	199 234 743	1.500
3/4	3/4	20	10	350	199 234 744	1.600
1	1	25	10	700	199 234 745	1.700
1 1/4	1 1/4	32	10	1000	199 234 746	2.800
1 1/2	1 1/2	40	10	1600	199 234 747	3.100
2	2	50	10	3100	199 234 748	4.000

Inch	D [mm]	H [mm]	H1 [mm]	H2 [mm]	H3 [mm]	H4 [mm]	H5 [mm]	L [mm]	L1 [mm]	L2 [mm]	L4 [mm]	L5 [mm]	L6 [mm]	L7 [mm]	z [mm]
3/8	50	230	27	62	168	40	97	92	194	56	25	261	76	48	60
1/2	50	230	27	62	168	40	97	95	194	56	25	261	76	48	60
3/4	58	239	30	71	168	40	97	110	194	65	25	261	76	48	69
1	68	239	36	71	168	40	97	123	194	71	25	261	76	48	75
1 1/4	84	271	44	84	187	51	115	146	224	85	45	305	95	59	89
1 1/2	97	271	51	84	187	51	115	157	224	89	45	305	95	59	97
2	124	293	64	106	187	51	115	183	224	101	45	305	95	59	110





DN10/15 - 50

Ball valve type 234 ABS DA (Double acting) With manual override With solvent cement sockets Inch BS

Model:

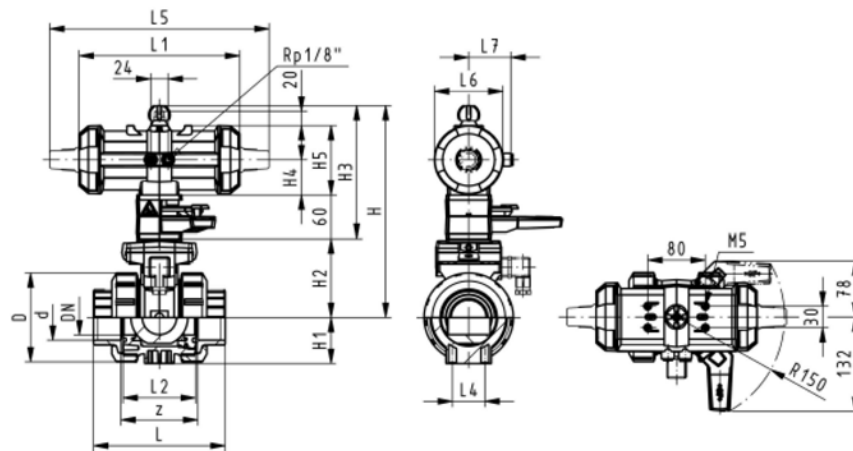
- Built on with pneumatic actuator PA11/21
- Control time $90^\circ <$) 1-2 s
- For easy installation and removal
- Integrated stainless steel mounting inserts

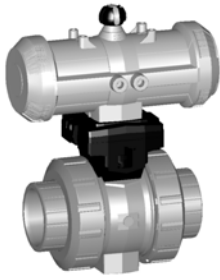
Option:

- Individual configuration of the valve (see form)

Inch	DN [mm]	PN	kv-value ($\Delta p=1$ bar) [l/min]	EPDM Code	kg
$\frac{3}{8}$	10	10	70	199 234 782	1.500
$\frac{1}{2}$	15	10	185	199 234 783	1.500
$\frac{3}{4}$	20	10	350	199 234 784	1.600
1	25	10	700	199 234 785	1.700
1 $\frac{1}{4}$	32	10	1000	199 234 786	2.800
1 $\frac{1}{2}$	40	10	1600	199 234 787	3.100
2	50	10	3100	199 234 788	4.000

Inch	D [mm]	H [mm]	H1 [mm]	H2 [mm]	H3 [mm]	H4 [mm]	H5 [mm]	L [mm]	L1 [mm]	L2 [mm]	L4 [mm]	L5 [mm]	L6 [mm]	L7 [mm]	z [mm]
$\frac{3}{8}$	50	230	27	62	168	40	97	92	194	56	25	261	76	48	60
$\frac{1}{2}$	50	230	27	62	168	40	97	95	194	56	25	261	76	48	60
$\frac{3}{4}$	58	239	30	71	168	40	97	110	194	65	25	261	76	48	69
1	68	239	36	71	168	40	97	123	194	71	25	261	76	48	75
1 $\frac{1}{4}$	84	271	44	84	187	51	115	146	224	85	45	305	95	59	89
1 $\frac{1}{2}$	97	271	51	84	187	51	115	157	224	89	45	305	95	59	97
2	124	293	64	106	187	51	115	183	224	101	45	305	95	59	110





DN10/15 - 50




Ball valve type 234 ABS FC (Fail safe to close) Without manual override With solvent cement sockets Inch BS




Model:

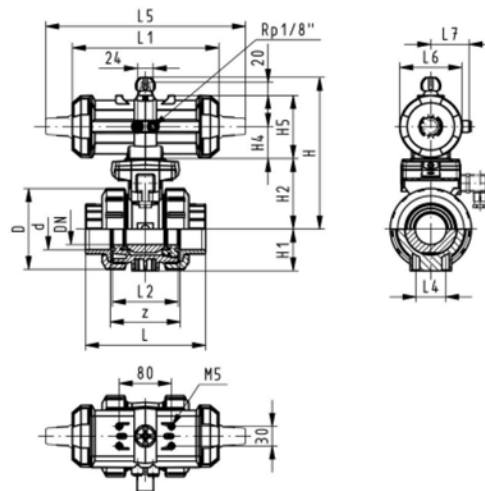
- Assignment of actuators PA11 (DN10/15-25), PA21 (DN32-50), PA30 (DN65), PA35 (DN80), PA40 (DN100)
- Image and drawing DN65-100 please see **New product ball valve DN65-100**
- For easy installation and removal
- Integrated stainless steel mounting inserts
- Control time 90° < 1-2 s

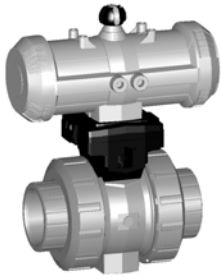
Option:

- Individual configuration of the valve (see form)

Inch	DN [mm]	PN	kv-value ($\Delta p=1$ bar) [l/min]	EPDM Code	kg
3/8	10	10	70	199 234 822	1.200
1/2	15	10	185	199 234 823	1.200
3/4	20	10	350	199 234 824	1.300
1	25	10	700	199 234 825	1.400
1 1/4	32	10	1000	199 234 826	2.500
1 1/2	40	10	1600	199 234 827	2.800
2	50	10	3100	199 234 828	3.700
 2 1/2	65	10	5000	199 234 829	3.900
 3	80	10	7000	199 234 830	4.700
 4	100	10	11000	199 234 831	6.700

Inch	D [mm]	H [mm]	H1 [mm]	H2 [mm]	H4 [mm]	H5 [mm]	L [mm]	L1 [mm]	L2 [mm]	L4 [mm]	L5 [mm]	L6 [mm]	L7 [mm]	z [mm]
3/8	50	167	27	62	40	97	92	194	56	25	261	76	48	60
1/2	50	167	27	62	40	97	95	194	56	25	261	76	48	60
3/4	58	176	30	71	40	97	110	194	65	25	261	76	48	69
1	68	176	36	71	40	97	123	194	71	25	261	76	48	75
1 1/4	84	210	44	84	51	115	146	224	85	45	305	95	59	89
1 1/2	97	210	51	84	51	115	157	224	89	45	305	95	59	97
2	124	232	64	106	51	115	183	224	101	45	305	95	59	110
 2 1/2	166	262	85	156		70	233	218	136	70	276	65		144
 3	200	281	105	168		78	254	259	141	70	341	72		151
 4	238	292	123	175		86	301	287	164	120	369	80		174





DN10/15 - 50

Ball valve type 234 ABS FO (Fail safe to open) Without manual override With solvent cement sockets Inch BS

Model:

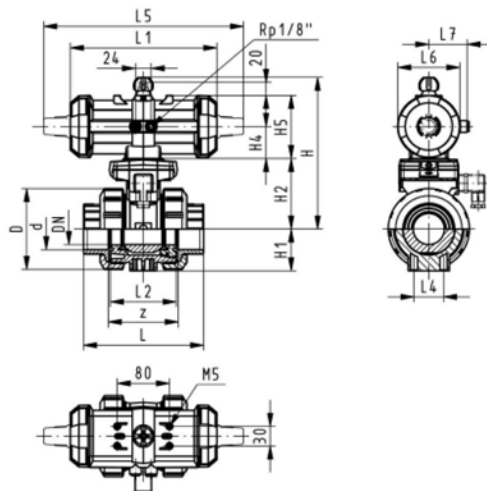
- Assignment of actuators PA11 (DN10/15-25), PA21 (DN32-50), PA30 (DN65), PA35 (DN80), PA40 (DN100)
- Image and drawing DN65-100 please see **New product ball valve DN65-100**
- For easy installation and removal
- Integrated stainless steel mounting inserts
- Control time $90^\circ <$) 1-2 s

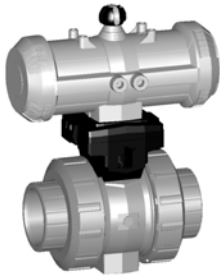
Option:

- Individual configuration of the valve (see form)

Inch	DN [mm]	PN	kv-value ($\Delta p=1$ bar) [l/min]	EPDM Code	kg
3/8	10	10	70	199 234 862	1.200
1/2	15	10	185	199 234 863	1.200
3/4	20	10	350	199 234 864	1.300
1	25	10	700	199 234 865	1.400
1 1/4	32	10	1000	199 234 866	2.500
1 1/2	40	10	1600	199 234 867	2.800
2	50	10	3100	199 234 868	3.700
2 1/2	65	10	5000	199 234 869	3.900
3	80	10	7000	199 234 870	4.700
4	100	10	11000	199 234 871	6.700

Inch	D [mm]	H [mm]	H1 [mm]	H2 [mm]	H4 [mm]	H5 [mm]	L [mm]	L1 [mm]	L2 [mm]	L4 [mm]	L5 [mm]	L6 [mm]	L7 [mm]	z [mm]
3/8	50	167	27	62	40	97	92	194	56	25	261	76	48	60
1/2	50	167	27	62	40	97	95	194	56	25	261	76	48	60
3/4	58	176	30	71	40	97	110	194	65	25	261	76	48	69
1	68	176	36	71	40	97	123	194	71	25	261	76	48	75
1 1/4	84	210	44	84	51	115	146	224	85	45	305	95	59	89
1 1/2	97	210	51	84	51	115	157	224	89	45	305	95	59	97
2	124	232	64	106	51	115	183	224	101	45	305	95	59	110
2 1/2	166	262	85	156		70	233	218	136	70	276	65		144
3	200	281	105	168		78	254	259	141	70	341	72		151
4	238	292	123	175		86	301	287	164	120	369	80		174





DN10/15 - 50




Ball valve type 234 ABS DA (Double acting) Without manual override With solvent cement sockets Inch BS




Model:

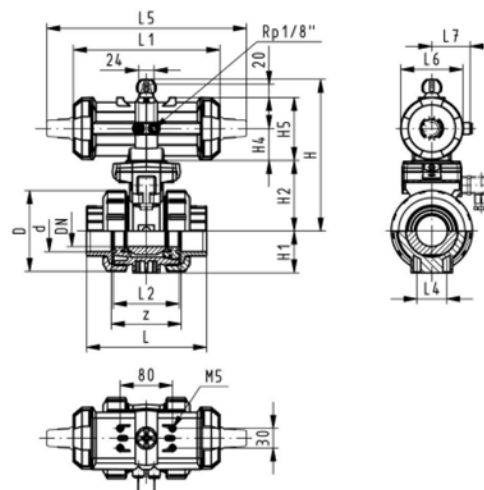
- Assignment of actuators: PA11 (DN10/15-25), PA21 (DN32-50), PA35 (DN65), PA40 (DN80), PA45 (DN100)
- Image and drawing DN65-100 please see **New product ball valve DN65-100**
- For easy installation and removal
- Integrated stainless steel mounting inserts
- Control time 90° < 1-2 s

Option:

- Individual configuration of the valve (see form)

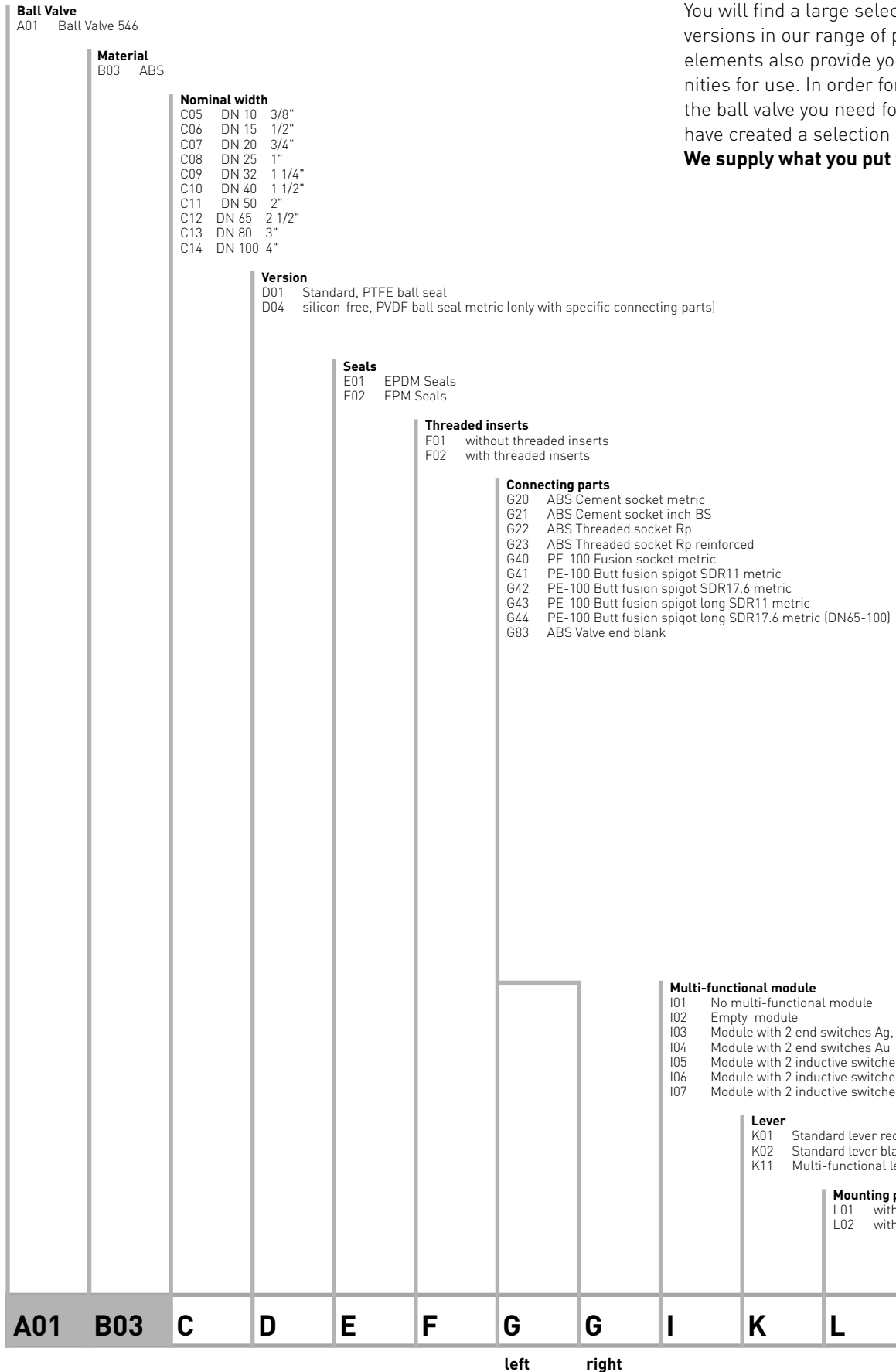
Inch	DN [mm]	PN	kv-value ($\Delta p=1$ bar) [l/min]	EPDM Code	kg
3/8	10	10	70	199 234 902	1.200
1/2	15	10	185	199 234 903	1.200
3/4	20	10	350	199 234 904	1.300
1	25	10	700	199 234 905	1.400
1 1/4	32	10	1000	199 234 906	2.500
1 1/2	40	10	1600	199 234 907	2.800
2	50	10	3100	199 234 908	3.700
 2 1/2	65	10	5000	199 234 909	2.800
 3	80	10	7000	199 234 910	4.000
 4	100	10	11000	199 234 911	4.900

Inch	D [mm]	H [mm]	H1 [mm]	H2 [mm]	H4 [mm]	H5 [mm]	L [mm]	L1 [mm]	L2 [mm]	L4 [mm]	L5 [mm]	L6 [mm]	L7 [mm]	z [mm]
3/8	50	167	27	62	40	97	92	194	56	25	261	76	48	60
1/2	50	167	27	62	40	97	95	194	56	25	261	76	48	60
3/4	58	176	30	71	40	97	110	194	65	25	261	76	48	69
1	68	176	36	71	40	97	123	194	71	25	261	76	48	75
1 1/4	84	210	44	84	51	115	146	224	85	45	305	95	59	89
1 1/2	97	210	51	84	51	115	157	224	89	45	305	95	59	97
2	124	232	64	106	51	115	183	224	101	45	305	95	59	110
 2 1/2	166	257	85	156		66	233	144	136	70	190	60		144
 3	200	274	105	168		70	254	152	141	70	198	65		151
 4	238	273	123	175		78	301	169	164	120	235	72		174



Copiable

Configurator GF ball valve type 546 ABS



You will find a large selection of different versions in our range of products. New system elements also provide you with new opportunities for use. In order for us to supply exactly the ball valve you need for you application, we have created a selection menu for you.

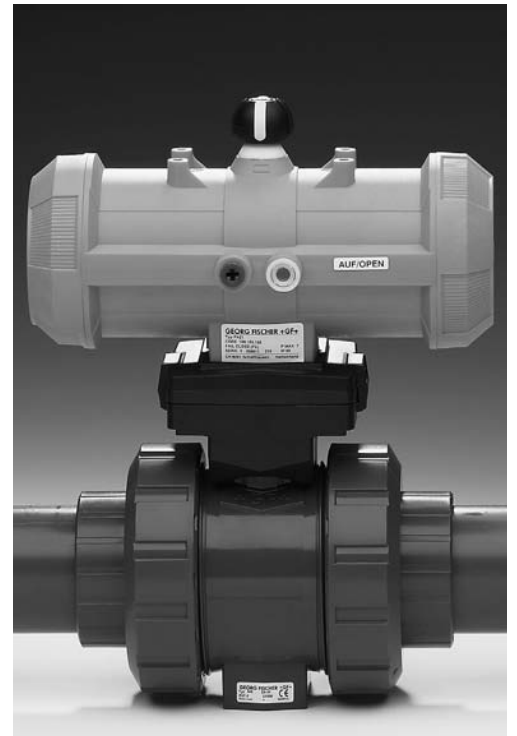
We supply what you put together.

Copiable GF ball valve type 546 with pneumatic actuator

It's so easy to configure the type 546:

With the configurator, you have a choice of new pneumatic actuators PA11 and PA21 in 2 optimized sizes including a large range of accessories.

We supply what you put together.



Pneumatic actuators PA11/PA21

- P01 Fail safe to close PA11/PA21
- P02 Fail safe to open PA11/21
- P03 Double acting PA11/21
- P30 Fail safe to close PA30/90
- P31 Fail safe to open PA30/90
- P32 Double acting PA30/90

Manual override

- Q01 without manual override
- Q02 with manual override

Stroke limiter

- R01 without stroke limiter
- R02 with stroke limiter

P	Q	R	
----------	----------	----------	--